

NOTES:

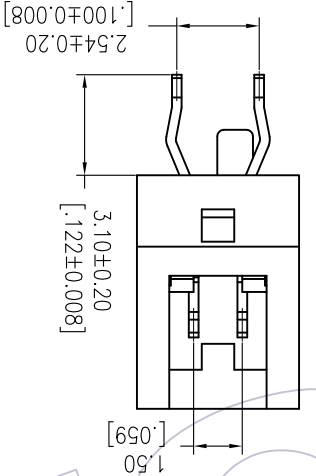
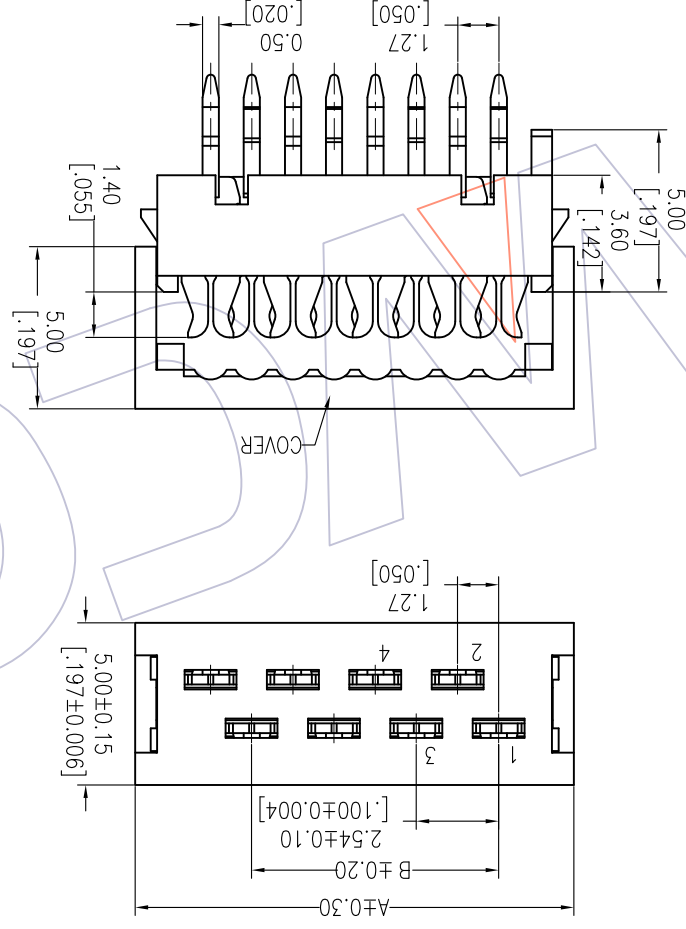
- Current Rating: 1.0AMP
- Contact Resistance: 20mΩ Max
- Withstand Voltage: 500V AC/DC
- Insulation Resistance: 1000MΩ Min
- Operation Temperature: -40°C to +105°C
- Contact Material: Phosphor Bronze
- Contact plating: Sn Over Ni
- Insulator Material: PBT+30%GF UL94V-0

## Ordering Information

3900-XX MX XX A N T 01

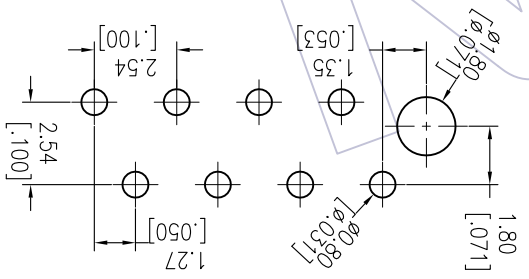
- No. of pins
- 04P 12P
- 06P 14P
- 08P 16P
- 10P 18P
- 20P

SN=Tin  
Contact Plating  
Packing  
T=Tube



Circuit	Part No.	Dimension		QTY
		A	B	
04	3900-04MISNANT01	8.45	2.54	69pcs
06	3900-06MISNANT01	10.99	5.08	53pcs
08	3900-08MISNANT01	13.53	7.62	43pcs
10	3900-10MISNANT01	16.07	10.16	36pcs
12	3900-12MISNANT01	18.61	12.70	31pcs
14	3900-14MISNANT01	21.15	15.24	27pcs
16	3900-16MISNANT01	23.69	17.78	24pcs
18	3900-18MISNANT01	26.23	20.32	22pcs
20	3900-20MISNANT01	28.77	22.86	20pcs

Recommended P.C.B Layout(Top Side)  
(PCB BOARD TOLERANCE  $\pm 0.05$ )



REV	DATE	MODIFICATION DESCRIPTION	CHANGE	DIM	TOL	APPROVE	DATE	PROJ.	Customer NO.	WCON-Dongguan	
										Angle	±
A0	2012/10/11	NEW	-----	X.XXX	±0.15					WCON-Kunshan	E-mail: sdies@wcon.com
A1	2014/05/28	Micro Match -- Mini Match	-----	X.XX	±0.25					WCON-Kunshan	E-mail: sdies@wcon.com
A2	2018/05/15	MINI MATCH--1.27mm MRC Connector	-----	X.X	±0.40					WCON-Kunshan	E-mail: sdies@wcon.com

OPERATION	DRAW	DATE	SCALE	FIT	PART NO.
	Ding	2018/05/15	mm		SEE TABLE
CHECK			A4		TITLE: 1.27mm MRC Connector DIP Plug
			1/1		



Http: www.wcon.com

## X-ON Electronics

Largest Supplier of Electrical and Electronic Components

*Click to view similar products for [Headers & Wire Housings](#) category:*

*Click to view products by [Wcon](#) manufacturer:*

Other Similar products are found below :

[95000-104TRLF](#) [10135584-644402LF](#) [DF62W-EP2022PCA](#) [95000-106TRLF](#) [DF62W-2022SCA](#) [DF62W-EP2022PC](#) [2203348](#) [DF62W-2022SC](#) [1084018](#) [1029039](#) [1084017](#) [802-10-012-10-002000](#) [1112640](#) [1112639](#) [891-007-9SS-BST1T](#) [000-34000](#) [0008550134](#) [0009482033](#) [0009507031](#) [57102-F02-18ULF](#) [57102-S06-03LF](#) [57202-S52-04LF](#) [PCN6-15S-2.5E](#) [0039019024](#) [58102-G61-06LF](#) [582553-1](#) [0009485154](#) [0009508121](#) [0022285053](#) [0050291907](#) [018731A](#) [LY20-4P-DT1-P1E-BR](#) [02.125.8002.8](#) [60101931](#) [60598-1 \(Cut Strip\)](#) [M1625-3R/100](#) [61062-3](#) [61082-181009](#) [CSU011177004](#) [636-1427](#) [638009-1](#) [641938-9](#) [641991-4](#) [644168-1](#) [644827-2](#) [647662-1](#) [65039-019ELF](#) [65692-001LF](#) [65781-018](#) [65781-047](#)