

# HSF

**NOTES:**

Current Rating: 3.0AMP  
 Contact Resistance: 20mΩ Max  
 Withstand Voltage: 1000V AC/DC  
 Insulation Resistance: 1000MΩ Min  
 Operation Temperature: -40°C to +105°C

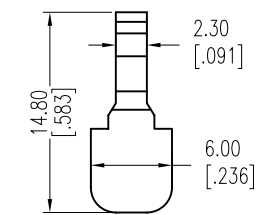
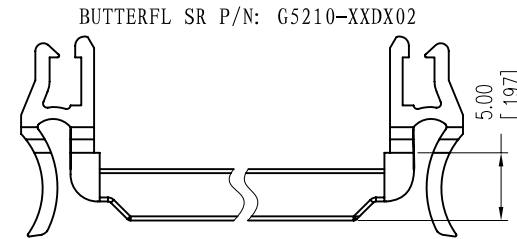
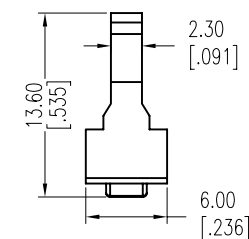
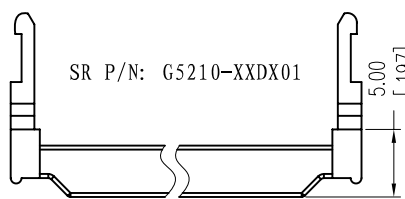
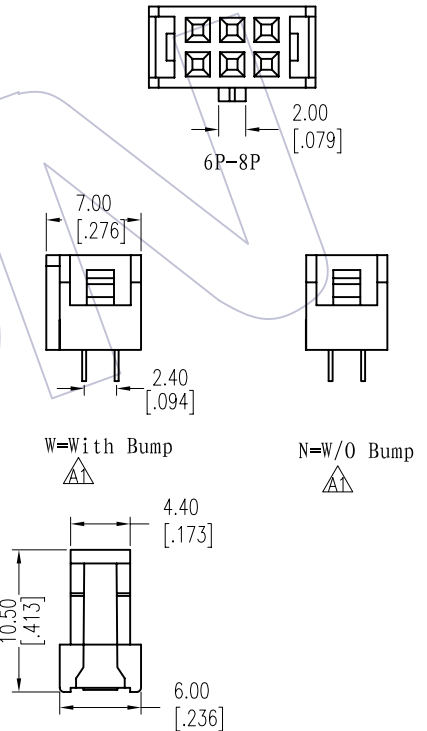
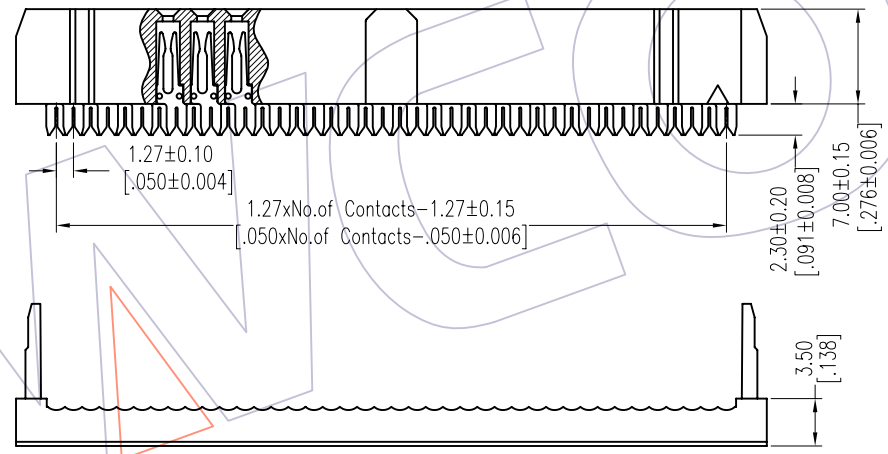
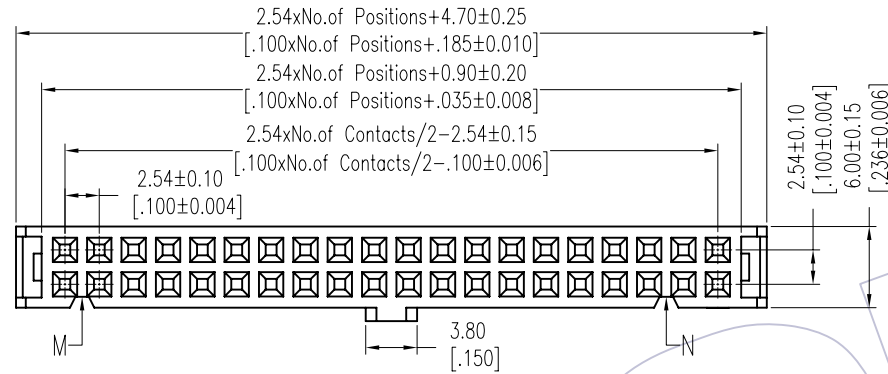
Contact Material: Phosphor Bronze Or Brass  
 Contact plating: Au Or Sn over Ni  
 Insulator Material: PBT+30%G.F UL94V-0

6P Without Slot "M" and "N"  
 8P-12P With Slot "M", Without Slot "N"  
 14P-64P With Slot "M" and "N"

## Ordering Information

**5211-XX D B XX B X 0 1**

Two Parts Conn+Cover	No. of Pins 06P 26P 08P 30P 10P 34P 12P 36P 14P 40P 16P 44P 18P 50P 20P 60P 22P 64P 24P	Contact Material B=Brass P=Phosphor Bronze	Contact Plating S0=Gold Flash/Ni S3=10u"Gold/Ni S4=15u"Gold/Ni S5=30u"Gold/Ni SN=Tin	Color Insulator B=Black G=Grey(427C)	Bump N=W/O Bump W=With Bump
----------------------	---	--	---	--	-----------------------------------



Item	Pitch	Mating
Standard	2.54	3110/3210
Alternate		

				OPERATION	DRAW	DATE	SCALE	FIT	PART NO.
				X.X ±0.40	JYHuang	2012/12/21	UNIT	mm	5211-XXDBXXB01
A1	2012/12/21		MODIFY	X.XX ±0.25	CHECK	DATE	SIZE	A4	TITLE:
AO	2012/10/11		NEW	X.XXX ±0.15	APPROVE	DATE	SHEET	1/1	2.54 IDC SOCKET+SR (BOTH SIDE CONTACT)
REV	DATE	MODIFICATION DESCRIPTION	CHANGE	Angle ± 3'			PROJ.		Customer NO.
				DIM TOL					

**WCON**  
 Http: www.wcon.com

WCON-Dongguan  
 Tel: +86 769 85358920  
 Fax: +86 769 85358915  
 E-mail: sales@wcon.com

WCON-Kunshan  
 Tel: +86 512 57468408  
 Fax: +86 512 57468468  
 E-mail: sales@wcon.com

## X-ON Electronics

Largest Supplier of Electrical and Electronic Components

*Click to view similar products for [I/O Connectors](#) category:*

*Click to view products by [Wcon](#) manufacturer:*

Other Similar products are found below :

[571763P](#) [61-168618-12P](#) [D20419-211](#) [72.250.1628.2](#) [72.250.2428.2](#) [76.350.0729.0](#) [76871-1403](#) [PCR-E36PM](#) [PCS-XE26LKA](#) [PCS-XES68MS+](#) [G38A71314B](#) [9776-18-6](#) [1571250010](#) [157-22500-3](#) [MS3471L14-19P L/C](#) [192991-0703](#) [91-644626-35P](#) [172501-6002](#) [FCN-260C008-A/L0](#) [FCN-260C024-AL0](#) [FCN-261Z008](#) [2000314-1](#) [200331-1](#) [PCS-E28FS+](#) [PCS-XE26SLFD+](#) [PCS-XE26SLFDT+](#) [G730VID08BDC24](#) [HDMR-29-01-S-SM-TR](#) [HDRA-E68W1LFDTC-SL+](#) [54182-0605](#) [UE86K842720321](#) [38113800006](#) [DP3AR020WQ1R200](#) [Z4.102.0680.0](#) [500-1040](#) [500-1052](#) [500-1054](#) [ZP-4008-66L](#) [10-565995-597N](#) [10-584459-12P](#) [5554841-1](#) [SM3106F14S-7S-LC](#) [SM3106R18-18S](#) [U90B3054061110](#) [U65-E04-4020](#) [ZPF000000000097891](#) [557-262M2-06C](#) [PCS-96LFD+](#) [60-042222-02S](#) [10099439-003C-TRLF](#)