

HSF

NOTES:
 Current Rating: 1.0AMP
 Contact Resistance: 20mΩ Max
 Withstand Voltage: 500V AC/DC
 Insulation Resistance: 1000MΩ Min
 Operation Temperature: -40°C to +105°C

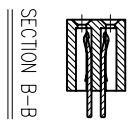
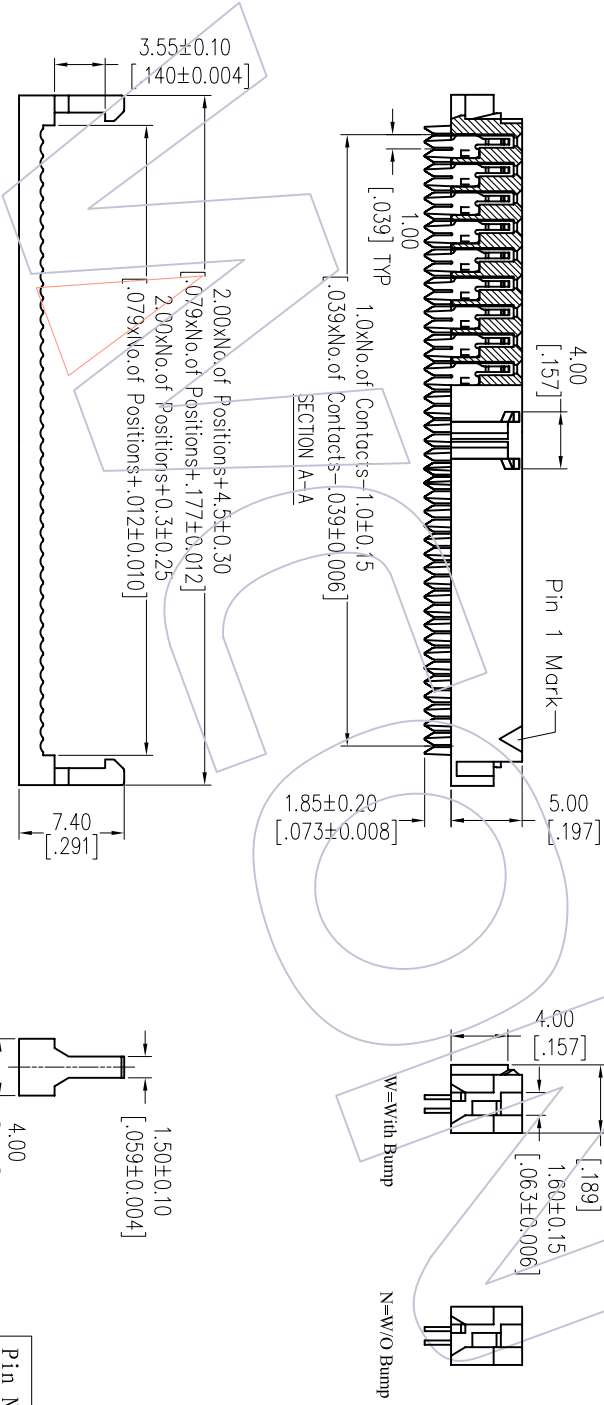
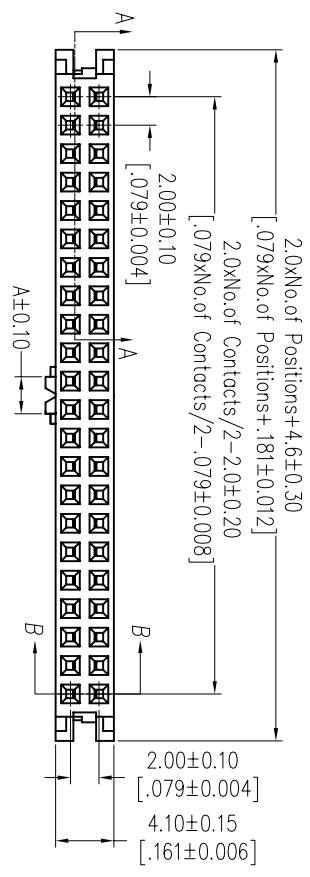
Contact Material: Phosphor Bronze
 Contact plating: Au Or Sn over Ni
 Insulator Material: PBT+30%G.F UL94V-0

Ordering Information

5224-XX YP XX B X 01

- | | | | |
|-------------|------------------|-----------------|-------------|
| No. of Pins | Contact Plating | Color Insulator | Bump |
| 06P 26P | S0=Gold Flash/Ni | B=Black | N=W/O Bump |
| 08P 30P | S3=10u"Gold/Ni | G=Grey(427C) | W=With Bump |
| 10P 34P | S4=15u"Gold/Ni | E=Grey(413C) | |
| 12P 36P | S5=30u"Gold/Ni | | |
| 14P 40P | SN=7m | | |
| 16P 44P | | | |
| 18P 50P | | | |
| 20P 60P | | | |
| 22P 64P | | | |
| 24P | | | |

Item	Pitch	Mating
Standard	2.00	3122
Alternate		



Pin No.	DIM "A"
8P ~ 64P	2.60
6P	2.00

REV	DATE	MODIFICATION DESCRIPTION
A0	2012/10/10	NEW

OPERATION	DRAW	DATE	SCALE	FIT
XX	JYhuang	2012/10/10	±0.40	mm
XX	CHECK	DATE	±0.25	A4
XXXX	APPROVE	DATE	±0.15	1/1
Angle	± 3'			
DIM	TOL			

PART NO.	5224-XXYPXXBX01
TITLE:	2.00 IDC SOCKET (F TYPE)
Customer NO.	

WCON

WCON-Dongguan
 Tel: +86 769 85358920
 Fax: +86 769 85358915
 E-mail: sales@wcon.com

WCON-Kunshan
 Tel: +86 512 57468408
 Fax: +86 512 57468468
 E-mail: sales@wcon.com

X-ON Electronics

Largest Supplier of Electrical and Electronic Components

Click to view similar products for [I/O Connectors](#) category:

Click to view products by [Wcon](#) manufacturer:

Other Similar products are found below :

[571763P](#) [D20419-211](#) [72.250.1628.2](#) [72.250.2428.2](#) [76.350.0729.0](#) [76871-1403](#) [PCR-E36PM](#) [PCS-XE26LKA](#) [PCS-XES68MS+](#)
[G38A71314B](#) [9776-18-6](#) [1571250010](#) [157-22500-3](#) [MS3471L14-19P L/C](#) [192991-0703](#) [91-644626-35P](#) [172501-6002](#) [FCN-260C008-A/L0](#)
[FCN-260C024-AL0](#) [FCN-261Z008](#) [2000314-1](#) [200331-1](#) [PCS-E28FS+](#) [PCS-XE26SLFD+](#) [PCS-XE26SLFDT+](#) [G730VID08BDC24](#) [HDMR-](#)
[29-01-S-SM-TR](#) [HDRA-E68W1LFDTC-SL+](#) [HDR-E14MSG1+](#) [54182-0605](#) [UE86K842720321](#) [38113800006](#) [DP3AR020WQ1R200](#)
[Z4.102.0680.0](#) [500-1040](#) [500-1052](#) [500-1054](#) [ZP-4008-66L](#) [10-565995-597N](#) [10-584459-12P](#) [5554841-1](#) [SM3106F14S-7S-LC](#)
[U90B3054061110](#) [U65-E04-4020](#) [ZPF000000000097891](#) [557-262M2-06C](#) [PCS-96LFD+](#) [60-042222-02S](#) [10099439-003C-TRLF](#) [226-0348-](#)
[000](#)