

# HSF

NOTES:  
 Current Rating: 1.0AMP  
 Contact Resistance: 20mΩ Max  
 Withstand Voltage: 500V AC/DC  
 Insulation Resistance: 1000MΩ Min  
 Operation Temperature: -40°C to +105°C

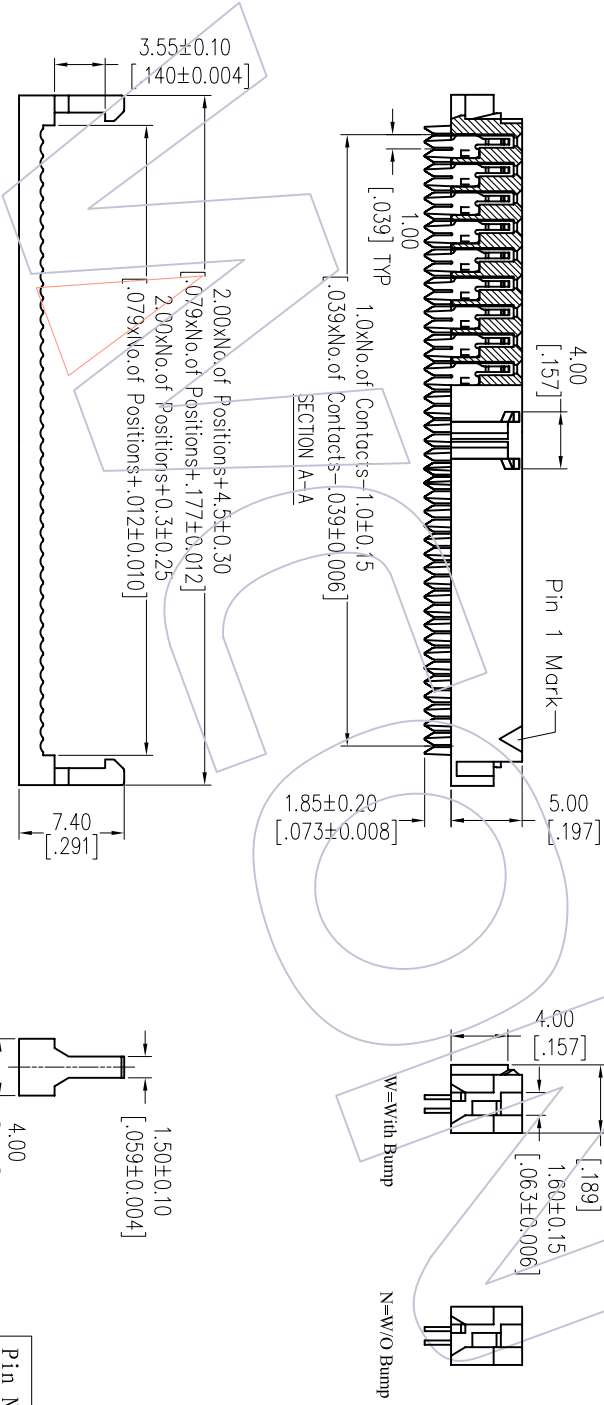
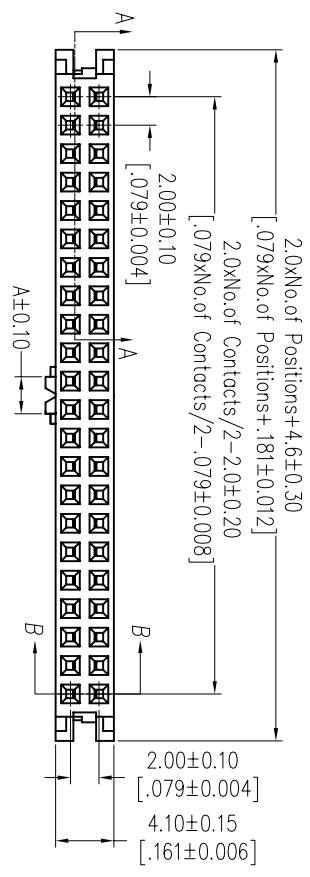
Contact Material: Phosphor Bronze  
 Contact plating: Au Or Sn over Ni  
 Insulator Material: PBT+30%G.F UL94V-0

## Ordering Information

5224-XX YP XX B X 01

- |             |                  |                 |                |
|-------------|------------------|-----------------|----------------|
| No. of Pins | Contact Plating  | Color Insulator | Bump           |
| 06P 26P     | S0=Gold Flash/Ni | B=Black         | N=Without Bump |
| 08P 30P     | S3=10u"Gold/Ni   | G=Grey(427C)    | W=With Bump    |
| 10P 34P     | S4=15u"Gold/Ni   | E=Grey(413C)    |                |
| 12P 36P     | S5=30u"Gold/Ni   |                 |                |
| 14P 40P     | SN=7m            |                 |                |
| 16P 44P     |                  |                 |                |
| 18P 50P     |                  |                 |                |
| 20P 60P     |                  |                 |                |
| 22P 64P     |                  |                 |                |
| 24P         |                  |                 |                |

Item	Pitch	Mating
Standard	2.00	3122
Alternate		



Pin No.	DIM "A"
8P~64P	2.60
6P	2.00

REV	DATE	MODIFICATION DESCRIPTION
A0	2012/10/10	NEW

OPERATION	DRAW	DATE	SCALE	FIT
XX	JYhuang	2012/10/10	UNIT	mm
XX	CHECK	DATE	SIZE	A4
XXXX	± 0.25	DATE	SHEET	1/1
Angle	± 0.15	DATE	PROJ.	
DIW	TOL	APPROVE	DATE	

PART NO.	5224-XXYPXXBX01
TITLE:	2.00 IDC SOCKET (F TYPE)
Customer NO.	

**WCON**

Http: www.wcon.com

WCON-Dongguan Tel: +86 769 85358920 Fax: +86 769 85358915 E-mail: sales@wcon.com	WCON-Kunshan Tel: +86 512 57468408 Fax: +86 512 57468468 E-mail: sales@wcon.com
---	--

## X-ON Electronics

Largest Supplier of Electrical and Electronic Components

*Click to view similar products for [wcon](#) manufacturer:*

Other Similar products are found below :

[2185-140SG0AYNT1](#) [1125-1206G0S155C002](#) [2263-205SG0DYNT6](#) [2185-207ZG0CYNT1](#) [2157-140SG0CYNT1](#) [1125-2212G0S280C001](#)  
[WF2543-1H03B01](#) [WF2543-1H04B01](#) [1220-1210G0M087P1](#) [WF2543-1H07B01](#) [2185DN1-205SG0CYNT1](#) [3622-S040-027G1R02](#) [2263-](#)  
[222RG0DYNT1](#) [1215-2114G0S076C002](#) [1325-1208G0Z093CT01](#) [1125-2208G0S360C001](#) [2220T-206MS0CUNT2](#) [3622-P040-038G1R02](#)  
[WF1501-WM09ER1](#) [1125-1206G0M113CR01](#) [WF2005-2H09W01](#) [6223-09FMNS0B02](#) [6212-26FHS0B01](#) [3220-20SW0BST1](#) [WF2005-](#)  
[WR02ET2](#) [2185DN2-106SG0CYNT1](#) [2185-240SG0AYNT1](#) [2111P-232SG0FYNT4](#) [3111-20MSNBK00R1](#) [1125-2205G0S210C001](#) [2185-](#)  
[208SS0CYNT1](#) [2159-213RG0CUNT1](#) [2263D-204SG0DYNT6](#) [2185-209SS1CYNT2](#) [2211-112MG0CYNR4](#) [2227T-204MG3CUNR1](#) [2185-](#)  
[210SG0CYNR1](#) [6212-26MHS0B01](#) [3610-S020-040G1R01](#) [WF3001-2WR03BA1](#) [WF1001A-WZ06ET1](#) [6321D-040SDS1PNT01](#) [2185-](#)  
[208SSNCYNT1](#) [6320D-040RDS1PNT01](#) [WF2547-2H06B01](#) [2135-207MH3CUNR3](#) [2243-211WG0CUNT2](#) [2185-104ZG0CYNR1](#) [2272-](#)  
[209RG0CUNT1](#) [WF2549-2WS10S0B01](#)