

HSF

NOTES:
 Current Rating: 1.0AMP
 Contact Resistance: 20mΩ Max
 Withstand Voltage: 500V AC/DC
 Insulation Resistance: 1000MΩ Min
 Operation Temperature: -40°C to +105°C

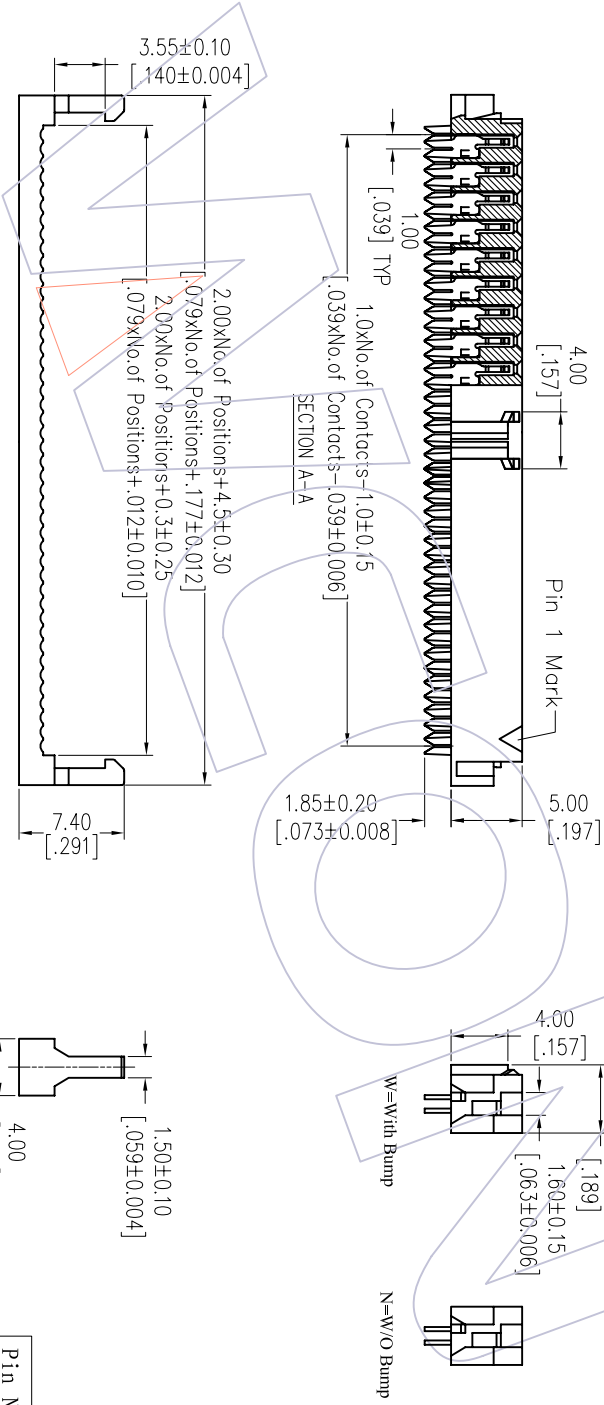
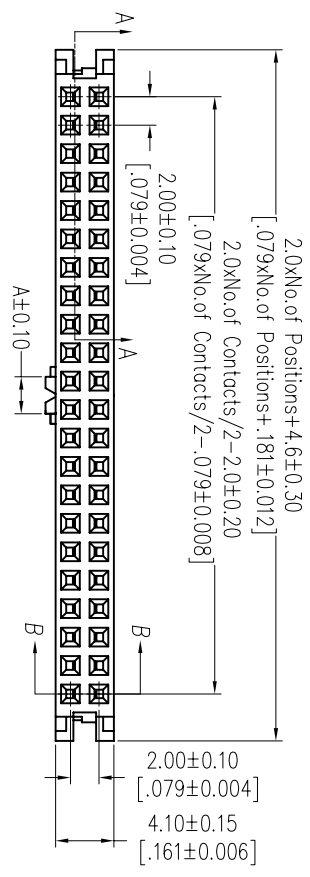
Contact Material: Phosphor Bronze
 Contact plating: Au Or Sn over Ni
 Insulator Material: PBT+30%G.F UL94V-0

Ordering Information

5224-XX YP XX B X 01

- | | | | |
|-------------|------------------|-----------------|----------------|
| No. of Pins | Contact Plating | Color Insulator | Bump |
| 06P 26P | S0=Gold Flash/Ni | B=Black | N=Without Bump |
| 08P 30P | S3=10u"Gold/Ni | G=Grey(427C) | W=With Bump |
| 10P 34P | S4=15u"Gold/Ni | E=Grey(413C) | |
| 12P 36P | S5=30u"Gold/Ni | | |
| 14P 40P | SN=7m | | |
| 16P 44P | | | |
| 18P 50P | | | |
| 20P 60P | | | |
| 22P 64P | | | |
| 24P | | | |

| | | |
|-----------|-------|--------|
| Item | Pitch | Mating |
| Standard | 2.00 | 3122 |
| Alternate | | |



| | |
|---------|---------|
| Pin No. | DIM "A" |
| 8P~64P | 2.60 |
| 6P | 2.00 |

| | | |
|-----|------------|--------------------------|
| REV | DATE | MODIFICATION DESCRIPTION |
| A0 | 2012/10/10 | NEW |

| | | | | |
|-----------|---------|------------|-------|-----|
| OPERATION | DRAW | DATE | SCALE | FIT |
| XX | JYhuang | 2012/10/10 | UNIT | mm |
| XX | CHECK | DATE | SIZE | A4 |
| XXXX | ±0.25 | | SHEET | 1/1 |
| Angle | ±0.15 | | PROJ. | |
| DIW | ± 3' | APPROVE | DATE | |
| CHANGE | | | | |

| | |
|--------------|--------------------------|
| PART NO. | 5224-XXYPXXBX01 |
| TITLE: | 2.00 IDC SOCKET (F TYPE) |
| Customer NO. | |

WCON

Http: www.wcon.com

| | |
|---|--|
| WCON-Dongguan Tel: +86 769 85358920 Fax: +86 769 85358915 E-mail: sales@wcon.com | WCON-Kunshan Tel: +86 512 57468408 Fax: +86 512 57468468 E-mail: sales@wcon.com |
|---|--|

X-ON Electronics

Largest Supplier of Electrical and Electronic Components

Click to view similar products for [wcon](#) manufacturer:

Other Similar products are found below :

[2185-140SG0AYNT1](#) [1125-1206G0S155C002](#) [2263-205SG0DYNT6](#) [2185-207ZG0CYNT1](#) [2157-140SG0CYNT1](#) [1125-2212G0S280C001](#)
[WF2543-1H03B01](#) [WF2543-1H04B01](#) [1220-1210G0M087P1](#) [WF2543-1H07B01](#) [2185DN1-205SG0CYNT1](#) [3622-S040-027G1R02](#) [2263-222RG0DYNT1](#) [1215-2114G0S076C002](#) [1325-1208G0Z093CT01](#) [1125-2208G0S360C001](#) [2220T-206MS0CUNT2](#) [3622-P040-038G1R02](#)
[WF1501-WM09ER1](#) [1125-1206G0M113CR01](#) [WF2005-2H09W01](#) [6223-09FMNS0B02](#) [6212-26FHS0B01](#) [3220-20SW0BST1](#) [WF2005-WR02ET2](#) [2185DN2-106SG0CYNT1](#) [2185-240SG0AYNT1](#) [2111P-232SG0FYNT4](#) [3111-20MSNBK00R1](#) [1125-2205G0S210C001](#) [2185-208SS0CYNT1](#) [2159-213RG0CUNT1](#) [2263D-204SG0DYNT6](#) [2185-209SS1CYNT2](#) [2211-112MG0CYNR4](#) [2227T-204MG3CUNR1](#) [2185-210SG0CYNR1](#) [6212-26MHS0B01](#) [3610-S020-040G1R01](#) [WF3001-2WR03BA1](#) [WF1001A-WZ06ET1](#) [6321D-040SDS1PNT01](#) [2185-208SSNCYNT1](#) [6320D-040RDS1PNT01](#) [WF2547-2H06B01](#) [2135-207MH3CUNR3](#) [2243-211WG0CUNT2](#) [2185-104ZG0CYNR1](#) [2272-209RG0CUNT1](#) [WF2549-2WS10S0B01](#)