

# HSF

NOTES:  
 Current Rating: 1.0AMP  
 Contact Resistance: 20mΩ Max  
 Withstand Voltage: 500V AC/DC  
 Insulation Resistance: 1000MΩ Min  
 Operation Temperature: -40°C to +105°C

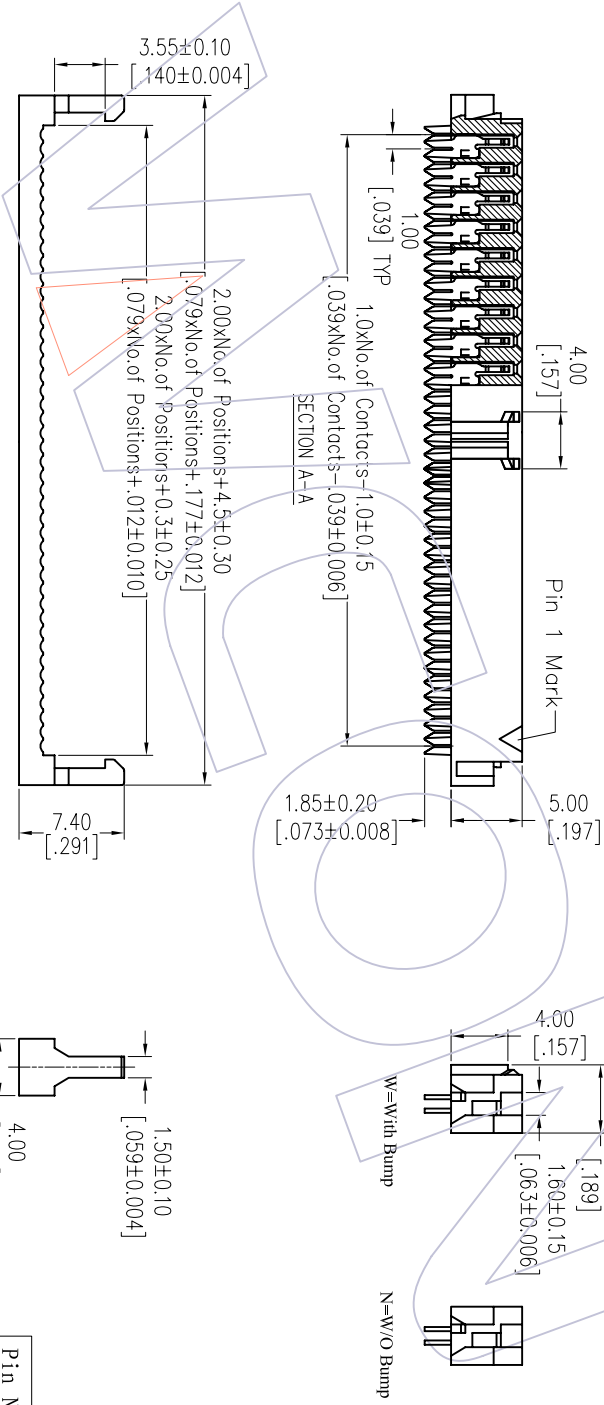
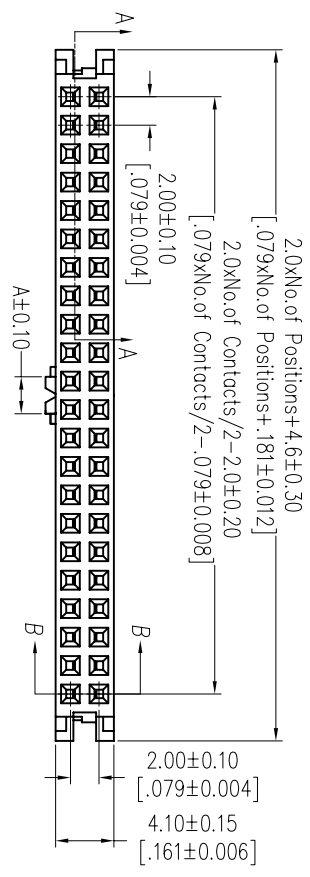
Contact Material: Phosphor Bronze  
 Contact plating: Au Or Sn over Ni  
 Insulator Material: PBT+30%G.F UL94V-0

## Ordering Information

5224-XX YP XX B X 01

- |             |                  |                 |                |
|-------------|------------------|-----------------|----------------|
| No. of Pins | Contact Plating  | Color Insulator | Bump           |
| 06P 26P     | S0=Gold Flash/Ni | B=Black         | N=Without Bump |
| 08P 30P     | S3=10u"Gold/Ni   | G=Grey(427C)    | W=With Bump    |
| 10P 34P     | S4=15u"Gold/Ni   | E=Grey(413C)    |                |
| 12P 36P     | S5=30u"Gold/Ni   |                 |                |
| 14P 40P     | SN=7m            |                 |                |
| 16P 44P     |                  |                 |                |
| 18P 50P     |                  |                 |                |
| 20P 60P     |                  |                 |                |
| 22P 64P     |                  |                 |                |
| 24P         |                  |                 |                |

Item	Pitch	Mating
Standard	2.00	3122
Alternate		



Pin No.	DIM "A"
8P~64P	2.60
6P	2.00

REV	DATE	MODIFICATION DESCRIPTION	CHANGE	DIM	TOL	APPROVE	DATE	SHEET	PROJ.	CUSTOMER NO.
A0	2012/10/10	NEW						1/1		
OPERATION		DRAW	DATE	SCALE	FIT	PART NO.	TITLE:			
XX		JYHuog	2012/10/10	±0.40	mm	5224-XXYPXXBX01	2.00 IDC SOCKET (F TYPE)			
CHECK		CHECK	DATE	SIZE	A4	Customer NO.				
X.XXX				±0.25						
X.XXX				±0.15						
Angle				± 3'						
WCON-Dongguan		Http: www.wcon.com		WCON-Kunshan						
Tel: +86 769 85358920		Tel: +86 512 57468408		Fax: +86 512 57468468						
Fax: +86 769 85358915		Fax: +86 512 57468468		E-mail: sales@wcon.com						
E-mail: sales@wcon.com		E-mail: sales@wcon.com		E-mail: sales@wcon.com						

# WCON

WCON-Dongguan  
 WCON-Kunshan

Tel: +86 769 85358920  
 Fax: +86 769 85358915  
 E-mail: sales@wcon.com

Tel: +86 512 57468408  
 Fax: +86 512 57468468  
 E-mail: sales@wcon.com

## X-ON Electronics

Largest Supplier of Electrical and Electronic Components

*Click to view similar products for [I/O Connectors](#) category:*

*Click to view products by [Wcon](#) manufacturer:*

Other Similar products are found below :

[571763P](#) [D20419-211](#) [72.250.1628.2](#) [72.250.2428.2](#) [76.350.0729.0](#) [76871-1403](#) [PCR-E36PM](#) [PCS-XE26LKA](#) [PCS-XES68MS+](#)  
[G38A71314B](#) [9776-18-6](#) [1571250010](#) [157-22500-3](#) [MS3471L14-19P L/C](#) [192991-0703](#) [91-644626-35P](#) [172501-6002](#) [FCN-260C008-A/L0](#)  
[FCN-260C024-AL0](#) [FCN-261Z008](#) [2000314-1](#) [200331-1](#) [PCS-E28FS+](#) [PCS-XE26SLFD+](#) [PCS-XE26SLFDT+](#) [G730VID08BDC24](#) [HDMR-](#)  
[29-01-S-SM-TR](#) [HDRA-E68W1LFDTC-SL+](#) [HDR-E14MSG1+](#) [54182-0605](#) [UE86K842720321](#) [38113800006](#) [DP3AR020WQ1R200](#)  
[Z4.102.0680.0](#) [500-1040](#) [500-1052](#) [500-1054](#) [ZP-4008-66L](#) [10-565995-597N](#) [10-584459-12P](#) [5554841-1](#) [SM3106F14S-7S-LC](#)  
[U90B3054061110](#) [U65-E04-4020](#) [ZPF000000000097891](#) [557-262M2-06C](#) [PCS-96LFD+](#) [60-042222-02S](#) [10099439-003C-TRLF](#) [226-0348-](#)  
[000](#)