



**NOTES:**

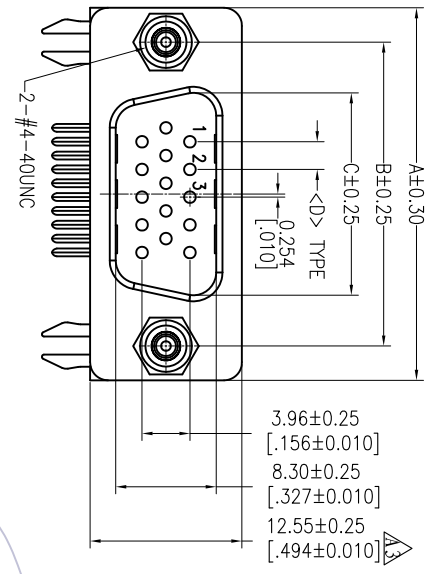
- Rated Current: 3.0AMP
- Contact Resistance: 30mΩ max
- Withstand Voltage: 500V AC
- Insulation Resistance: 1000MΩ min
- Operation Temperature: -55°C to +105°C
- Contact Material: Brass
- Contact Plating: Au or Sn Over Ni
- Insulator Material: PBT+30%G.F UL94V-0
- Sheet: Steel, Ni Plated
- Revit/Harpoon: Brass, Sn Over Ni Plated
- Screw: Brass, Ni Plated

## Ordering Information

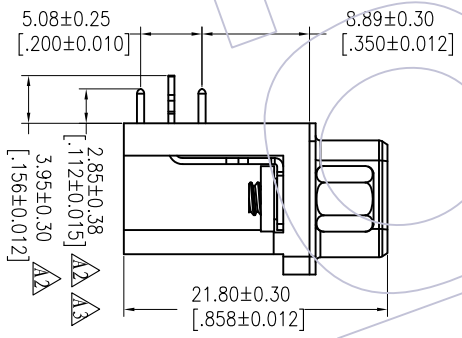
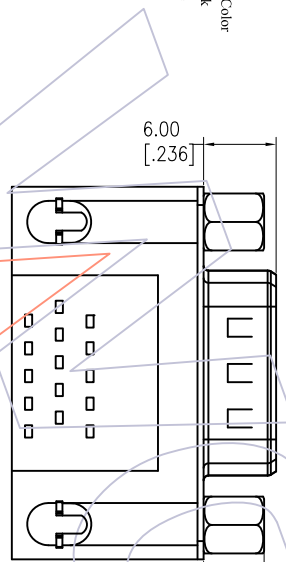
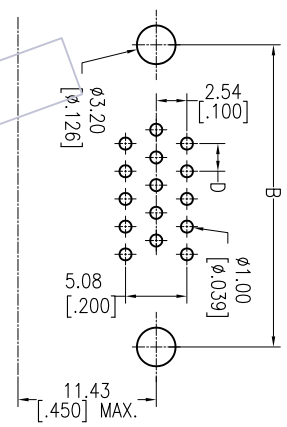
6213-XX M X N XX B 01

No. of Pins	Product Type	Contact Plating	Insulator Color
15, 36, 44, 62P	W=With Revit M=With Screw S=No Revit H=With Revit With Screw(Dont lock)	SP=Gold Flash/Tin S3=10u"Gold/Tin S4=15u"Gold/Tin S5=30u"Gold/Tin SN=11m	B=Black U=Blue

PINS	DIM "A"	DIM "B"	DIM "C"	DIM "D"
15	30.80	24.99	16.92	2.29
26	39.20	33.32	25.38	2.29
44	53.10	47.04	39.10	2.29
62	70.00	63.50	55.45	2.41



Recommended P.C.B Layout(Top Side)  
(PCB BOARD TOLERANCE±0.05)



6213-XXMWNXXB01

6213-XXMMNXXB01

6213-XXMSNXXB01

6213-XXMHNXXB01



REV	DATE	MODIFICATION DESCRIPTION	CHANGE	OPERATION	DRAW	DATE	SCALE	FIT	PART NO.	TITLE:	WCON-Dongguan	WCON-Kunshan
A3	2014/06/03	Modify	△	OPERATION	Draw	2014/06/03	SCALE	FIT	6213-XXMWNXXB01	High density connector right angle male	Http: www.wcon.com	
A2	2014/03/31	Modify	△	XX	Allen		UNIT	mm				
A1	2013/02/19	ADD NEW TYPE	△	XXX	CHECK		SIZE	A4				
A0	2012/12/05	NEW	---	X,XXX	±0.15		SHEET	1/1		8.89mm footprint right angle type	Tel: +86 769 85358920	Tel: +86 512 57468408
				Angle	± 3°		PROJ.			Customer NO.	Fax: +86 769 85358915	Fax: +86 512 57468468
				DIM	TOL						E-mail: sales@wcon.com	E-mail: sales@wcon.com



WCON-Dongguan  
Tel: +86 769 85358920  
Fax: +86 769 85358915  
E-mail: sales@wcon.com

WCON-Kunshan  
Tel: +86 512 57468408  
Fax: +86 512 57468468  
E-mail: sales@wcon.com

## X-ON Electronics

Largest Supplier of Electrical and Electronic Components

*Click to view similar products for [wcon](#) manufacturer:*

Other Similar products are found below :

[2185-140SG0AYNT1](#) [1125-1206G0S155C002](#) [2263-205SG0DYNT6](#) [2185-207ZG0CYNT1](#) [2157-140SG0CYNT1](#) [1125-2212G0S280C001](#)  
[WF2543-1H03B01](#) [WF2543-1H04B01](#) [1220-1210G0M087P1](#) [WF2543-1H07B01](#) [2185DN1-205SG0CYNT1](#) [3622-S040-027G1R02](#) [2263-222RG0DYNT1](#) [1215-2114G0S076C002](#) [1325-1208G0Z093CT01](#) [1125-2208G0S360C001](#) [2220T-206MS0CUNT2](#) [3622-P040-038G1R02](#)  
[WF1501-WM09ER1](#) [1125-1206G0M113CR01](#) [WF2005-2H09W01](#) [6223-09FMNS0B02](#) [6212-26FHS0B01](#) [3220-20SW0BST1](#) [WF2005-WR02ET2](#) [2185DN2-106SG0CYNT1](#) [2185-240SG0AYNT1](#) [2111P-232SG0FYNT4](#) [3111-20MSNBK00R1](#) [1125-2205G0S210C001](#) [2185-208SS0CYNT1](#) [2159-213RG0CUNT1](#) [2263D-204SG0DYNT6](#) [2185-209SS1CYNT2](#) [2211-112MG0CYNR4](#) [2227T-204MG3CUNR1](#) [2185-210SG0CYNR1](#) [6212-26MHS0B01](#) [3610-S020-040G1R01](#) [WF3001-2WR03BA1](#) [WF1001A-WZ06ET1](#) [6321D-040SDS1PNT01](#) [2185-208SSNCYNT1](#) [6320D-040RDS1PNT01](#) [WF2547-2H06B01](#) [2135-207MH3CUNR3](#) [2243-211WG0CUNT2](#) [2185-104ZG0CYNR1](#) [2272-209RG0CUNT1](#) [WF2549-2WS10S0B01](#)