

NOTES:

Current Rating: 3.0AMP  
 Contact Resistance: 30mΩ Max  
 Withstand Voltage: 500V AC/DC  
 Insulation Resistance: 1000MΩ Min  
 Operation Temperature: -55°C to +105°C

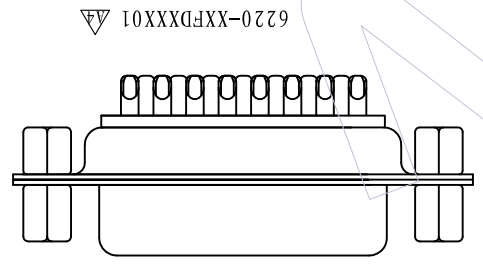
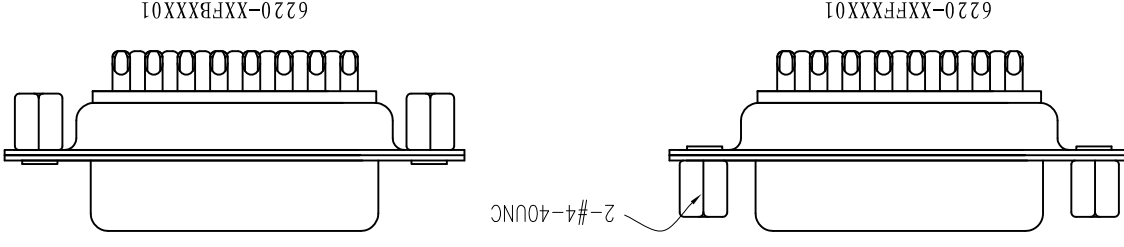
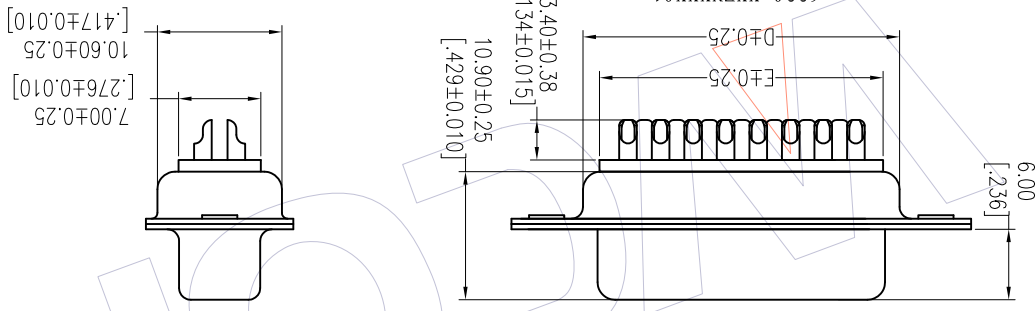
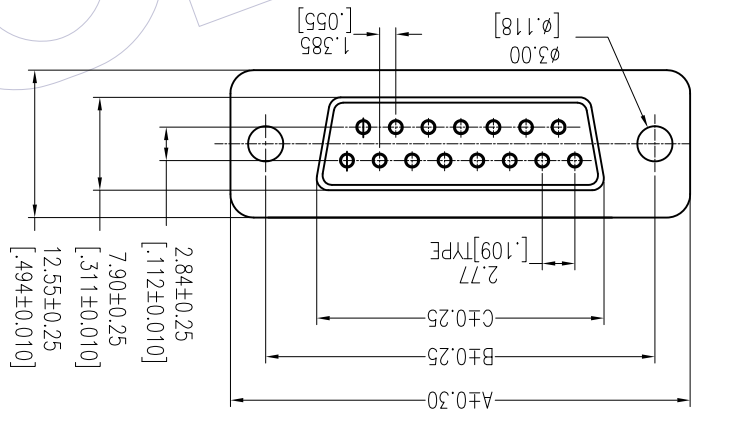
Contact Material: Brass  
 Contact plating: Au Or Sn over Ni  
 Insulator Material: BT+30%GF UL94V-0  
 Shell: Steel, Sn Or Ni Plated  
 Nut: Brass, Sn over Ni Plated

## Ordering Information

6220-XX F X XX X 01

No. of Pins Type  
 9P B=With Back Nut S0=Gold Flash/Tin B:Black  
 15P F=With Front Nut S3=10u"Gold/Tin U:Blue  
 37P N=Without Nut S4=15u"Gold/Tin W:White  
 D=With Front Screw&Back Nut S5=30u"Gold/Tin SN=Tin

PINS	DIM "A"	DIM "B"	DIM "C"	DIM "D"	DIM "E"
09	30.81	24.99	16.33	19.28	15.60
15	39.14	33.32	24.66	27.65	24.60
25	53.04	47.04	38.38	41.30	37.70
37	69.32	63.50	54.84	57.44	54.50



REV	DATE	MODIFICATION DESCRIPTION	CHANGE	OPERATION		DRAW	DATE	SCALE	FIT	PART NO.	TITLE:	Customer NO.		PROJ.
				OPERATION	DATE							DATE	APPROVE	
A4	2015/04/14	Add the Type	▽	X.X	±0.40	Allen	2015/04/14			6220-XXFNXXX01	D-SUB FEMALE DUAL ROW	WCON-Dongguan	WCON-Kunshan	
A3	2014/06/18	Modify The DIM 25.25 to 24.66	▽	X.XX	±0.25						SOLDER TYPE	WCON-Dongguan	WCON-Kunshan	
A2	2014/06/06	Modify	▽	X.XXX	±0.15							WCON-Dongguan	WCON-Kunshan	
A0	2012/12/03	NEW	---	Angle	±.3							WCON-Dongguan	WCON-Kunshan	

**WCON**  
 Http://www.wcon.com

WCON-Dongguan  
 Tel: +86 769 85358920  
 Fax: +86 769 85358915  
 E-mail: sdies@wcon.com

WCON-Kunshan  
 Tel: +86 512 57468408  
 Fax: +86 512 57468468  
 E-mail: sdiesks@wcon.com

## X-ON Electronics

Largest Supplier of Electrical and Electronic Components

*Click to view similar products for [wcon](#) manufacturer:*

Other Similar products are found below :

[2185-140SG0AYNT1](#) [1125-1206G0S155C002](#) [2263-205SG0DYNT6](#) [2185-207ZG0CYNT1](#) [2157-140SG0CYNT1](#) [1125-2212G0S280C001](#)  
[WF2543-1H03B01](#) [WF2543-1H04B01](#) [1220-1210G0M087P1](#) [WF2543-1H07B01](#) [2185DN1-205SG0CYNT1](#) [3622-S040-027G1R02](#) [2263-222RG0DYNT1](#) [1215-2114G0S076C002](#) [1325-1208G0Z093CT01](#) [1125-2208G0S360C001](#) [2220T-206MS0CUNT2](#) [3622-P040-038G1R02](#)  
[WF1501-WM09ER1](#) [1125-1206G0M113CR01](#) [WF2005-2H09W01](#) [6223-09FMNS0B02](#) [6212-26FHS0B01](#) [3220-20SW0BST1](#) [WF2005-WR02ET2](#) [2185DN2-106SG0CYNT1](#) [2185-240SG0AYNT1](#) [2111P-232SG0FYNT4](#) [3111-20MSNBK00R1](#) [1125-2205G0S210C001](#) [2185-208SS0CYNT1](#) [2159-213RG0CUNT1](#) [2263D-204SG0DYNT6](#) [2185-209SS1CYNT2](#) [2211-112MG0CYNR4](#) [2227T-204MG3CUNR1](#) [2185-210SG0CYNR1](#) [6212-26MHS0B01](#) [3610-S020-040G1R01](#) [WF3001-2WR03BA1](#) [WF1001A-WZ06ET1](#) [6321D-040SDS1PNT01](#) [2185-208SSNCYNT1](#) [6320D-040RDS1PNT01](#) [WF2547-2H06B01](#) [2135-207MH3CUNR3](#) [2243-211WG0CUNT2](#) [2185-104ZG0CYNR1](#) [2272-209RG0CUNT1](#) [WF2549-2WS10S0B01](#)