

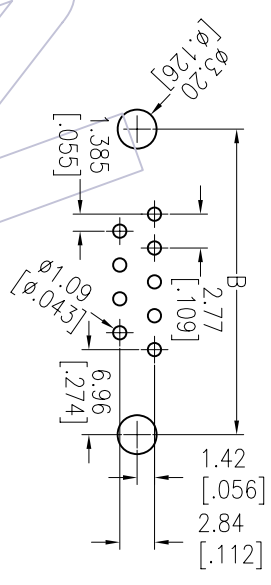
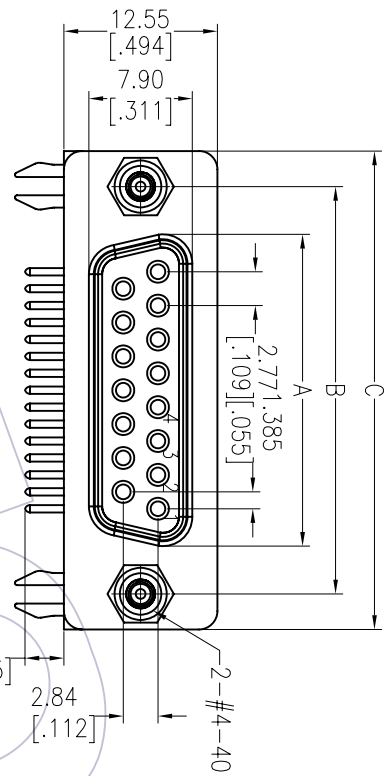
HSF

Recommended P.C.B Layout(Top Side)
(PCB BOARD TOLERANCE±0.05)

NOTES:

Current Rating: 3.0AMP
 Contact Resistance: 25mΩ Max
 Withstand Voltage: 500V AC/DC
 Insulation Resistance: 1000MΩ Min
 Operation Temperature: -55°C to +105°C

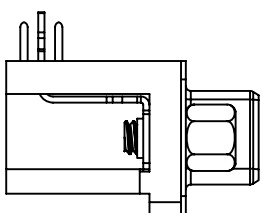
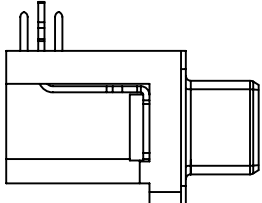
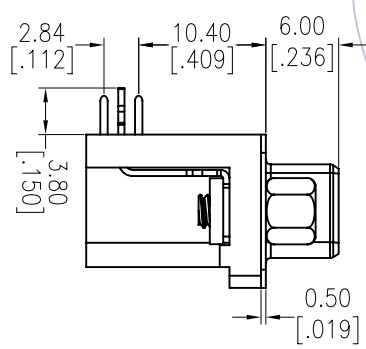
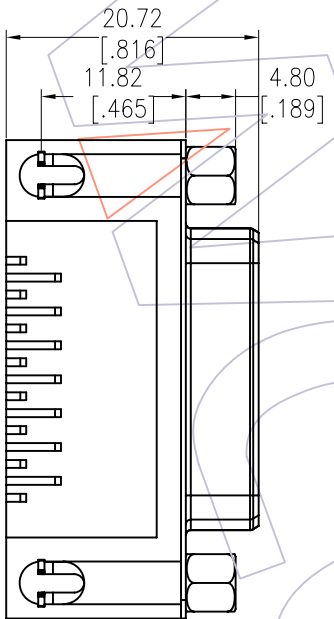
Contact Material: Brass
 Contact plating: Au Or Sn over Ni
 Insulator Material: PBT+30%G.F UL94V-0
 Sheet: Cold Roller Steel, Ni Plated
 Revit: Brass, Sn Over Ni Plated
 Screw: Brass, Ni Plated



Ordering Information

6223B-XX F X N XX B 01

No. of Pins 09, 15, 25, 37P
 Product Type W=With Revit With Screw
 Contact Plating S0=Gold Flash/Tin B:Black
 Insulator Color S3=10u"Gold/Tin U:Blue
 M=With Revit Without Screw
 S4=15u"Gold/Tin S5=30u"Gold/Tin
 S=No Revit SN=Tin
 Lock With Screw



No. of Positions	DIM "A"	DIM "B"	DIM "C"
09	16.30	24.99	30.81
15	24.66	33.32	39.14
25	38.38	47.04	53.04
37	54.83	63.50	69.32

REV	DATE	MODIFICATION DESCRIPTION	CHANGE	OPERATION	DRAW	DATE	SCALE	FIT	PART NO.	TITLE:	Customer NO.	WCON-Dongguan	WCON-Kunshan
A0	2012/12/06	NEW		XX	JYHuang	2012/12/06	mm	A4	6223B-XXFXNXXB01	D-SUB FEMALE CONNECTOR		Tel: +86 769 85358920	Tel: +86 512 57468408
				X.XXX	CHECK	DATE	1/1			P00TRINT RIGHT ANGLE TYPE		Fax: +86 769 85358915	Fax: +86 512 57468468
				X.XXX	APPROVE	DATE						E-mail: sdles@wcon.com	E-mail: sdles@wcon.com
				Angle									
				± 3'									

WCON

Http: www.wcon.com

WCON-Dongguan
 Tel: +86 769 85358920
 Fax: +86 769 85358915
 E-mail: sdles@wcon.com

WCON-Kunshan
 Tel: +86 512 57468408
 Fax: +86 512 57468468
 E-mail: sdles@wcon.com

X-ON Electronics

Largest Supplier of Electrical and Electronic Components

Click to view similar products for [wcon](#) manufacturer:

Other Similar products are found below :

[2185-140SG0AYNT1](#) [1125-1206G0S155C002](#) [2263-205SG0DYNT6](#) [2185-207ZG0CYNT1](#) [2157-140SG0CYNT1](#) [1125-2212G0S280C001](#)
[WF2543-1H03B01](#) [WF2543-1H04B01](#) [1220-1210G0M087P1](#) [WF2543-1H07B01](#) [2185DN1-205SG0CYNT1](#) [3622-S040-027G1R02](#) [2263-222RG0DYNT1](#) [1215-2114G0S076C002](#) [1325-1208G0Z093CT01](#) [1125-2208G0S360C001](#) [2220T-206MS0CUNT2](#) [3622-P040-038G1R02](#)
[WF1501-WM09ER1](#) [1125-1206G0M113CR01](#) [WF2005-2H09W01](#) [6223-09FMNS0B02](#) [6212-26FHS0B01](#) [3220-20SW0BST1](#) [WF2005-WR02ET2](#) [2185DN2-106SG0CYNT1](#) [2185-240SG0AYNT1](#) [2111P-232SG0FYNT4](#) [3111-20MSNBK00R1](#) [1125-2205G0S210C001](#) [2185-208SS0CYNT1](#) [2159-213RG0CUNT1](#) [2263D-204SG0DYNT6](#) [2185-209SS1CYNT2](#) [2211-112MG0CYNR4](#) [2227T-204MG3CUNR1](#) [2185-210SG0CYNR1](#) [6212-26MHS0B01](#) [3610-S020-040G1R01](#) [WF3001-2WR03BA1](#) [WF1001A-WZ06ET1](#) [6321D-040SDS1PNT01](#) [2185-208SSNCYNT1](#) [6320D-040RDS1PNT01](#) [WF2547-2H06B01](#) [2135-207MH3CUNR3](#) [2243-211WG0CUNT2](#) [2185-104ZG0CYNR1](#) [2272-209RG0CUNT1](#) [WF2549-2WS10S0B01](#)