

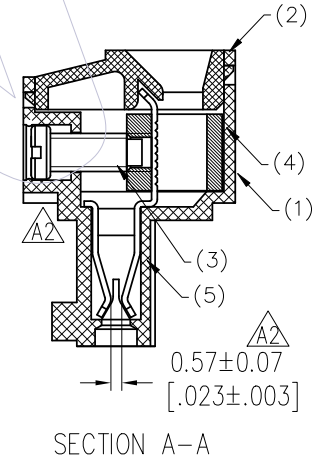
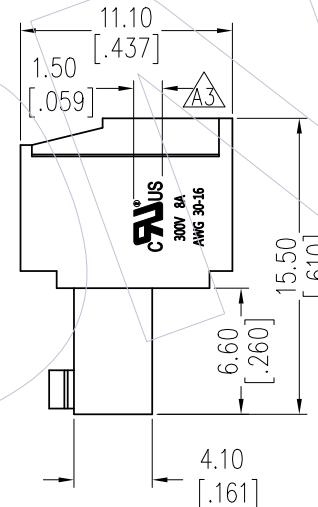
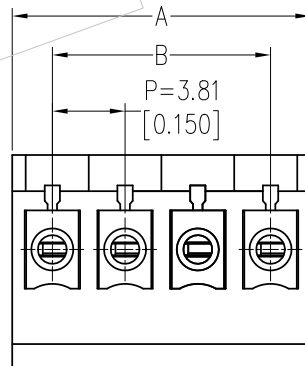
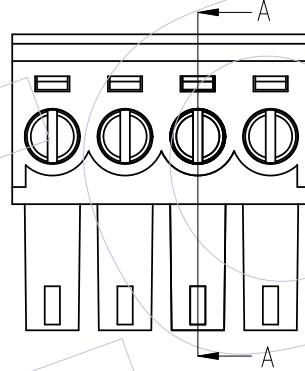
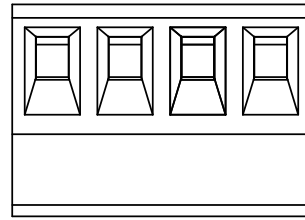
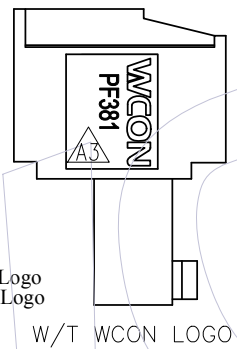
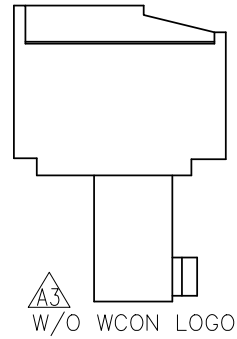
HSF

NOTES:
 Current Rating: 8A
 Voltage Rating: 300V
 Contact Resistance: 8milliohm Max
 Withstand Voltage: AC 1500V
 Insulation Resistance: 1000Megohm Min
 Screw Torque: 2 lbf.in
 Wire range: 16-30AWG
 Operation Temperature: -40°C to +105°C

Ordering Information:

P F 381 - C XX A SM N 1 N

F=Female Pitch 381=3.81
 No. of Pins 02-20P
 Contact Plated SM=Matte Tin
 Color A=Green N=Without
 Type Two Side Screw
 Blank=W/T WCON Logo
 N=W/O WCON Logo



11P	42.30 ±0.30	38.10 ±0.30			
10P	38.49 ±0.30	34.29 ±0.30	20P	76.59 ±0.40	72.39 ±0.40
9P	34.68 ±0.30	30.48 ±0.30	19P	72.78 ±0.40	68.58 ±0.40
8P	30.87 ±0.20	26.67 ±0.20	18P	68.97 ±0.40	64.77 ±0.40
7P	27.06 ±0.20	22.86 ±0.20	17P	65.16 ±0.40	60.96 ±0.40
6P	23.25 ±0.20	19.05 ±0.20	16P	61.35 ±0.40	57.15 ±0.40
5P	19.44 ±0.20	15.24 ±0.20	15P	57.54 ±0.40	53.34 ±0.40
4P	15.63 ±0.20	11.43 ±0.20	14P	53.73 ±0.30	49.53 ±0.30
3P	11.82 ±0.20	7.62 ±0.20	13P	49.92 ±0.30	45.72 ±0.30
2P	8.01 ±0.20	3.81 ±0.10	12P	46.11 ±0.30	41.91 ±0.30
位数	A	B	位数	A	B

ITEM	TITLE	P/N	Q'TY	Material
(5)	Contact	TPT031-PSM001	N	C5191R-H T=0.3mm
(4)	Pin Block	BL020-1BNI01	N	C3604
(3)	Screw	MA020-1SXX01	N	C1018
(2)	Cover	XPC381-XXB1XN1	1	PA66 UL94-V0
(1)	Housing	XPF381-XXB1XN1(N)	1	PA66 UL94-V0

REV	DATE	MODIFICATION DESCRIPTION	CHANGE	OPERATION	DRAW	DATE	SCALE	FIT	PART NO.
A3	2020/07/28	ADD LOGO; ADD W/O LOGO P/N	A3	XSR	XSR	2020/07/28	UNIT	mm	PF381-CXXASMN1(N) A3
A2	2018/04/12	Modify Terminal ; Add DIM.	A2	XSR	XSR		SIZE	inch	
A1	2015/07/15	Modify	A1	XSR	XSR		SHEET	1/1	3.81mm Pitch Female Pluggable Terminal Blocks
AO	2012/05/14	NEW					PROJ.		Customer NO.
				Angle	APPROVE	DATE			
				DIM					
				TOL					

WCON
 Http: www.wcon.com

WCON-Dongguan
 Tel: +86 769 85358920
 Fax: +86 769 85358915
 E-mail: sales@wcon.com

WCON-Kunshan
 Tel: +86 512 57468408
 Fax: +86 512 57468468
 E-mail: salesks@wcon.com

X-ON Electronics

Largest Supplier of Electrical and Electronic Components

Click to view similar products for [Pluggable Terminal Blocks](#) category:

Click to view products by [Wcon](#) manufacturer:

Other Similar products are found below :

[57.510.0053](#) [MC 1.5/ 6-ST-3.5 GY AU](#) [ET02015000J0G](#) [734-104](#) [734-302](#) [860505](#) [860516](#) [860810](#) [GBPACX-12](#) [93.731.4953.0](#) [PV05-5,08-K](#) [PVP03-3,50](#) [PVP04-3,50](#) [PVS02-5,00](#) [1-1986160-3](#) [1377680000](#) [1531000000](#) [1546228-5](#) [ELFP03110](#) [ELFT07250](#) [ELVD12100](#) [ELVF09400](#) [ELVP03100](#) [ELXH071G0E](#) [1700410](#) [1702246](#) [1705229](#) [1714537](#) [1717806](#) [1719600](#) [1728941](#) [1734692](#) [1734795](#) [1740291](#) [1740628](#) [1746952](#) [1750207](#) [1752865](#) [1754115](#) [1754144](#) [1756913](#) [1760051](#) [1760336](#) [1765111](#) [1776388](#) [1777701](#) [1783410](#) [1800227](#) [1801080](#) [1809474](#)