

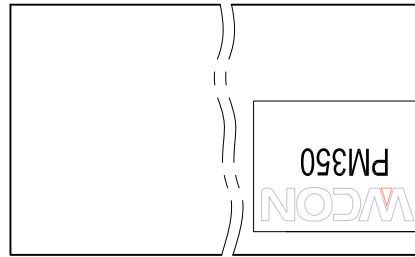
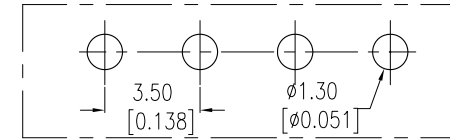
# HSF

**NOTES:**

Current Rating:8A  
 Voltage Rating:300V  
 Contact Resistance:8milliohm Max  
 Withstand Voltage:AC2000V  
 Insulation Resistance:1000Megohm Min  
 Operation Temperature:-40°C to +105°C

Housing Material:PA66+30%GF(UL94V-0)  $\Delta 3$   
 Contact Material:Brass

Recommended P.C.B Layout (Top Side)  
 (PCB BOARD TOLERANCE $\pm 0.05$ )

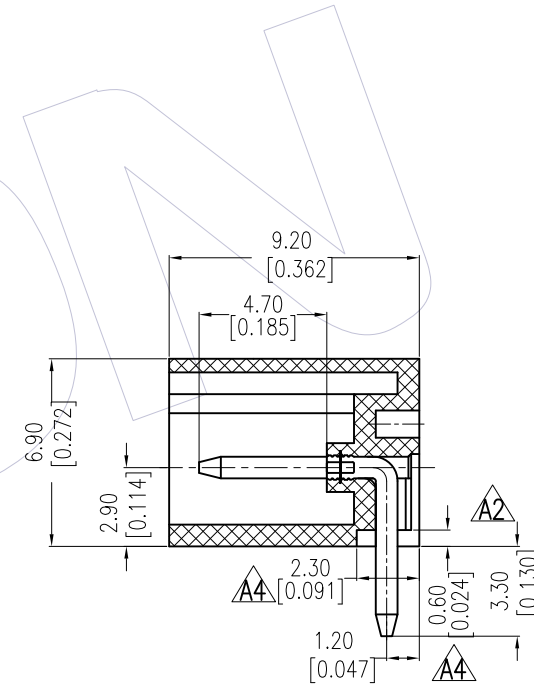
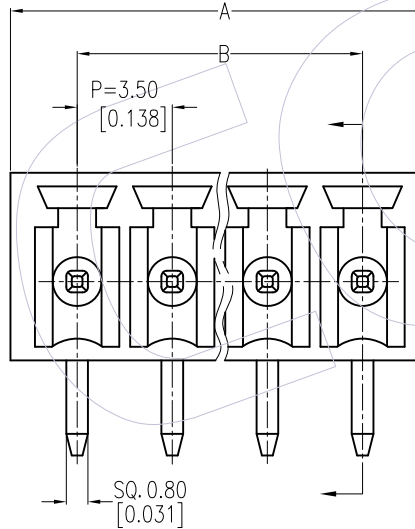


**Ordering Information:**

**P M 350 - 1 R XX A SM 1**  
 M=Male Pitch 350=3.50  
 No.of Pins 02-20P Color A=Green Contact Plated SM=Matte Tin Series No. 1

11P	39.90 ±0.30	35.00 ±0.30			
10P	36.40 ±0.30	31.50 ±0.30	20P	71.40 ±0.40	66.50 ±0.40
9P	32.90 ±0.30	28.00 ±0.30	19P	67.90 ±0.40	63.00 ±0.40
8P	29.40 ±0.20	24.50 ±0.20	18P	64.40 ±0.40	59.50 ±0.40
7P	25.90 ±0.20	21.00 ±0.20	17P	60.90 ±0.40	56.00 ±0.40
6P	22.40 ±0.20	17.50 ±0.20	16P	57.40 ±0.40	52.50 ±0.40
5P	18.90 ±0.20	14.00 ±0.20	15P	53.90 ±0.40	49.00 ±0.40
4P	15.40 ±0.20	10.50 ±0.20	14P	50.40 ±0.30	45.50 ±0.30
3P	11.90 ±0.20	7.00 ±0.20	13P	46.90 ±0.30	42.00 ±0.30
2P	8.40 ±0.20	3.50 ±0.10	12P	43.40 ±0.30	38.50 ±0.30
PIN	A	B	PIN	A	B

ITEM	Pitch	Mating
Standard	3.50	PF350
Alternate		



REV	DATE	MODIFICATION DESCRIPTION	CHANGE	OPERATION	DRAW	DATE	SCALE	FIT	PART NO.
A4	2018/03/12	Modify	$\Delta 4$	OPERATION	DRAW	2018/03/12	SCALE	FIT	PM350-1RXXASM1 $\Delta 4$
A3	2013/06/05	Modify The Housing Material	$\Delta 3$	X.X ±0.40	Surong Xu		UNIT	mm	TITLE: 3.50mm Pitch Male Pluggable Terminal Blocks
A2	2013/04/24	Modify The Dimension 3.50 To 3.30	$\Delta 2$	X.XX ±0.25	CHECK		SIZE	A4	
A0	2011/06/07	NEW		X.XXX ±0.15	APPROVE		SHEET	1/1	
Customer NO.				Angle ± 3'			PROJ.		Customer NO.
				DIM TOL					



WCON-Dongguan Tel: +86 769 85358920 Fax: +86 769 85358915 E-mail: sales@wcon.com  
 WCON-Kunshan Tel: +86 512 57468408 Fax: +86 512 57468468 E-mail: salesks@wcon.com

## X-ON Electronics

Largest Supplier of Electrical and Electronic Components

*Click to view similar products for [Pluggable Terminal Blocks](#) category:*

*Click to view products by [Wcon](#) manufacturer:*

Other Similar products are found below :

[57.510.0053](#) [MC 1.5/ 6-ST-3.5 GY AU](#) [ET02015000J0G](#) [734-104](#) [734-302](#) [860505](#) [860516](#) [860810](#) [GBPACX-12](#) [93.731.4953.0](#) [PV05-5,08-K](#) [PVP03-3,50](#) [PVP04-3,50](#) [PVS02-5,00](#) [1-1986160-3](#) [1377680000](#) [1531000000](#) [1546228-5](#) [ELFP03110](#) [ELFT07250](#) [ELVD12100](#) [ELVF09400](#) [ELVP03100](#) [ELXH071G0E](#) [1700410](#) [1702246](#) [1705229](#) [1714537](#) [1717806](#) [1719600](#) [1728941](#) [1734692](#) [1734795](#) [1740291](#) [1740628](#) [1746952](#) [1750207](#) [1752865](#) [1754115](#) [1754144](#) [1756913](#) [1760051](#) [1760336](#) [1765111](#) [1776388](#) [1777701](#) [1783410](#) [1800227](#) [1801080](#) [1809474](#)