

# HSF

**NOTES:**

Current Rating: 18A  
 Voltage Rating: 300V  
 Contact Resistance: 8milliohm Max  
 Withstand Voltage: AC2000V  
 Insulation Resistance: 1000Megohm Min  
 Operation Temperature: -40°C to +105°C

Housing Material: PA66+30%GF(UL94V-0)  
 Contact Material: Brass

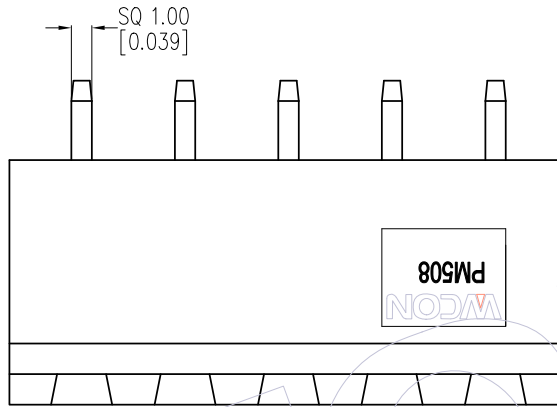
**Ordering Information:**

**P M 508 - 1 S XX X SM 1**

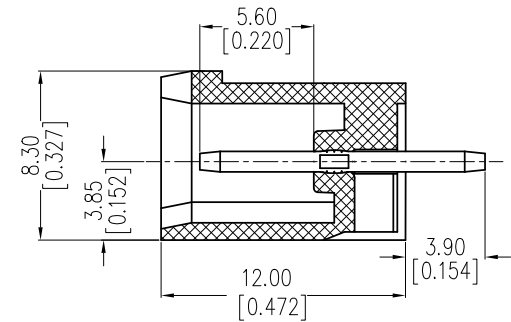
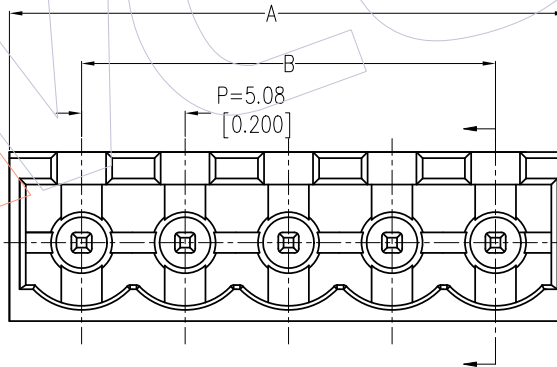
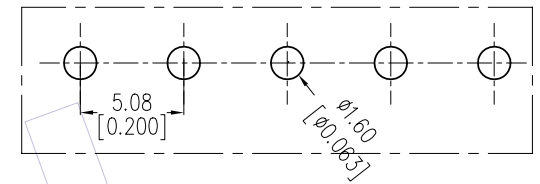
M=Male Pitch 508=5.08 No. of Pins 02-24P Color A=Green Y=Yellow R=Red O=Orange U=Blue G=Grey(灰色429C)  
 Contact Plated SM=Matte Tin Series No.

13P	68.04 ±0.30	60.96 ±0.30			
12P	62.96 ±0.30	55.88 ±0.30	24P	123.92 ±0.50	116.84 ±0.50
11P	57.88 ±0.30	50.80 ±0.30	23P	118.84 ±0.50	111.76 ±0.50
10P	52.80 ±0.30	45.72 ±0.30	22P	113.76 ±0.50	106.68 ±0.50
9P	47.72 ±0.30	40.64 ±0.30	21P	108.68 ±0.50	101.60 ±0.50
8P	42.64 ±0.30	35.56 ±0.30	20P	103.60 ±0.50	96.52 ±0.50
7P	37.56 ±0.20	30.48 ±0.20	19P	98.52 ±0.40	91.44 ±0.40
6P	32.48 ±0.20	25.40 ±0.20	18P	93.44 ±0.40	86.36 ±0.40
5P	27.40 ±0.20	20.32 ±0.20	17P	88.36 ±0.40	81.28 ±0.40
4P	22.32 ±0.20	15.24 ±0.20	16P	83.28 ±0.40	76.20 ±0.40
3P	17.24 ±0.20	10.16 ±0.20	15P	78.20 ±0.40	71.12 ±0.40
2P	12.16 ±0.20	5.08 ±0.10	14P	73.12 ±0.40	66.04 ±0.40
PIN	A	B	PIN	A	B

ITEM	Pitch	Mating
Standard	5.08	PF508
Alternate		



Recommended P.C.B Layout(Top Side)  
 (PCB BOARD TOLERANCE±0.05)



A3	2018/09/12	PM508-1SXXASM1 → PM508-1SXXXSM1	OPERATION	DRAW	DATE	SCALE	FIT	PART NO.
A2	2013/06/05	Modify The Housing Material	X.X ±0.40	XSR	2018/09/12	UNIT	mm	PM508-1SXXXSM1
A1	2012/05/17	Modify PF508-00-XX-A-SM → PM508-1SXXASM1	X.XX ±0.25	CHECK	DATE	SIZE	inch	TITLE:
A0	2011/06/08	NEW	X.XXX ±0.15	APPROVE	DATE	SHEET	A4	5.08mm Pitch Male
REV	DATE	MODIFICATION DESCRIPTION	Angle ± 3°			PROJ.	1/1	Pluggable Terminal Blocks
			DIM TOL					Customer NO.

**WCON**  
 Http: www.wcon.com

WCON-Dongguan Tel: +86 769 85358920 Fax: +86 769 85358915 E-mail: sales@wcon.com  
 WCON-Kunshan Tel: +86 512 57468408 Fax: +86 512 57468468 E-mail: salesks@wcon.com

## X-ON Electronics

Largest Supplier of Electrical and Electronic Components

*Click to view similar products for [Pluggable Terminal Blocks](#) category:*

*Click to view products by [Wcon](#) manufacturer:*

Other Similar products are found below :

[57.510.0053](#) [MC 1.5/ 6-ST-3.5 GY AU](#) [ET02015000J0G](#) [734-104](#) [734-302](#) [860505](#) [860516](#) [860810](#) [GBPACX-12](#) [93.731.4953.0](#) [PV05-5,08-K](#) [PVP03-3,50](#) [PVP04-3,50](#) [PVS02-5,00](#) [1-1986160-3](#) [1377680000](#) [1531000000](#) [1546228-5](#) [ELFP03110](#) [ELFT07250](#) [ELVD12100](#) [ELVF09400](#) [ELVP03100](#) [ELXH071G0E](#) [1700410](#) [1702246](#) [1705229](#) [1714537](#) [1717806](#) [1719600](#) [1728941](#) [1734692](#) [1734795](#) [1740291](#) [1740628](#) [1746952](#) [1750207](#) [1752865](#) [1754115](#) [1754144](#) [1756913](#) [1760051](#) [1760336](#) [1765111](#) [1776388](#) [1777701](#) [1783410](#) [1800227](#) [1801080](#) [1809474](#)