

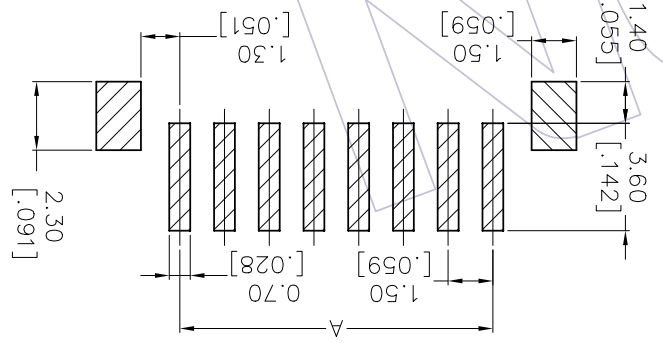
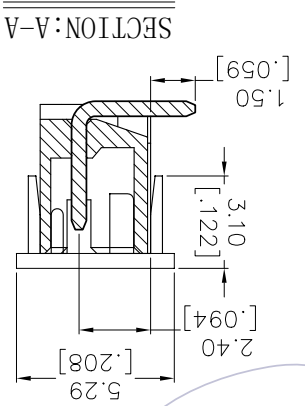
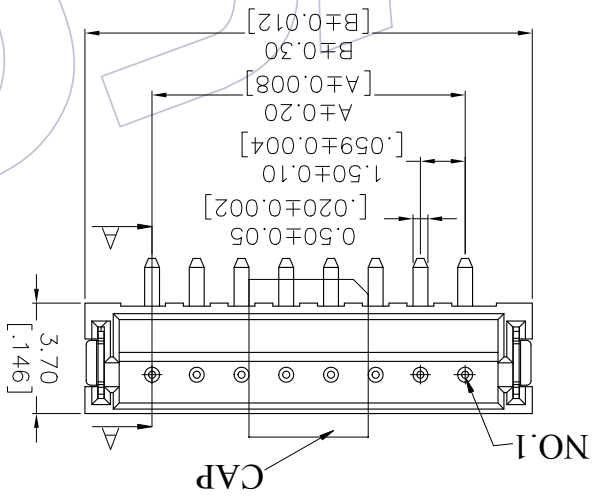
Recommended P.C.B Layout(Top Side)
(PCB BOARD TOLERANCE±0.05)

NOTES:
 Rated Current:1.0AMP
 Rated Voltage:100V AC/DC
 Contact Resistance:20mΩ max
 Withstand Voltage:500V AC/Minute
 Insulation Resistance:500MΩ min
 Operation Temperature:-25℃ to +85℃
 Insulator Material:PA6T+30%GF UL94V-0

Ordering Information

WF1501 - WM XX X R 1

- No.of pins
- 02-15P
- S0=Gold Flash/Tin
- S3=10u"Gold/Tin
- S4=15u"Gold/Tin
- S5=30u"Gold/Tin
- G0=Gold Flash
- G3=10u"Gold
- G4=15u"Gold
- G5=30u"Gold
- Blank=Tin
- Color
- Contact Plating
- Packing
- R=Reel
- T=Natural
- W=White
- E=Beige



REV	DATE	MODIFICATION DESCRIPTION	CHANGE	DIM TOL	APPROVE	DATE	PROJ.	CUSTOMER NO.
A0	2012/09/03	NEW	—	Angle ± 3°	APPROVE	DATE	PROJ.	Customer NO.
A1	2017/07/10	Modify the Mylar for the CAP	△	X.XXX ±0.15	CHECK	DATE	SHEET 1/1	WCQN-Dongguan Tel: +86 769 85358920 Fax: +86 769 85358915 E-mail: sdies@wcon.com
A2	2018/06/08	Add the Bump	△	X.XX ±0.25	Li	2019/09/04	SIZE A4	WCQN-Kunshan Tel: +86 512 57468408 Fax: +86 512 57468468 E-mail: sdiesks@wcon.com
A3	2019/09/04	Modify Drawing	—	X.X ±0.40	SCALE	FIT	UNIT mm	WCQN Http: www.wcon.com

Part No.	Circuit	Dimension
WF1501-WM02ER1	A	6.00
WF1501-WM03ER1	A	7.50
WF1501-WM04ER1	A	9.00
WF1501-WM05ER1	A	10.50
WF1501-WM06ER1	A	12.00
WF1501-WM07ER1	A	13.50
WF1501-WM08ER1	A	15.00
WF1501-WM09ER1	A	16.50
WF1501-WM10ER1	A	18.00
WF1501-WM11ER1	A	19.50
WF1501-WM12ER1	A	21.00
WF1501-WM13ER1	A	22.50
WF1501-WM14ER1	A	24.00
WF1501-WM15ER1	A	25.50

X-ON Electronics

Largest Supplier of Electrical and Electronic Components

Click to view similar products for [Headers & Wire Housings](#) category:

Click to view products by [Wcon](#) manufacturer:

Other Similar products are found below :

[95000-104TRLF](#) [10135584-644402LF](#) [DF62W-EP2022PCA](#) [95000-106TRLF](#) [DF62W-2022SCA](#) [DF62W-EP2022PC](#) [2203348](#) [DF62W-2022SC](#) [1084018](#) [1029039](#) [1084017](#) [802-10-012-10-002000](#) [1112640](#) [1112639](#) [891-007-9SS-BST1T](#) [000-34000](#) [0008550134](#) [0009482033](#) [0009507031](#) [57102-F02-18ULF](#) [57102-S06-03LF](#) [57202-S52-04LF](#) [PCN6-15S-2.5E](#) [0039019024](#) [58102-G61-06LF](#) [582553-1](#) [0009485154](#) [0009508121](#) [0022285053](#) [0050291907](#) [018731A](#) [LY20-4P-DT1-P1E-BR](#) [02.125.8002.8](#) [60101931](#) [60598-1 \(Cut Strip\)](#) [M1625-3R/100](#) [61062-3](#) [61082-181009](#) [CSU011177004](#) [636-1427](#) [638009-1](#) [641938-9](#) [641991-4](#) [644168-1](#) [644827-2](#) [647662-1](#) [65039-019ELF](#) [65692-001LF](#) [65781-018](#) [65781-047](#)