

HSF

Recommended P.C.B Layout(Top Side)
(PCB BOARD TOLERANCE±0.05)

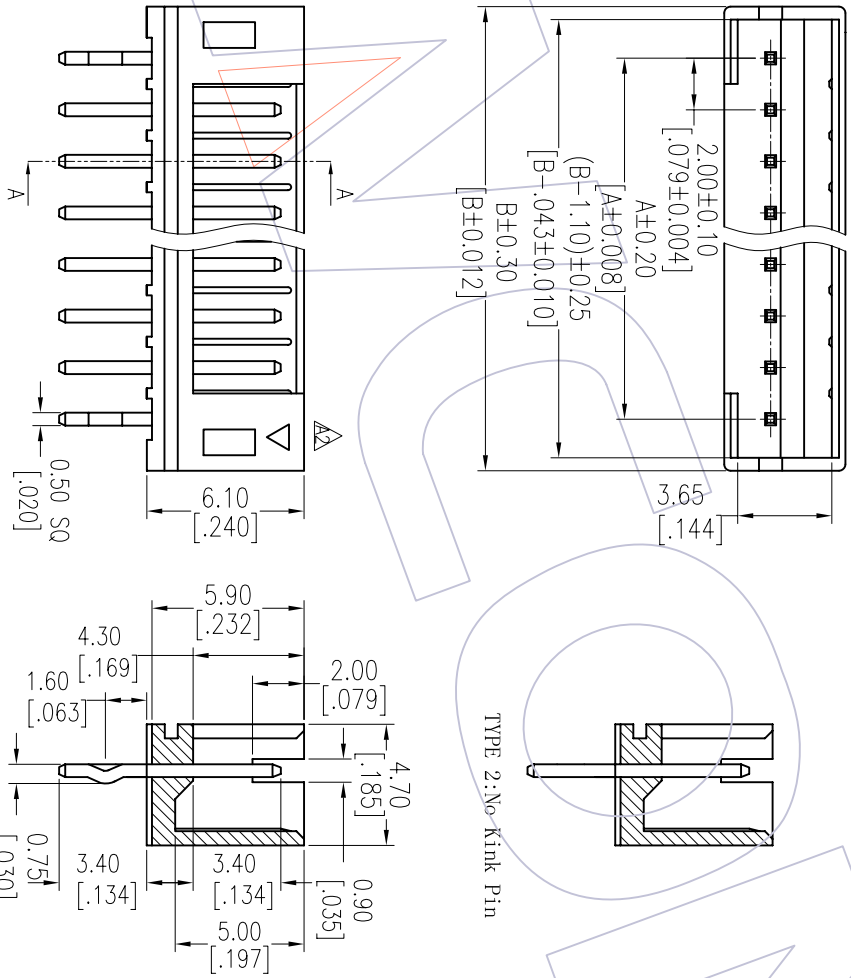
NOTES:

- Current Rating:1.0A
- Voltage Rating:100V AC,DC
- Contact Resistance:20mΩ max
- Withstand Voltage:800V AC/minute
- Insulation Resistance:1000MΩ min
- Operation Temperature:-25℃ to +85℃
- Contact Material:Brass
- Contact plating:Au or Sn Over Ni
- Insulator Material:PA66 Or PA46(UL94V-0)

Ordering Information

WF2001 - WS H XX X 0 X X

- No of pins S0=Gold Flash/Tin
- S3=10u Gold/Tin
- S4=15u Gold/Tin
- S5=30u Gold/Tin
- Color B=Black
- E=Beige
- W=White
- T=Natural
- Series No. 1=Type 1
- 2=Type 2
- Packing 0=PE Bag
- H=PA46
- Blank=PA66
- CR=Gold Flash
- G3=10u Gold
- G4=15u Gold
- G5=30u Gold
- Blank=Tin



Dimensional & Ordering Information:

Circuit	Part No.	Dimension		Q'TY /Bag
		A	B	
02	WF2001-WS02X0X	2.0	6.0	1,000
03	WF2001-WS03X0X	4.0	8.0	1,000
04	WF2001-WS04X0X	6.0	10.0	1,000
05	WF2001-WS05X0X	8.0	12.0	1,000
06	WF2001-WS06X0X	10.0	14.0	1,000
07	WF2001-WS07X0X	12.0	16.0	1,000
08	WF2001-WS08X0X	14.0	18.0	1,000
09	WF2001-WS09X0X	16.0	20.0	1,000
10	WF2001-WS10X0X	18.0	22.0	1,000
11	WF2001-WS11X0X	20.0	24.0	1,000
12	WF2001-WS12X0X	22.0	26.0	1,000
13	WF2001-WS13X0X	24.0	28.0	1,000
14	WF2001-WS14X0X	26.0	30.0	1,000
15	WF2001-WS15X0X	28.0	32.0	1,000
16	WF2001-WS16X0X	30.0	34.0	1,000
17	WF2001-WS17X0X	32.0	36.0	1,000
18	WF2001-WS18X0X	34.0	38.0	1,000
19	WF2001-WS19X0X	36.0	40.0	1,000
20	WF2001-WS20X0X	38.0	42.0	1,000

WCON

Http: www.wcon.com

WCON-Dongguan Tel: +86 769 85358920
WCON-Kunshan Tel: +86 512 57468408
Tel: +86 769 85358915 Fax: +86 512 57468468
E-mail: sales@wcon.com E-mail: sales@wcon.com

REV	DATE	MODIFICATION DESCRIPTION	CHANGE	OPERATION	DRAW	DATE	SCALE	FIT	PART NO.	SEE TABLE
A1	2012/10/16	Modify drawing		XX	Wang	2012/10/16	UNIT	mm		
A0	2012/08/25	NEW		XXX	CHECK	DATE	SIZE	A4		
				XXX	APPROVE	DATE	SHEET	1/1		
				Angle			PROJ.			Customer NO.
				± 3'						
				TOL						

X-ON Electronics

Largest Supplier of Electrical and Electronic Components

Click to view similar products for [Headers & Wire Housings](#) category:

Click to view products by [Wcon](#) manufacturer:

Other Similar products are found below :

[95000-104TRLF](#) [10135584-644402LF](#) [DF62W-EP2022PCA](#) [95000-106TRLF](#) [DF62W-2022SCA](#) [DF62W-EP2022PC](#) [2203348](#) [DF62W-2022SC](#) [1084018](#) [1029039](#) [1084017](#) [802-10-012-10-002000](#) [1112640](#) [1112639](#) [891-007-9SS-BST1T](#) [000-34000](#) [0008550134](#) [0009482033](#) [0009507031](#) [57102-F02-18ULF](#) [57102-S06-03LF](#) [57202-S52-04LF](#) [PCN6-15S-2.5E](#) [0039019024](#) [58102-G61-06LF](#) [582553-1](#) [0009485154](#) [0009508121](#) [0022285053](#) [0050291907](#) [018731A](#) [LY20-4P-DT1-P1E-BR](#) [02.125.8002.8](#) [60101931](#) [60598-1 \(Cut Strip\)](#) [M1625-3R/100](#) [61062-3](#) [61082-181009](#) [CSU011177004](#) [636-1427](#) [638009-1](#) [641938-9](#) [641991-4](#) [644168-1](#) [644827-2](#) [647662-1](#) [65039-019ELF](#) [65692-001LF](#) [65781-018](#) [65781-047](#)