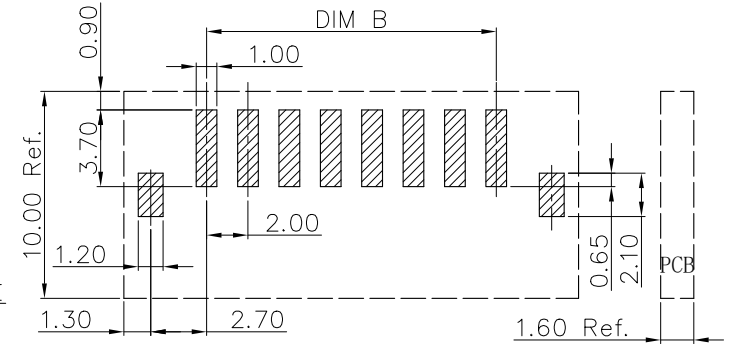
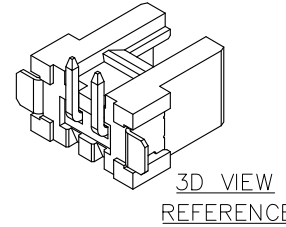
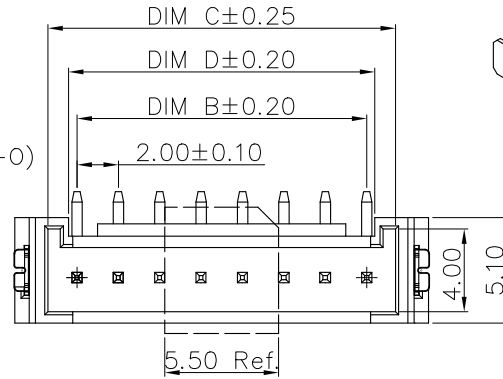


NOTES:
 Rated Current: 2.0 AMP
 Rated Voltage: 125V AC/DC
 Contact Resistance: 20mΩ Max
 Withstand Voltage: 500V AC/Minute
 Insulation Resistance: 500MΩ Min
 Operation Temperature: -40°C to +105°C

Housing Material: PA6T+30%GF Natural(UL94V-0)
 CAP Material: PA6T+30%GF Natural(UL94V-0)
 Contact Material: Brass
 Contact Plating: Sn over Ni
 Solder Tab Material: Brass
 Solder Tab Plating: Sn over Ni

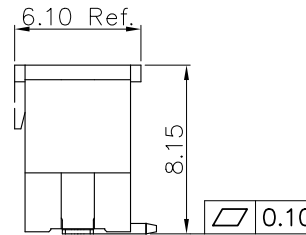
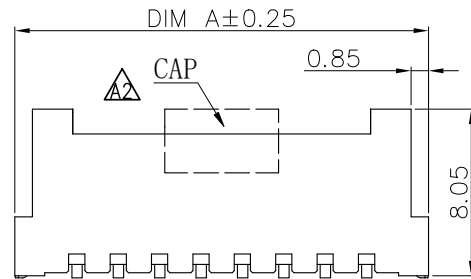


RECOMMENDED PADS LAYOUT
 <TOP VIEW>
 TOLERANCE FOR PCB LAYOUT IS ± 0.05

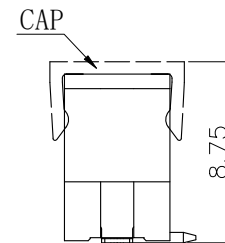
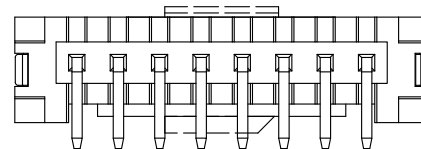
Ordering Information

WF2005 - WM XX E X 1

Terminal shape: WM=180°SMT
 NO.of Pins: 2P-16P
 Color: E=Natural
 Packing: T=Tube
 P=Tube+CAP
 R=Tape+Reel+CAP



CAP For 4-16P



CAP For 2-3P

Circuits	Dimensions			
	DIM A	DIM B	DIM C	DIM D
2	8.00	2.00	4.80	3.20
3	10.00	4.00	6.80	4.80
4	12.00	6.00	8.80	6.80
5	14.00	8.00	10.80	8.80
6	16.00	10.00	12.80	10.80
7	18.00	12.00	14.80	12.80
8	20.00	14.00	16.80	14.80
9	22.00	16.00	18.80	16.80
10	24.00	18.00	20.80	18.80
11	26.00	20.00	22.80	20.80
12	28.00	22.00	24.80	22.80
13	30.00	24.00	26.80	24.80
14	32.00	26.00	28.80	26.80
15	34.00	28.00	30.80	28.80
16	36.00	30.00	32.80	30.80

REV	DATE	MODIFICATION DESCRIPTION	CHANGE	OPERATION	DRAW	DATE	SCALE	FIT	PART NO.
A2	2019/04/20	Add the CAP	-----	x.x ±0.40	Ding	2019/04/20	UNIT	mm	WF2005-WMXXEX1
A1	2009/09/03	ADD DIMENSION D&E	-----	x.xx ±0.25	CHECK	DATE	SIZE	A4	TITLE:
A0	2009/09/03	NEW	-----	x.xxx ±0.15	APPROVE	DATE	SHEET	1/1	2.00 WAFER 180° SMT
				Angle ± 3'			PROJ.		Customer NO.
				DIM TOL					

WCON

Http: www.wcon.com

WCON-Dongguan
 Tel: +86 769 85358920
 Fax: +86 769 85358915
 E-mail: sales@wcon.com

WCON-Kunshan
 Tel: +86 512 57468408
 Fax: +86 512 57468468
 E-mail: salesks@wcon.com

X-ON Electronics

Largest Supplier of Electrical and Electronic Components

Click to view similar products for [Headers & Wire Housings](#) category:

Click to view products by [Wcon](#) manufacturer:

Other Similar products are found below :

[95000-104TRLF](#) [10135584-644402LF](#) [DF62W-EP2022PCA](#) [95000-106TRLF](#) [DF62W-2022SCA](#) [DF62W-EP2022PC](#) [2203348](#) [DF62W-2022SC](#) [1084018](#) [1029039](#) [1084017](#) [802-10-012-10-002000](#) [1112640](#) [1112639](#) [891-007-9SS-BST1T](#) [000-34000](#) [0008550134](#) [0009482033](#) [0009507031](#) [57102-F02-18ULF](#) [57102-S06-03LF](#) [57202-S52-04LF](#) [PCN6-15S-2.5E](#) [0039019024](#) [58102-G61-06LF](#) [582553-1](#) [0009485154](#) [0009508121](#) [0022285053](#) [0050291907](#) [018731A](#) [LY20-4P-DT1-P1E-BR](#) [02.125.8002.8](#) [60101931](#) [60598-1 \(Cut Strip\)](#) [M1625-3R/100](#) [61062-3](#) [61082-181009](#) [CSU011177004](#) [636-1427](#) [638009-1](#) [641938-9](#) [641991-4](#) [644168-1](#) [644827-2](#) [647662-1](#) [65039-019ELF](#) [65692-001LF](#) [65781-018](#) [65781-047](#)