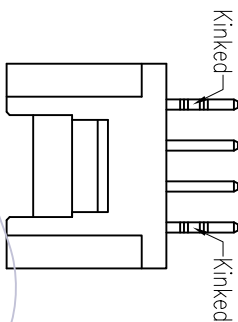
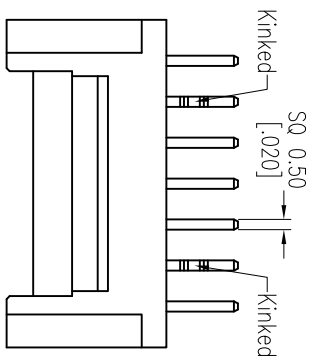


HSP

NOTES:

Rated Current:2.0AMP
 Rated Voltage:125V AC/DC
 Contact Resistance:20mΩ max
 Withstand Voltage:250V AC/DC
 Insulation Resistance:500MΩ min
 Operation Temperature:-25℃ to +85℃

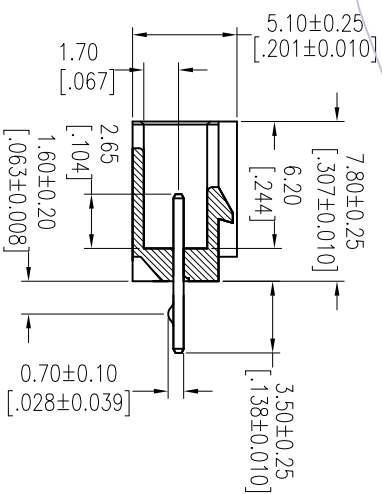
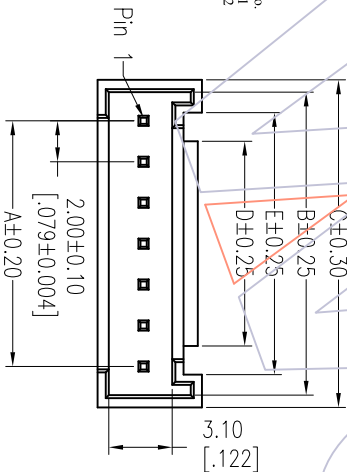
Contact Material:Brass
 Contact plating:Au Or Sn Over Ni
 Insulator Material:PA6T+30%GF UL94V-0



Ordering Information

WF2005 - WS XX X X X

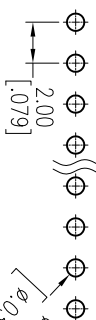
No. of pins: 02-16P
 Contact Plating: S=Gold Flash/Tin, B=Black, F=Beige, W=White
 Color: B=Black, F=Beige, W=White
 Series No.: 1=Type 1, 2=Type 2
 Packing: T=Tube, 0=PE Bag
 No. of pins: S=30u"Gold/Tin, S2=15u"Gold/Tin, S3=10u"Gold/Tin, S4=15u"Gold/Tin, S5=30u"Gold/Tin, G=Gold Flash, G3=10u"Gold, G4=15u"Gold, G5=50u"Gold, Blank=Fin



Specification & Ordering Information:

TYPE 1	WF2005-WSXXXX1
TYPE 2	WF2005-WSXXXX2

Circuit	Part No.	Dimension				
		A	B	C	D	E
02	WF2005-WS02XXXX	2.0	4.8	6.0	3.2	3.2
03	WF2005-WS03XXXX	4.0	6.8	8.0	2.0	4.8
04	WF2005-WS04XXXX	6.0	8.8	10.0	4.0	6.8
05	WF2005-WS05XXXX	8.0	10.8	12.0	6.0	8.8
06	WF2005-WS06XXXX	10.0	12.8	14.0	8.0	10.8
07	WF2005-WS07XXXX	12.0	14.8	16.0	10.0	12.8
08	WF2005-WS08XXXX	14.0	16.8	18.0	12.0	14.8
09	WF2005-WS09XXXX	16.0	18.8	20.0	14.0	16.8
10	WF2005-WS10XXXX	18.0	20.8	22.0	16.0	18.8
11	WF2005-WS11XXXX	20.0	22.8	24.0	18.0	20.8
12	WF2005-WS12XXXX	22.0	24.8	26.0	20.0	22.8
13	WF2005-WS13XXXX	24.0	26.8	28.0	22.0	24.8
14	WF2005-WS14XXXX	26.0	28.8	30.0	24.0	26.8
15	WF2005-WS15XXXX	28.0	30.8	32.0	26.0	28.8
16	WF2005-WS16XXXX	30.0	32.8	34.0	28.0	30.8



Recommended P.C.B Layout(Top Side)
 (PCB BOARD TOLERANCE±0.05)

REV	DATE	MODIFICATION DESCRIPTION	CHANGE
A1	2014/03/13	Modify The Material PA9T--PA6T	
AO	2012/09/05	NEW	

OPERATION		DRAW		DATE		SCALE		FIT	
XX	±0.40	JYHuang		2014/03/13		mm			
XXX	±0.25	CHECK		DATE		A4			
XXX	±0.15	APPROVE		DATE		1/1			
Angle	± 3'	PROJ.							

PART NO. SEE TAB
 TITLE: 2.00 WAFER 180° DIP
 Customer NO.

WCON

WCON-Dongguan
 Tel: +86 769 85358920
 Fax: +86 769 85358915
 E-mail: sales@wcon.com

WCON-Kunshan
 Tel: +86 512 57468408
 Fax: +86 512 57468468
 E-mail: sales@wcon.com

X-ON Electronics

Largest Supplier of Electrical and Electronic Components

Click to view similar products for [Headers & Wire Housings](#) category:

Click to view products by [Wcon](#) manufacturer:

Other Similar products are found below :

[95000-104TRLF](#) [10135584-644402LF](#) [DF62W-EP2022PCA](#) [95000-106TRLF](#) [DF62W-2022SCA](#) [DF62W-EP2022PC](#) [2203348](#) [DF62W-2022SC](#) [1084018](#) [1029039](#) [1084017](#) [802-10-012-10-002000](#) [1112640](#) [1112639](#) [891-007-9SS-BST1T](#) [000-34000](#) [0008550134](#) [0009482033](#) [0009507031](#) [57102-F02-18ULF](#) [57102-S06-03LF](#) [57202-S52-04LF](#) [PCN6-15S-2.5E](#) [0039019024](#) [58102-G61-06LF](#) [582553-1](#) [0009485154](#) [0009508121](#) [0022285053](#) [0050291907](#) [018731A](#) [LY20-4P-DT1-P1E-BR](#) [02.125.8002.8](#) [60101931](#) [60598-1 \(Cut Strip\)](#) [M1625-3R/100](#) [61062-3](#) [61082-181009](#) [CSU011177004](#) [636-1427](#) [638009-1](#) [641938-9](#) [641991-4](#) [644168-1](#) [644827-2](#) [647662-1](#) [65039-019ELF](#) [65692-001LF](#) [65781-018](#) [65781-047](#)