

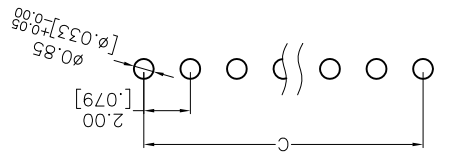
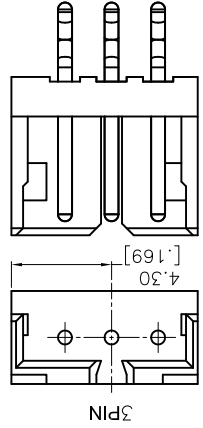
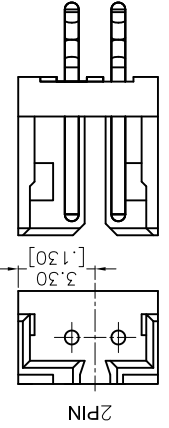
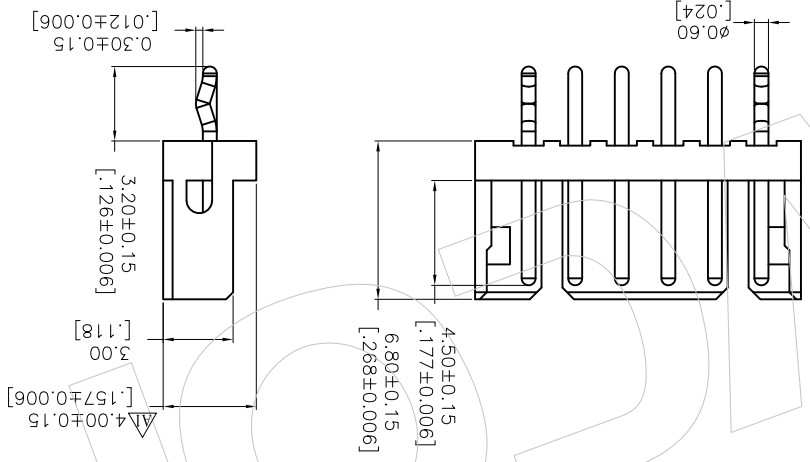
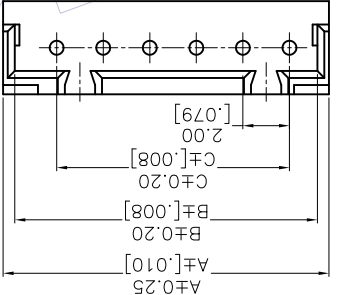
NOTES:

Current Rating:1.0A AMP
 Contact Resistance:2.0milliohm Max
 Withstand Voltage:250V AC/Minute
 Insulation Resistance:500Megohm Min
 Operation Temperature:-25°C to +85°C
 Housing Material:PA6T(UL94V-0)
 Contact Material:Brass
 Contact plating:Sn over Ni Plating

Ordering Information

WF2006-WSXXXT1

Terminal shape: WS:Waferr 180°DIP
 NO. of Pins : 2P~15P
 Packing: T=Tube
 Color: E=Beige



RECOMMENDED PCB LAYOUT
 TOLERANCE IS ±0.05

Circuits	Part No.	Dimensions
A	B	C
2	WF2006-WS02X01	6.00[.236] 5.00[.197] 2.00[.079]
3	WF2006-WS03X01	8.00[.315] 7.00[.276] 4.00[.157]
4	WF2006-WS04X01	10.00[.394] 9.00[.354] 6.00[.236]
5	WF2006-WS05X01	12.00[.472] 11.00[.433] 8.00[.315]
6	WF2006-WS06X01	14.00[.551] 13.00[.512] 10.00[.394]
7	WF2006-WS07X01	16.00[.630] 15.00[.591] 12.00[.472]
8	WF2006-WS08X01	18.00[.709] 17.00[.669] 14.00[.551]
9	WF2006-WS09X01	20.00[.787] 19.00[.748] 16.00[.630]
10	WF2006-WS10X01	22.00[.866] 21.00[.827] 18.00[.709]
11	WF2006-WS11X01	24.00[.945] 23.00[.906] 20.00[.787]
12	WF2006-WS12X01	26.00[1.024] 25.00[.984] 22.00[.866]
13	WF2006-WS13X01	28.00[1.102] 27.00[1.063] 24.00[.945]
14	WF2006-WS14X01	30.00[1.181] 29.00[1.142] 26.00[1.024]
15	WF2006-WS15X01	32.00[1.260] 31.00[1.220] 28.00[1.102]

REV	DATE	MODIFICATION DESCRIPTION	CHANGE	DIM TOL	APPROVE	DATE	PROJ.	CUSTOMER NO.
A0	2013.05.13	NEW	-	±.3				
A1	2014.11.25	Modify Drawing(3.60→4.00)	YNWE	X.XXX ±0.15	CHECK	DATE	SIZE	Customer NO.
				X.XX ±0.25			A4	
				X.X ±0.40	DRAW	DATE	UNIT	
					KH	2013.05.13	mm	
							inch	
							1:1	
							SCALE	PART NO.
								WF2006-WSXXX1
								TITLE:
								2.00mm WTB WAFER 180°DIP
								SHEET
								I/1
								PROJ.

WCON
 Http://www.wcon.com

WCON-Dongguan
 WCON-Kunshan
 Tel: +86 769 85358920
 Tel: +86 512 57468408
 Fax: +86 769 85358915
 Fax: +86 512 57468468
 E-mail: sales@wcon.com
 E-mail: sales@wcon.com

X-ON Electronics

Largest Supplier of Electrical and Electronic Components

Click to view similar products for [Headers & Wire Housings](#) category:

Click to view products by [Wcon](#) manufacturer:

Other Similar products are found below :

[95000-104TRLF](#) [10135584-644402LF](#) [DF62W-EP2022PCA](#) [95000-106TRLF](#) [DF62W-2022SCA](#) [DF62W-EP2022PC](#) [2203348](#) [DF62W-2022SC](#) [1084018](#) [1029039](#) [1084017](#) [802-10-012-10-002000](#) [1112640](#) [1112639](#) [891-007-9SS-BST1T](#) [000-34000](#) [0008550134](#) [0009482033](#) [0009507031](#) [57102-F02-18ULF](#) [57102-S06-03LF](#) [57202-S52-04LF](#) [PCN6-15S-2.5E](#) [0039019024](#) [58102-G61-06LF](#) [582553-1](#) [0009485154](#) [0009508121](#) [0022285053](#) [0050291907](#) [018731A](#) [LY20-4P-DT1-P1E-BR](#) [02.125.8002.8](#) [60101931](#) [60598-1 \(Cut Strip\)](#) [M1625-3R/100](#) [61062-3](#) [61082-181009](#) [CSU011177004](#) [636-1427](#) [638009-1](#) [641938-9](#) [641991-4](#) [644168-1](#) [644827-2](#) [647662-1](#) [65039-019ELF](#) [65692-001LF](#) [65781-018](#) [65781-047](#)