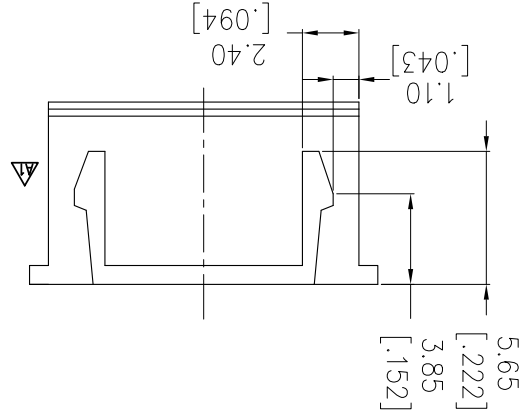
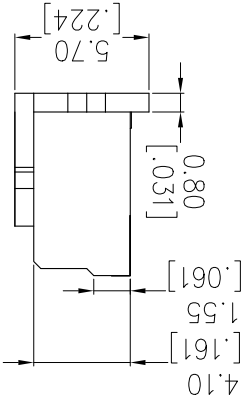
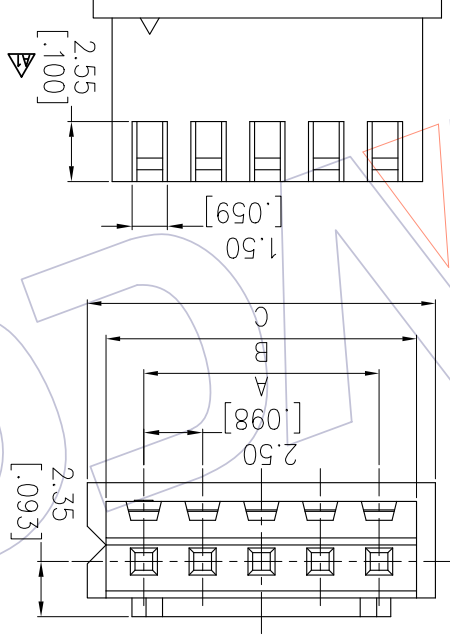


NOTES:  
 Current Rating: 3.0AMP  
 Contact Resistance: 20mΩ Max  
 Withstand Voltage: 1000V AC/DC  
 Insulation Resistance: 1000MΩ Min  
 Operation Temperature: -25℃ to +85℃  
 Insulator Material: PA66(UL94V-0)



# Ordering Information

WF2501-H XX W 01  
 Terminal Shape H-HOUSING  
 No. of Pins 02-20P  
 Color W=White



REV	DATE	MODIFICATION DESCRIPTION	CHANGE	DIM TOL	APPROVE	DATE	PROJ.	CUSTOMER NO.
A0	2012/02/13	NEW	---	Angle ± 3°	APPROVE	DATE	PROJ.	Customer NO.
A1	2019/07/15	Modify the drawing	---	X.XXX ±0.15	CHECK	DATE	SHEET 1/1	Customer NO.
			---	X.XX ±0.25	DRAW	DATE	SIZE A4	Customer NO.
			---	X.X ±0.40	SCALE	DATE	UNIT mm	Customer NO.
					FIT	DATE	SCALE	Customer NO.

PART NO. WF2501-HXXW01  
 TITLE: "J" XH2.50 HOUSING



WCON-Dongguan  
 WCON-Kunshan  
 Tel: +86 769 85358920  
 Fax: +86 769 85358915  
 E-mail: sdies@wcon.com  
 E-mail: wconks@wcon.com  
 Http: www.wcon.com

Circuit	A	B	C
02	2.5	5.7	7.3
03	5.0	8.2	9.8
04	7.5	10.7	12.3
05	10.0	13.2	14.8
06	12.5	15.7	17.3
07	15.0	18.2	19.8
08	17.5	20.7	22.3
09	20.0	23.2	24.8
10	22.5	25.7	27.3
11	25.0	28.2	29.8
12	27.5	30.7	32.3
13	30.0	33.2	34.8
14	32.5	35.7	37.3
15	35.0	38.2	39.8
16	37.5	40.7	42.3
20	47.5	50.7	52.3

## X-ON Electronics

Largest Supplier of Electrical and Electronic Components

*Click to view similar products for [Headers & Wire Housings](#) category:*

*Click to view products by [Wcon](#) manufacturer:*

Other Similar products are found below :

[95000-104TRLF](#) [10135584-644402LF](#) [DF62W-EP2022PCA](#) [95000-106TRLF](#) [DF62W-2022SCA](#) [DF62W-EP2022PC](#) [2203348](#) [DF62W-2022SC](#) [1084018](#) [1029039](#) [1084017](#) [802-10-012-10-002000](#) [1112640](#) [1112639](#) [891-007-9SS-BST1T](#) [000-34000](#) [0008550134](#) [0009482033](#) [0009507031](#) [57102-F02-18ULF](#) [57102-S06-03LF](#) [57202-S52-04LF](#) [PCN6-15S-2.5E](#) [0039019024](#) [58102-G61-06LF](#) [582553-1](#) [0009485154](#) [0009508121](#) [0022285053](#) [0050291907](#) [018731A](#) [LY20-4P-DT1-P1E-BR](#) [02.125.8002.8](#) [60101931](#) [60598-1 \(Cut Strip\)](#) [M1625-3R/100](#) [61062-3](#) [61082-181009](#) [CSU011177004](#) [636-1427](#) [638009-1](#) [641938-9](#) [641991-4](#) [644168-1](#) [644827-2](#) [647662-1](#) [65039-019ELF](#) [65692-001LF](#) [65781-018](#) [65781-047](#)