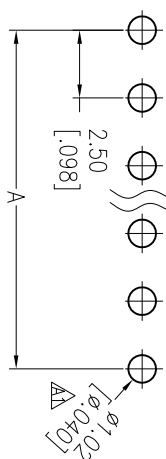
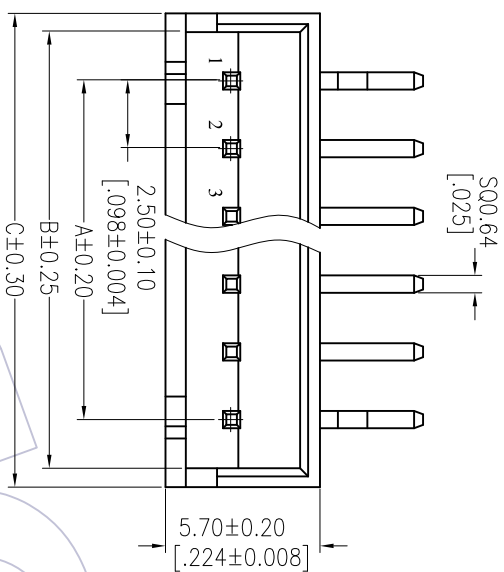


HSF

Recommended P.C.B Layout(Top Side)
(PCB BOARD TOLERANCE±0.05)

NOTES:
 Rated Current:3.0AMP
 Contact Resistance:20mΩ max
 Withstand Voltage:800V AC/DC
 Insulation Resistance:1000MΩ min
 Operation Temperature:-25°C to +85°C

Contact Material:Brass
 Contact plating:Au Or Sn Over Ni
 Insulator Material:PA66 Or PA46 UL94V-0



TITLE	PART NO.
TYPE 1	WF2501-WRXXX01
TYPE 2	WF2501-WRXXX02

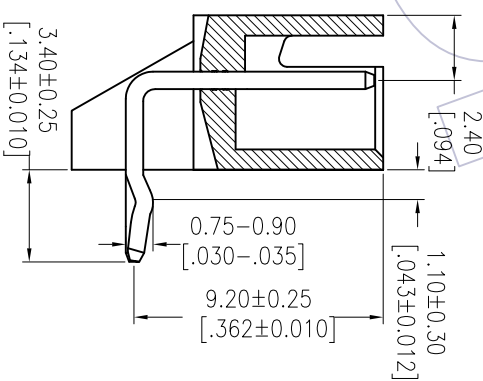
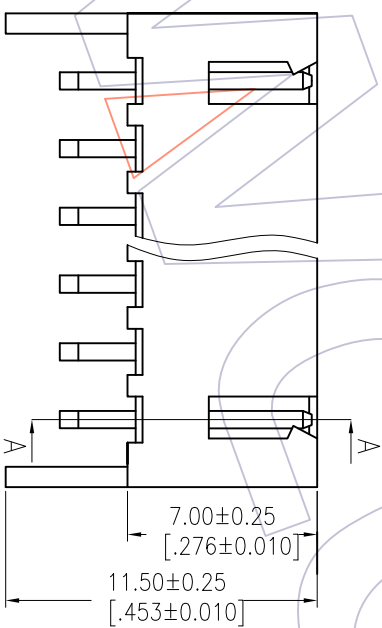
Specification & Ordering Information:

Circuit	Part No.	Dimension		
		A	B	C
02	WF2501-WR02X0X	2.50	6.1	7.4
03	WF2501-WR03X0X	5.00	8.6	9.9
04	WF2501-WR04X0X	7.50	11.1	12.4
05	WF2501-WR05X0X	10.00	13.6	14.9
06	WF2501-WR06X0X	12.50	16.1	17.4
07	WF2501-WR07X0X	15.00	18.6	19.9
08	WF2501-WR08X0X	17.50	21.1	22.4
09	WF2501-WR09X0X	20.00	23.6	24.9
10	WF2501-WR10X0X	22.50	26.1	27.4
11	WF2501-WR11X0X	25.00	28.6	29.9
12	WF2501-WR12X0X	27.50	31.1	32.4
13	WF2501-WR13X0X	30.00	33.6	34.9
14	WF2501-WR14X0X	32.50	36.1	37.4
15	WF2501-WR15X0X	35.00	38.6	39.9
16	WF2501-WR16X0X	37.50	41.1	42.4
20	WF2501-WR20X0X	47.50	51.1	52.4

Ordering Information

WF2501 - WR XX X X X

No of pins: 02~16P
 Contact Plating: S=Gold Flash/Tin
 Color: B=Black, T=Natural, 1=Type 1, 2=Type 2
 H=PA46, W=White, F=Reflow Packing, U=PE Bag, T=Tube
 Blank=P-A66



TYPE1:Kink Pin

WCON

Http: www.wcon.com

WCON-Dongguan Tel: +86 769 85358920
 WCON-Kunshan Tel: +86 512 57468408
 Fx: +86 769 85358915 Fx: +86 512 57468468
 E-mail: sales@wcon.com E-mail: sales@wcon.com

REV	DATE	MODIFICATION DESCRIPTION	OPERATION	DRAW	DATE	SCALE	FIT	PART NO.
A1	2013/10/24	MODIFY THE PCB HOLE DIM	X.XX ±0.40	JHuang	2013/10/24	mm	A4	SEE TAB
AO	2012/09/05	NEW	X.XXX ±0.15	CHECK		inch	1/1	TITLE: n_j TYPE 2.50 WAFER 90° DIP
			Angle ± 3°	APPROVE				Customer NO.
			DIM TOL					

X-ON Electronics

Largest Supplier of Electrical and Electronic Components

Click to view similar products for [Headers & Wire Housings](#) category:

Click to view products by [Wcon](#) manufacturer:

Other Similar products are found below :

[95000-104TRLF](#) [10135584-644402LF](#) [DF62W-EP2022PCA](#) [95000-106TRLF](#) [DF62W-2022SCA](#) [DF62W-EP2022PC](#) [2203348](#) [DF62W-2022SC](#) [1084018](#) [1029039](#) [1084017](#) [802-10-012-10-002000](#) [1112640](#) [1112639](#) [891-007-9SS-BST1T](#) [000-34000](#) [0008550134](#) [0009482033](#) [0009507031](#) [57102-F02-18ULF](#) [57102-S06-03LF](#) [57202-S52-04LF](#) [PCN6-15S-2.5E](#) [0039019024](#) [58102-G61-06LF](#) [582553-1](#) [0009485154](#) [0009508121](#) [0022285053](#) [0050291907](#) [018731A](#) [LY20-4P-DT1-P1E-BR](#) [02.125.8002.8](#) [60101931](#) [60598-1 \(Cut Strip\)](#) [M1625-3R/100](#) [61062-3](#) [61082-181009](#) [CSU011177004](#) [636-1427](#) [638009-1](#) [641938-9](#) [641991-4](#) [644168-1](#) [644827-2](#) [647662-1](#) [65039-019ELF](#) [65692-001LF](#) [65781-018](#) [65781-047](#)