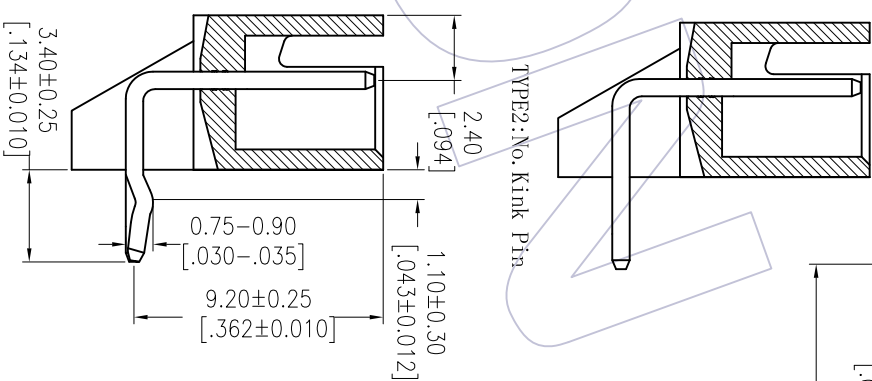
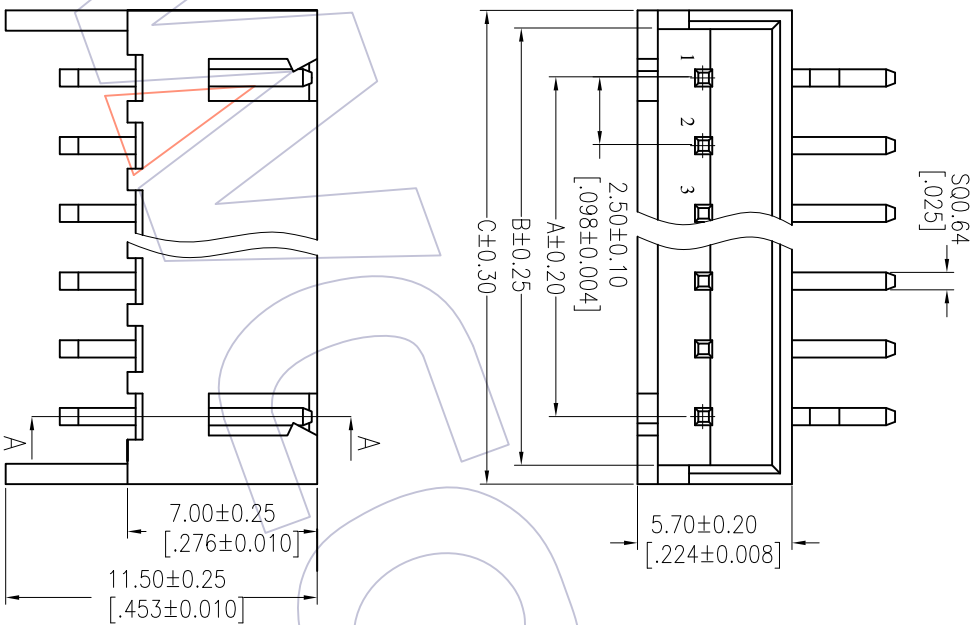


# HSF

Recommended P.C.B Layout(Top Side)  
(PCB BOARD TOLERANCE±0.05)

NOTES:  
 Rated Current:3.0AMP  
 Contact Resistance:20mΩ max  
 Withstand Voltage:800V AC/DC  
 Insulation Resistance:1000MΩ min  
 Operation Temperature:-25°C to +85°C

Contact Material:Brass  
 Contact plating:Au Or Sn Over Ni  
 Insulator Material:PA66 Or PA46 UL94V-0



TITLE	PART NO.
TYPE 1	WFF2501-WRXXX01
TYPE 2	WFF2501-WRXXX02

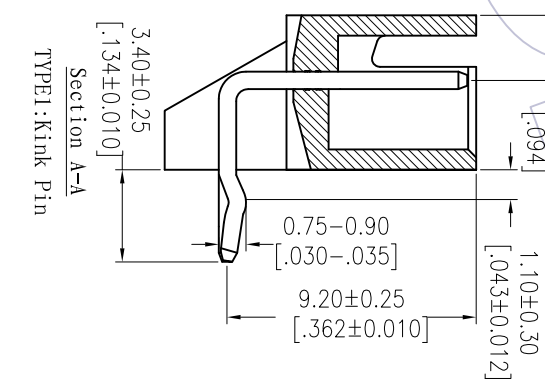
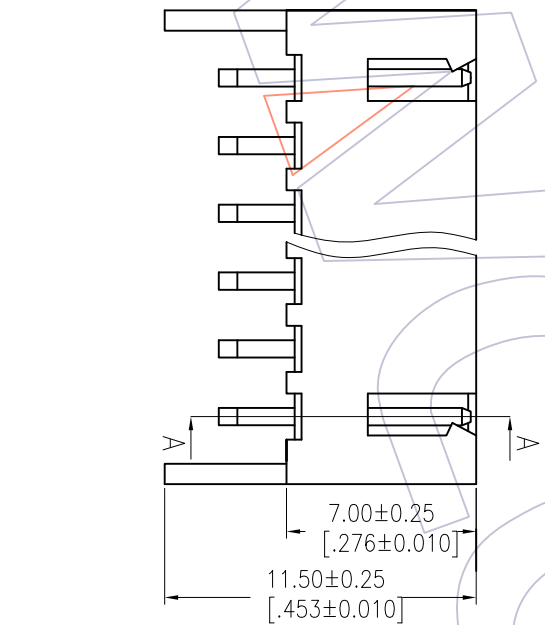
Specification & Ordering Information:

Circuit	Part No.	Dimension		
		A	B	C
02	WFF2501-WR02X0X	2.50	6.1	7.4
03	WFF2501-WR03X0X	5.00	8.6	9.9
04	WFF2501-WR04X0X	7.50	11.1	12.4
05	WFF2501-WR05X0X	10.00	13.6	14.9
06	WFF2501-WR06X0X	12.50	16.1	17.4
07	WFF2501-WR07X0X	15.00	18.6	19.9
08	WFF2501-WR08X0X	17.50	21.1	22.4
09	WFF2501-WR09X0X	20.00	23.6	24.9
10	WFF2501-WR10X0X	22.50	26.1	27.4
11	WFF2501-WR11X0X	25.00	28.6	29.9
12	WFF2501-WR12X0X	27.50	31.1	32.4
13	WFF2501-WR13X0X	30.00	33.6	34.9
14	WFF2501-WR14X0X	32.50	36.1	37.4
15	WFF2501-WR15X0X	35.00	38.6	39.9
16	WFF2501-WR16X0X	37.50	41.1	42.4
20	WFF2501-WR20X0X	47.50	51.1	52.4

## Ordering Information

WFF2501 - WR XX X 0 X X

No of pins: 02~16P  
 Contact Plating: S=Gold Flash/Tin  
 Color: B=Black, T=Natural, 1=Type 1, 2=Type 2  
 H=PA46, W=White, F=Reflow Paking, U=PE Bag, T=Tube  
 Blank=P.A66



# WCON

REV	DATE	MODIFICATION DESCRIPTION	CHANGE	OPERATION	DRAW	DATE	SCALE	FIT	PART NO.	TITLE:	Customer NO.
A1	2013/10/24	MODIFY THE PCB HOLE DIM	CHANGE	X.XX	JHuang	2013/10/24	mm	1/1	SEE TAB	TYPE 1:TYPE 2.50 WAFER 90° DIP	
AO	2012/09/05	NEW		X.XXX	CHECK		A4				

WCON-Dongguan Tel: +86 769 85358920  
 WCON-Kunshan Tel: +86 512 57468408  
 Fx: +86 769 85358915 Fx: +86 512 57468468  
 E-mail: sales@wcon.com E-mail: sales@wcon.com

## X-ON Electronics

Largest Supplier of Electrical and Electronic Components

*Click to view similar products for [Headers & Wire Housings](#) category:*

*Click to view products by [Wcon](#) manufacturer:*

Other Similar products are found below :

[95000-104TRLF](#) [10135584-644402LF](#) [DF62W-EP2022PCA](#) [95000-106TRLF](#) [DF62W-2022SCA](#) [DF62W-EP2022PC](#) [2203348](#) [DF62W-2022SC](#) [1084018](#) [1029039](#) [1084017](#) [802-10-012-10-002000](#) [1112640](#) [1112639](#) [891-007-9SS-BST1T](#) [000-34000](#) [0008550134](#) [0009482033](#) [0009507031](#) [57102-F02-18ULF](#) [57102-S06-03LF](#) [57202-S52-04LF](#) [PCN6-15S-2.5E](#) [0039019024](#) [58102-G61-06LF](#) [582553-1](#) [0009485154](#) [0009508121](#) [0022285053](#) [0050291907](#) [018731A](#) [LY20-4P-DT1-P1E-BR](#) [02.125.8002.8](#) [60101931](#) [60598-1 \(Cut Strip\)](#) [M1625-3R/100](#) [61062-3](#) [61082-181009](#) [CSU011177004](#) [636-1427](#) [638009-1](#) [641938-9](#) [641991-4](#) [644168-1](#) [644827-2](#) [647662-1](#) [65039-019ELF](#) [65692-001LF](#) [65781-018](#) [65781-047](#)