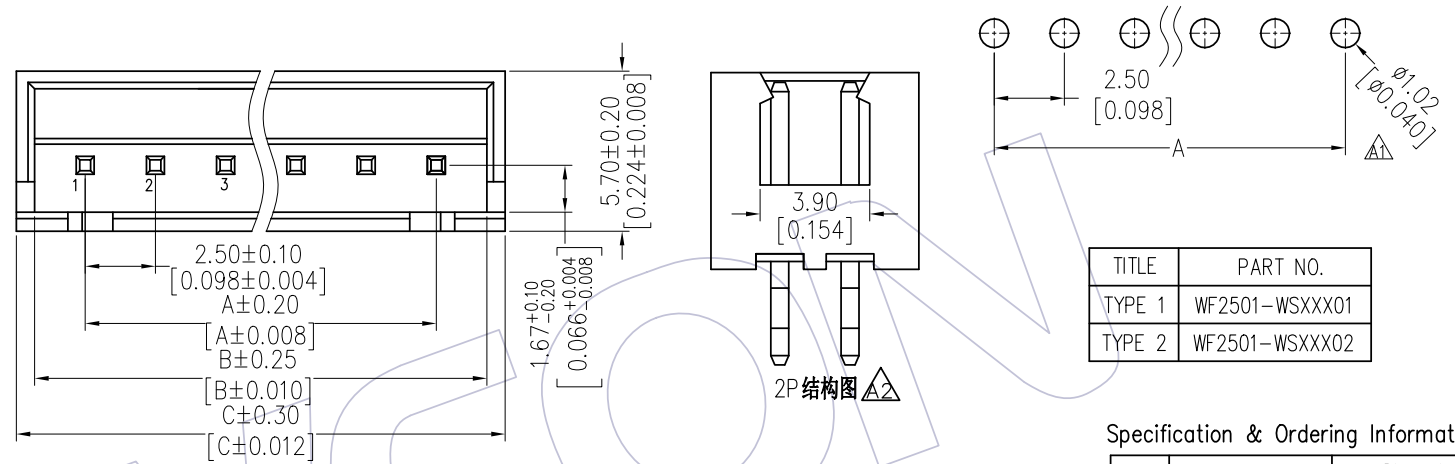


# HSF

Recommended P.C.B Layout(Top Side)  
(PCB BOARD TOLERANCE±0.05)

NOTES:  
 Rated Current: 3.0AMP  
 Rated Voltage: 250V AC/DC  
 Contact Resistance: 20mΩ max  
 Withstand Voltage: 800V AC/DC  
 Insulation Resistance: 1000MΩ min  
 Operation Temperature: -25℃ to +85℃

Contact Material: Brass  
 Contact plating: Au Or Sn Over Ni  
 Insulator Material: PA66 Or PA46 UL94V-0



TITLE	PART NO.
TYPE 1	WF2501-WSXXX01
TYPE 2	WF2501-WSXXX02

## Ordering Information

WF2501 - WS **XX** **X** 0 **X**

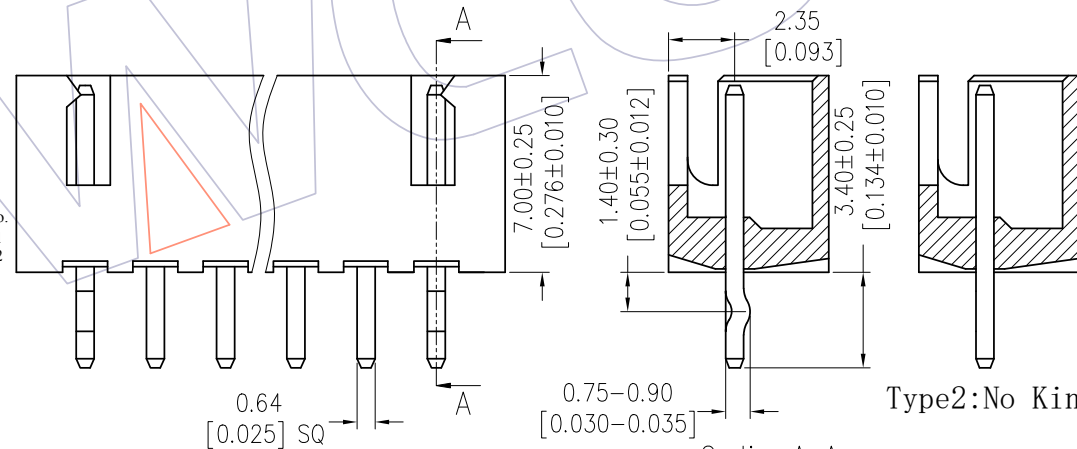
No. of pins: 02P~16P  
 20P  
 H=PA46  
 Blank=PA66

Contact Plating:  
 S0=Gold Flash/Tin  
 S3=10u"Gold/Tin  
 S4=15u"Gold/Tin  
 S5=30u"Gold/Tin  
 G0=Gold Flash  
 G3=10u"Gold  
 G4=15u"Gold  
 G5=30u"Gold  
 Blank=Tin

Color:  
 B=Black  
 T=Natural  
 W=White  
 E=Beige

Series No.:  
 1=Type 1  
 2=Type 2

Packing:  
 0=PE Bag  
 T=Tube



Section A-A  
 Type1:Kink  
 Type2:No Kink

## Specification & Ordering Information:

Circuit	Part No.	Dimension		
		A	B	C
02	WF2501-WS02X0X	2.50	6.1	7.4
03	WF2501-WS03X0X	5.00	8.6	9.9
04	WF2501-WS04X0X	7.50	11.1	12.4
05	WF2501-WS05X0X	10.00	13.6	14.9
06	WF2501-WS06X0X	12.50	16.1	17.4
07	WF2501-WS07X0X	15.00	18.6	19.9
08	WF2501-WS08X0X	17.50	21.1	22.4
09	WF2501-WS09X0X	20.00	23.6	24.9
10	WF2501-WS10X0X	22.50	26.1	27.4
11	WF2501-WS11X0X	25.00	28.6	29.9
12	WF2501-WS12X0X	27.50	31.1	32.4
13	WF2501-WS13X0X	30.00	33.6	34.9
14	WF2501-WS14X0X	32.50	36.1	37.4
15	WF2501-WS15X0X	35.00	38.6	39.9
16	WF2501-WS16X0X	37.50	41.1	42.4
20	WF2501-WS20X0X	47.50	51.1	52.4

REV	DATE	MODIFICATION DESCRIPTION	CHANGE	OPERATION	DRAW	DATE	SCALE	FIT	PART NO.
A2	2017/02/13	Add 2P DRAW	△	x.xx ±0.40	Ding	2017/02/13	UNIT	mm	WF2501-WSXXX0X
A1	2013/10/24	MODIFY THE PCB HOLE DIM	—	x.xx ±0.25	CHECK	DATE	SIZE	A4	TITLE:
AO	2012/09/05	NEW	—	x.xxx ±0.15	APPROVE	DATE	SHEET	1/1	"J"TYPE 2.50 WAFER 180° DIP
				Angle ± 3°			PROJ.	Customer NO.	
				DIM TOL					

# WCON

Http: www.wcon.com

WCON-Dongguan Tel: +86 769 85358920 Fax: +86 769 85358915 E-mail: sales@wcon.com

WCON-Kunshan Tel: +86 512 57468408 Fax: +86 512 57468468 E-mail: sales@wcon.com

## X-ON Electronics

Largest Supplier of Electrical and Electronic Components

*Click to view similar products for [Headers & Wire Housings](#) category:*

*Click to view products by [Wcon](#) manufacturer:*

Other Similar products are found below :

[57102-F02-18ULF](#) [58102-G61-06LF](#) [0009485154](#) [009176003701906](#) [0050291907](#) [00-9021-0611-00-339](#) [02.125.8002.8](#) [609-3404](#) [61062-3](#)  
[622-0430](#) [622-3653LF](#) [63453-116](#) [636-1030](#) [636-1427](#) [636-3427](#) [636-4007](#) [641938-9](#) [644827-2](#) [65495-038](#) [65692-001LF](#) [65781-018](#)  
[65781-047](#) [65817-010LF](#) [65817-015LF](#) [66207-023LF](#) [67016-026LF](#) [67095-007LF](#) [68631-112](#) [68645-018](#) [68648-049](#) [699319-000](#)  
[70.362.1628.0](#) [70-4210](#) [70-4226B](#) [70-4853B](#) [707-5020](#) [707-5028](#) [71.350.2428.0](#) [71961-016LF](#) [733-134](#) [754199-000](#) [760-3052](#) [787-8014-00](#)  
[FCN-367T-T012/H](#) [80.063.4001.1](#) [800-90-001-10-001000](#) [800-90-010-10-002000](#) [801-43-002-10-013000](#) [801-43-006-10-002000](#)  
[803-41-018-10-001000](#)