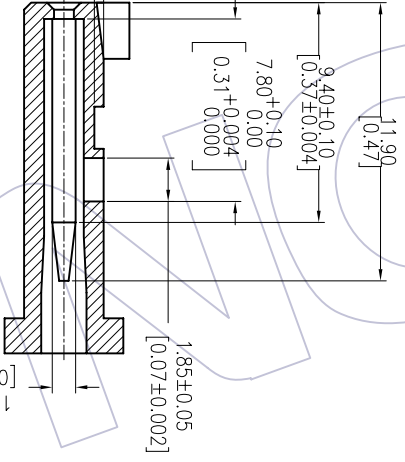
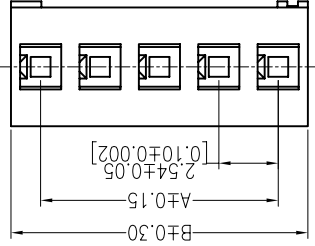
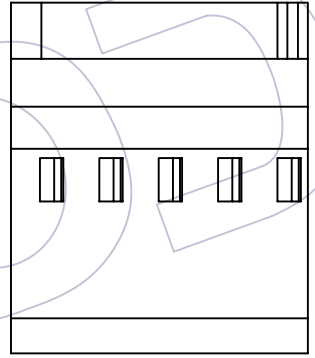
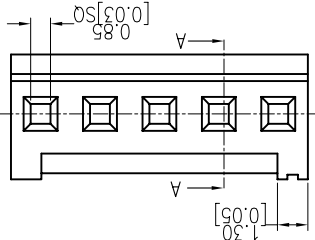
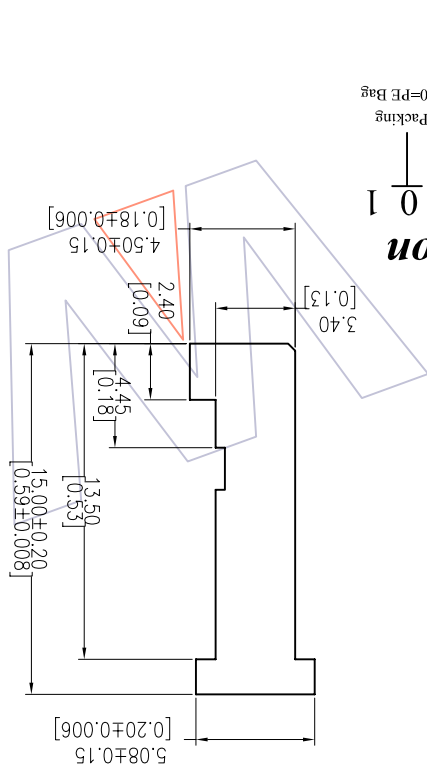


NOTES:
 Rated Current:3.0AMP
 Contact Resistance:20mΩ max
 Withstand Voltage:100V AC/DC
 Insulation Resistance:100MΩ min
 Operation Temperature:-40°C to +85°C
 Insulator Material:PTI+30%G.F UL94V-0

Ordering Information
 WF2547-1H XX X 0 1

No. of pins
 02P-20P
 Color
 E=Beige
 W=White
 B=Black
 L=Blue
 Packing
 0=PE Bag



REV	DATE	MODIFICATION DESCRIPTION	CHANGE	DIM TOL	APPROVE	DATE	PROJ.	Customer NO.	WCON-Donggun Tel: +86 769 85358920 Fax: +86 769 85358915 E-mail: sales@wcon.com
A0	2009/07/23	NEW	---	Angle ± 3°	APPROVE	DATE	PROJ.	Customer NO.	WCON-Kunshon Tel: +86 769 85358920 Fax: +86 512 57468408 E-mail: sales@wcon.com
A1	2012/02/23	Modify drawing	---	X.XXX ±0.15	CHECK	DATE	SIZE A4	TITLE: "T" 2.54mm Housing Single Row	WCON-Donggun Tel: +86 769 85358920 Fax: +86 512 57468408 E-mail: sales@wcon.com
				X.X ±0.40	DRAW BEN	DATE 2012/02/23	UNIT mm	PART NO. SEE TABLE	WCON Http: www.wcon.com
					OPERATION	SCALE FIT			

Part No.	Circuit	Dimension
A	B	
1x02	WF2547-1H02U01	2.54
1x03	WF2547-1H03U01	5.08
1x04	WF2547-1H04U01	7.62
1x05	WF2547-1H05U01	10.16
1x06	WF2547-1H06U01	12.70
1x07	WF2547-1H07U01	15.24
1x08	WF2547-1H08U01	17.78
1x09	WF2547-1H09U01	20.32
1x10	WF2547-1H10U01	22.86
1x12	WF2547-1H12U01	27.94
1x15	WF2547-1H15U01	35.56
1x18	WF2547-1H18U01	43.18
1x20	WF2547-1H20U01	48.26

Dimensional & Ordering Information:

10	9	8	7	6	5	4	3	2	1
----	---	---	---	---	---	---	---	---	---

X-ON Electronics

Largest Supplier of Electrical and Electronic Components

Click to view similar products for [Headers & Wire Housings](#) category:

Click to view products by [Wcon](#) manufacturer:

Other Similar products are found below :

[95000-104TRLF](#) [10135584-644402LF](#) [DF62W-EP2022PCA](#) [95000-106TRLF](#) [DF62W-2022SCA](#) [DF62W-EP2022PC](#) [2203348](#) [DF62W-2022SC](#) [1084018](#) [1029039](#) [1084017](#) [802-10-012-10-002000](#) [1112640](#) [1112639](#) [891-007-9SS-BST1T](#) [000-34000](#) [0008550134](#) [0009482033](#) [0009507031](#) [57102-F02-18ULF](#) [57102-S06-03LF](#) [57202-S52-04LF](#) [PCN6-15S-2.5E](#) [0039019024](#) [58102-G61-06LF](#) [582553-1](#) [0009485154](#) [0009508121](#) [0022285053](#) [0050291907](#) [018731A](#) [LY20-4P-DT1-P1E-BR](#) [02.125.8002.8](#) [60101931](#) [60598-1 \(Cut Strip\)](#) [M1625-3R/100](#) [61062-3](#) [61082-181009](#) [CSU011177004](#) [636-1427](#) [638009-1](#) [641938-9](#) [641991-4](#) [644168-1](#) [644827-2](#) [647662-1](#) [65039-019ELF](#) [65692-001LF](#) [65781-018](#) [65781-047](#)