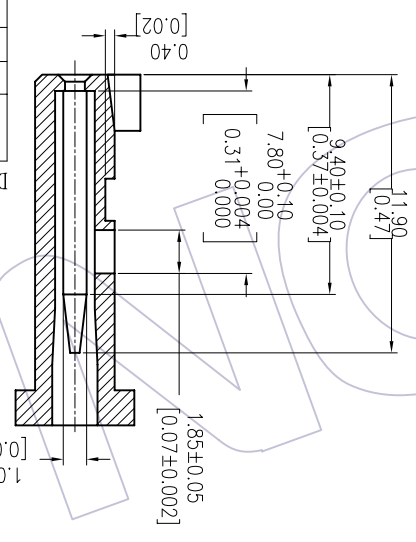
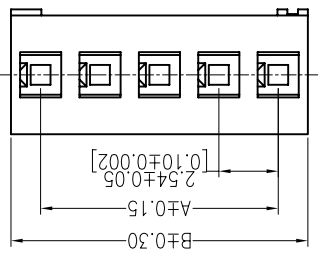
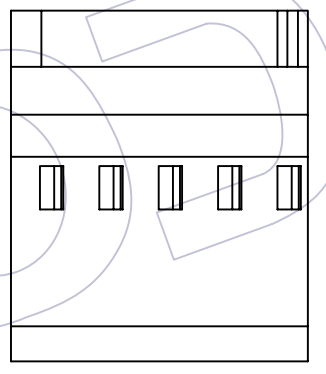
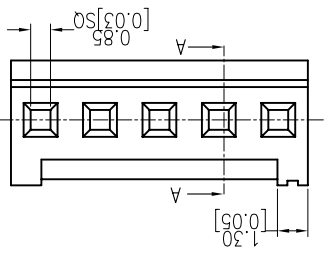
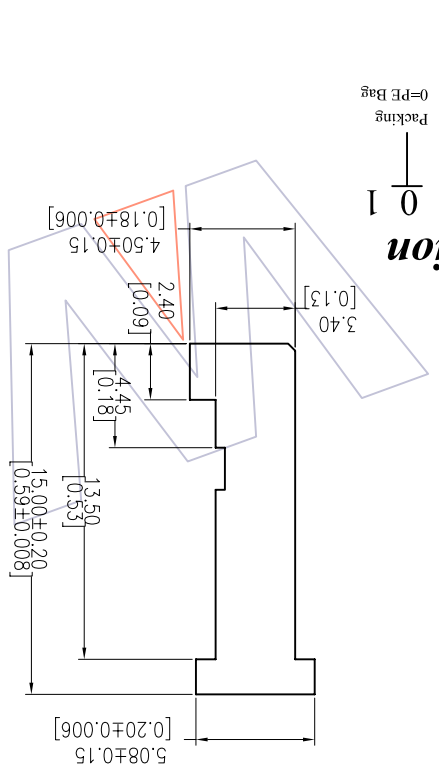


NOTES:
 Rated Current:3.0AMP
 Contact Resistance:20mΩ max
 Withstand Voltage:100V AC/DC
 Insulation Resistance:100MΩ min
 Operation Temperature:-40°C to +85°C
 Insulator Material:PTI+30%G.F UL94V-0

Ordering Information
 WF2547-1H XX X 0 1

No. of pins
 02P-20P
 Color
 E=Beige
 W=White
 B=Black
 L=Blue
 Packing
 0=PE Bag



| | | | | | | | | | |
|-----|------------|--------------------------|--------|-------------|-----------|-----------------|-----------|-------------------------------|--|
| REV | DATE | MODIFICATION DESCRIPTION | CHANGE | DIM TOL | APPROVE | DATE | PROJ. | Customer NO. | WCON-Donggun Tel: +86 769 85358920 Fax: +86 769 85358915 E-mail: sales@wcon.com |
| A0 | 2009/07/23 | NEW | --- | Angle ± 3° | | | | | |
| A1 | 2012/02/23 | Modify drawing | --- | X.XXX ±0.15 | CHECK | DATE | SHEET 1/1 | "T" 2.54mm Housing Single Row | WCON-Kunshon Http: www.wcon.com |
| | | | | X.X ±0.25 | DRAW BEN | DATE 2012/02/23 | SIZE A4 | PART NO. SEE TABLE | |
| | | | | X.X ±0.40 | OPERATION | | UNIT mm | | |
| | | | | | | | SCALE FIT | | |

| Circuit | Part No. | Dimension | A | B |
|---------|----------------|-----------|-------|-------|
| 1x02 | WF2547-1H02U01 | 2.54 | 5.08 | 7.62 |
| 1x03 | WF2547-1H03U01 | 5.08 | 7.62 | 10.16 |
| 1x04 | WF2547-1H04U01 | 7.62 | 10.16 | 12.70 |
| 1x05 | WF2547-1H05U01 | 10.16 | 12.70 | 15.24 |
| 1x06 | WF2547-1H06U01 | 12.70 | 15.24 | 17.78 |
| 1x07 | WF2547-1H07U01 | 15.24 | 17.78 | 20.32 |
| 1x08 | WF2547-1H08U01 | 17.78 | 20.32 | 22.86 |
| 1x09 | WF2547-1H09U01 | 20.32 | 22.86 | 25.40 |
| 1x10 | WF2547-1H10U01 | 22.86 | 25.40 | 30.48 |
| 1x12 | WF2547-1H12U01 | 27.94 | 30.48 | 38.10 |
| 1x15 | WF2547-1H15U01 | 35.56 | 38.10 | 45.72 |
| 1x18 | WF2547-1H18U01 | 43.18 | 45.72 | 50.80 |
| 1x20 | WF2547-1H20U01 | 48.26 | 50.80 | |

Dimensional & Ordering Information:



X-ON Electronics

Largest Supplier of Electrical and Electronic Components

Click to view similar products for [Headers & Wire Housings](#) category:

Click to view products by [Wcon](#) manufacturer:

Other Similar products are found below :

[95000-104TRLF](#) [10135584-644402LF](#) [DF62W-EP2022PCA](#) [95000-106TRLF](#) [DF62W-2022SCA](#) [DF62W-EP2022PC](#) [2203348](#) [DF62W-2022SC](#) [1084018](#) [1029039](#) [1084017](#) [802-10-012-10-002000](#) [1112640](#) [1112639](#) [891-007-9SS-BST1T](#) [000-34000](#) [0008550134](#) [0009482033](#) [0009507031](#) [57102-F02-18ULF](#) [57102-S06-03LF](#) [57202-S52-04LF](#) [PCN6-15S-2.5E](#) [0039019024](#) [58102-G61-06LF](#) [582553-1](#) [0009485154](#) [0009508121](#) [0022285053](#) [0050291907](#) [018731A](#) [LY20-4P-DT1-P1E-BR](#) [02.125.8002.8](#) [60101931](#) [60598-1 \(Cut Strip\)](#) [M1625-3R/100](#) [61062-3](#) [61082-181009](#) [CSU011177004](#) [636-1427](#) [638009-1](#) [641938-9](#) [641991-4](#) [644168-1](#) [644827-2](#) [647662-1](#) [65039-019ELF](#) [65692-001LF](#) [65781-018](#) [65781-047](#)