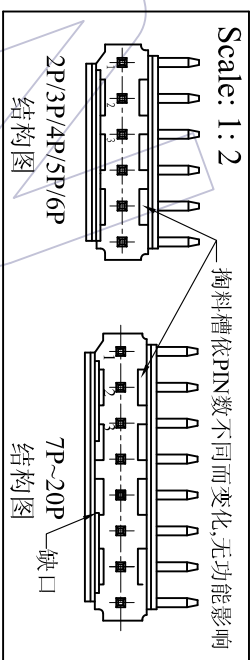
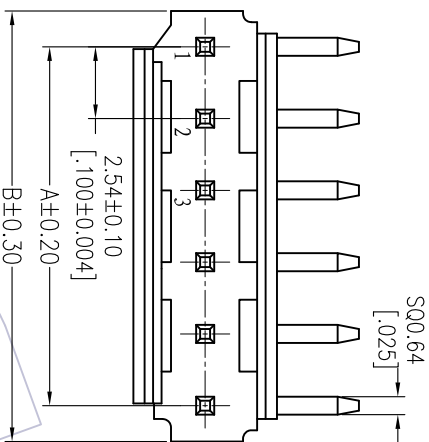


HSP

Recommended P.C.B Layout(Top Side)
(PCB BOARD TOLERANCE±0.05)

NOTES:
Rated Current:3.0AMP
Contact Resistance:20mΩ max
Withstand Voltage:1000V AC/DC
Insulation Resistance:1000MΩ min
Operation Temperature:-25℃ to +85℃

Contact Material:Brass
Contact plating:Au Or Sn Over Ni
Insulator Material:PA66(UL94V-0)



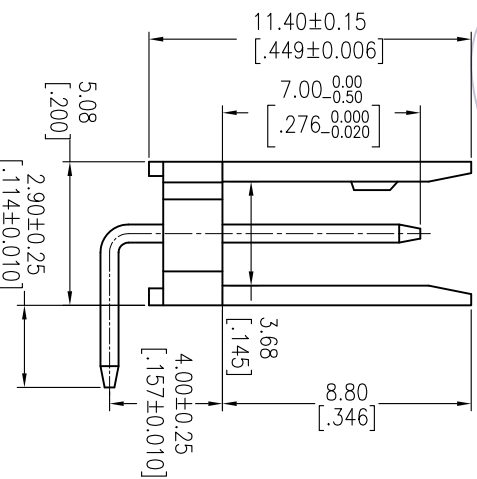
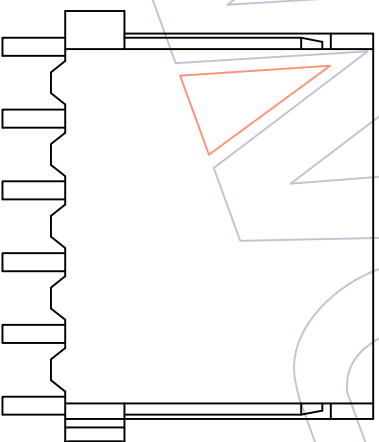
Specification & Ordering Information:

Circuit	Part No.	Dimension	
		A	B
02	WF2547-1WR02XX1	2.54	5.08
03	WF2547-1WR03XX1	5.08	7.62
04	WF2547-1WR04XX1	7.62	10.16
05	WF2547-1WR05XX1	10.16	12.70
06	WF2547-1WR06XX1	12.70	15.24
07	WF2547-1WR07XX1	15.24	17.78
08	WF2547-1WR08XX1	17.78	20.32
09	WF2547-1WR09XX1	20.32	22.86
10	WF2547-1WR10XX1	22.86	25.40
11	WF2547-1WR11XX1	25.40	27.94
12	WF2547-1WR12XX1	27.94	30.48
13	WF2547-1WR13XX1	30.48	33.02
14	WF2547-1WR14XX1	33.02	35.56
15	WF2547-1WR15XX1	35.56	38.10
16	WF2547-1WR16XX1	38.10	40.64
17	WF2547-1WR17XX1	40.64	43.18
18	WF2547-1WR18XX1	43.18	45.72
19	WF2547-1WR19XX1	45.72	48.26
20	WF2547-1WR20XX1	48.26	50.80

Ordering Information

WF2547 - 1 WR XX XX X X 1

No. of Row No. of pins Contact Plating Color Packaging
Single Row 02P~20P S0=Gold Flash/Tin W=White 0=PE Bag
S3=10u"Gold/Tin U=Blue T=Tube
S4=5u"Gold/Tin B=Black
S5=30u"Gold/Tin G0=Gold Flash
G3=10u"Gold
G4=5u"Gold
G5=30u"Gold
Blank=Tin



WCON

Http: www.wcon.com

WCON-Dongguan WCON-Kunshan
Tel: +86 769 85358920 Tel: +86 512 57468408
Fax: +86 769 85358915 Fax: +86 512 57468468
E-mail: sales@wcon.com E-mail: sales@wcon.com

REV	DATE	MODIFICATION DESCRIPTION	CHANGE	OPERATION	DRAW	DATE	SCALE	FIT	PART NO.
AO	2012/09/08	NEW		X.X X.XX X.XXX	JYHuang	2012/09/08	UNIT mm	A4	SEE TAB
				Angle ± 3'	CHECK	DATE	SIZE	1/1	TITLE: "T" TYPE 2.54 WAFER SINGLE ROW 90°
				DIM	APPROVE	DATE	SHEET		Customer NO.
				TOL	PROJ.		PROJ.		

X-ON Electronics

Largest Supplier of Electrical and Electronic Components

Click to view similar products for [Headers & Wire Housings](#) category:

Click to view products by [Wcon](#) manufacturer:

Other Similar products are found below :

[95000-104TRLF](#) [10135584-644402LF](#) [DF62W-EP2022PCA](#) [95000-106TRLF](#) [DF62W-2022SCA](#) [DF62W-EP2022PC](#) [2203348](#) [DF62W-2022SC](#) [1084018](#) [1029039](#) [1084017](#) [802-10-012-10-002000](#) [1112640](#) [1112639](#) [891-007-9SS-BST1T](#) [000-34000](#) [0008550134](#) [0009482033](#) [0009507031](#) [57102-F02-18ULF](#) [57102-S06-03LF](#) [57202-S52-04LF](#) [PCN6-15S-2.5E](#) [0039019024](#) [58102-G61-06LF](#) [582553-1](#) [0009485154](#) [0009508121](#) [0022285053](#) [0050291907](#) [018731A](#) [LY20-4P-DT1-P1E-BR](#) [02.125.8002.8](#) [60101931](#) [60598-1 \(Cut Strip\)](#) [M1625-3R/100](#) [61062-3](#) [61082-181009](#) [CSU011177004](#) [636-1427](#) [638009-1](#) [641938-9](#) [641991-4](#) [644168-1](#) [644827-2](#) [647662-1](#) [65039-019ELF](#) [65692-001LF](#) [65781-018](#) [65781-047](#)