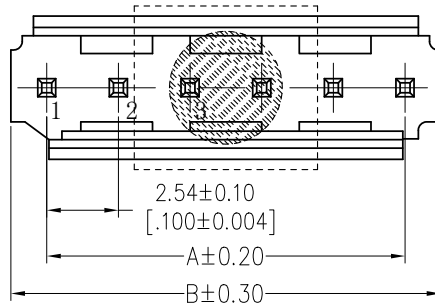


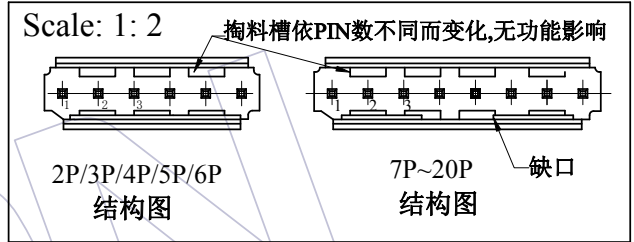
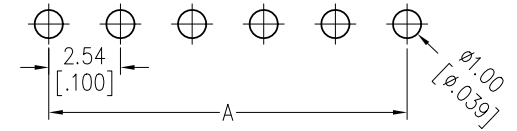
# HSF

NOTES:  
 Rated Current: 3.0A  
 Contact Resistance: 20mΩ max  
 Withstand Voltage: 1000V AC/Minute  
 Insulation Resistance: 1000MΩ min  
 Operation Temperature: -25℃ to +85℃

Contact Material: Brass  
 Contact plating: Au Or Sn Over Ni  
 Insulator Material: PA66 (UL94V-0)



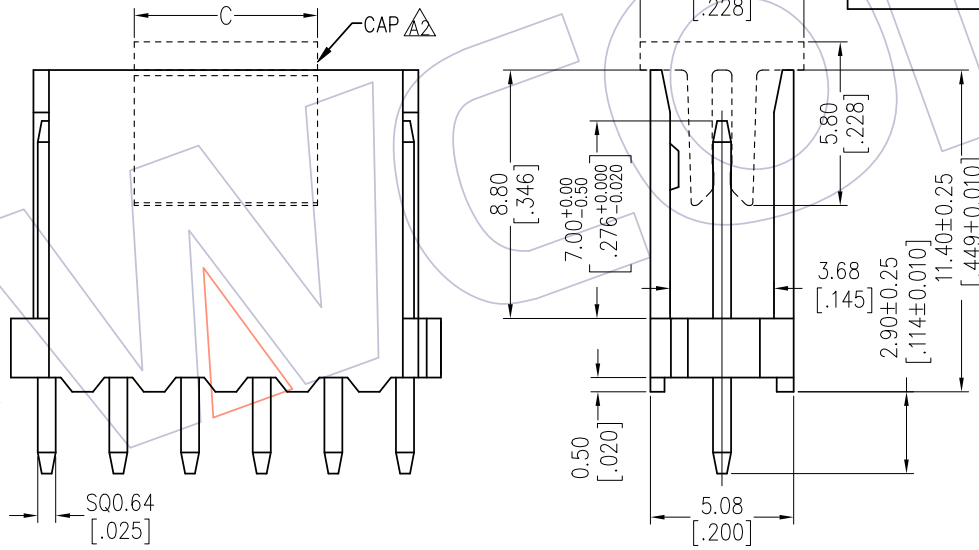
Recommended P.C.B Layout (Top Side)  
 (PCB BOARD TOLERANCE ±0.05)



## Ordering Information

WF2547 - 1 WS XX XX X X 1

No. of Row Single Row  
 Contact Plating S0=Gold Flash/Tin S3=10u"Gold/Tin S4=15u"Gold/Tin S5=30u"Gold/Tin G0=Gold Flash G3=10u"Gold G4=15u"Gold G5=30u"Gold Blank=Tin  
 Color W=White U=Blue B=Black  
 Packing A=Tray T=Tube R=Tape&Reel



Circuit	Part No.	Dimension	
		A	B
02	WF2547-1WS02XX1	2.54	5.08
03	WF2547-1WS03XX1	5.08	7.62
04	WF2547-1WS04XX1	7.62	10.16
05	WF2547-1WS05XX1	10.16	12.70
06	WF2547-1WS06XX1	12.70	15.24
07	WF2547-1WS07XX1	15.24	17.78
08	WF2547-1WS08XX1	17.78	20.32
09	WF2547-1WS09XX1	20.32	22.86
10	WF2547-1WS10XX1	22.86	25.40
11	WF2547-1WS11XX1	25.40	27.94
12	WF2547-1WS12XX1	27.94	30.48
13	WF2547-1WS13XX1	30.48	33.02
14	WF2547-1WS14XX1	33.02	35.56
15	WF2547-1WS15XX1	35.56	38.10
16	WF2547-1WS16XX1	38.10	40.64
17	WF2547-1WS17XX1	40.64	43.18
18	WF2547-1WS18XX1	43.18	45.72
19	WF2547-1WS19XX1	45.72	48.26
20	WF2547-1WS20XX1	48.26	50.80

PIN	C
2P	5.00
3-20P	6.50

REV	DATE	MODIFICATION DESCRIPTION	CHANGE	OPERATION	DRAW	DATE	SCALE	FIT	PART NO.
A2	2019/01/15	Add the CAP	—	x.x ±0.40	Ding	2019/01/15	UNIT	mm/inch	SEE TAB
A1	2012/09/08	NEW	—	x.xx ±0.25	CHECK	DATE	SIZE	A4	TITLE:
AO	2012/09/08	NEW	—	x.xxx ±0.15	APPROVE	DATE	SHEET	1/1	"T" TYPE 2.54 WAFER SINGLE ROW 180°
				Angle ± 3'			PROJ.	Customer NO.	

**WCON**  
 Http: www.wcon.com

WCON-Dongguan Tel: +86 769 85358920 Fax: +86 769 85358915 E-mail: sales@wcon.com

WCON-Kunshan Tel: +86 512 57468408 Fax: +86 512 57468468 E-mail: salesks@wcon.com

## X-ON Electronics

Largest Supplier of Electrical and Electronic Components

*Click to view similar products for [Headers & Wire Housings](#) category:*

*Click to view products by [Wcon](#) manufacturer:*

Other Similar products are found below :

[57102-F02-18ULF](#) [58102-G61-06LF](#) [0009485154](#) [009176003701906](#) [0050291907](#) [00-9021-0611-00-339](#) [02.125.8002.8](#) [609-3404](#) [61062-3](#)  
[622-0430](#) [622-3653LF](#) [63453-116](#) [636-1030](#) [636-1427](#) [636-3427](#) [636-4007](#) [641938-9](#) [644827-2](#) [65495-038](#) [65692-001LF](#) [65781-018](#)  
[65781-047](#) [65817-010LF](#) [65817-015LF](#) [66207-023LF](#) [67016-026LF](#) [67095-007LF](#) [68631-112](#) [68645-018](#) [68648-049](#) [699319-000](#)  
[70.362.1628.0](#) [70-4210](#) [70-4226B](#) [70-4853B](#) [707-5020](#) [707-5028](#) [71.350.2428.0](#) [71961-016LF](#) [733-134](#) [754199-000](#) [760-3052](#) [787-8014-00](#)  
[FCN-367T-T012/H](#) [80.063.4001.1](#) [800-90-001-10-001000](#) [800-90-010-10-002000](#) [801-43-002-10-013000](#) [801-43-006-10-002000](#)  
[803-41-018-10-001000](#)