

HSF

NOTES:
 Rated Current: 3.0A
 Contact Resistance: 20mΩ max
 Withstand Voltage: 1000V AC/Minute
 Insulation Resistance: 1000MΩ min
 Operation Temperature: -25°C to +85°C
 Insulator Material: PBT + 30%G.F UL94V-0
 Used with: WF2547-T
 Mated with: WF2547-Wafer

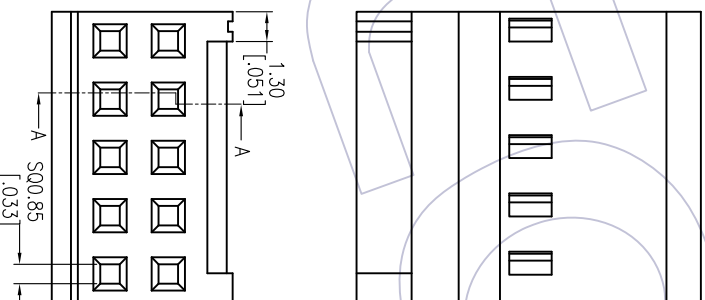
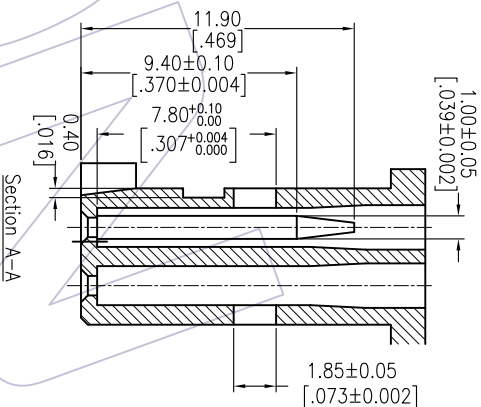
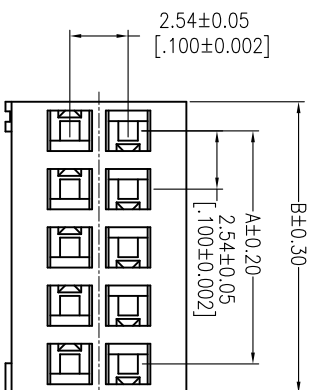
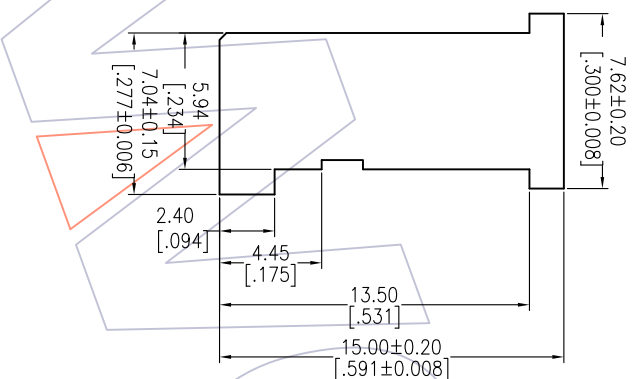
Ordering Information

WF2547 - 2 H XX X 0 1

No. of pins
02P-20P

Color
E=Beige
W=White
B=Black
U=Blue

Packing
0=PE Bag



Dimensional & Ordering Information:

Circuit	Part No.	Dimension	
		A	B
2x02	WF2547-2H02X01	2.54	5.08
2x03	WF2547-2H03X01	5.08	7.62
2x04	WF2547-2H04X01	7.62	10.16
2x05	WF2547-2H05X01	10.16	12.70
2x06	WF2547-2H06X01	12.70	15.24
2x07	WF2547-2H07X01	15.24	17.78
2x08	WF2547-2H08X01	17.78	20.32
2x09	WF2547-2H09X01	20.32	22.86
2x10	WF2547-2H10X01	22.86	25.40
2x12	WF2547-2H12X01	27.94	30.48
2x15	WF2547-2H15X01	35.56	38.10
2x18	WF2547-2H18X01	43.18	45.72
2x20	WF2547-2H20X01	48.26	50.80

REV	DATE	MODIFICATION DESCRIPTION	CHANGE	OPERATION	DRAW	DATE	SCALE	FIT	PART NO.
A1	2013/11/14	Add 2X02P Information		X.X	JHuang	2013/11/14	mm	A4	SEE TAB
AO	2012/09/28	NEW		X.XXX	CHECK		SIZE	1/1	TITLE: 2.54 Housing Dual Row "T" Type
				Angle	APPROVE		SHEET		Customer NO.
				DIM			PROJ.		

WCON

Http: www.wcon.com

WCON-Dongguan
 Tel: +86 769 85358920
 Fax: +86 769 85358915
 E-mail: sales@wcon.com

WCON-Kunshan
 Tel: +86 512 57468408
 Fax: +86 512 57468468
 E-mail: sales@wcon.com

X-ON Electronics

Largest Supplier of Electrical and Electronic Components

Click to view similar products for [Headers & Wire Housings](#) category:

Click to view products by [Wcon](#) manufacturer:

Other Similar products are found below :

[95000-104TRLF](#) [10135584-644402LF](#) [DF62W-EP2022PCA](#) [95000-106TRLF](#) [DF62W-2022SCA](#) [DF62W-EP2022PC](#) [2203348](#) [DF62W-2022SC](#) [1084018](#) [1029039](#) [1084017](#) [802-10-012-10-002000](#) [1112640](#) [1112639](#) [891-007-9SS-BST1T](#) [000-34000](#) [0008550134](#) [0009482033](#) [0009507031](#) [57102-F02-18ULF](#) [57102-S06-03LF](#) [57202-S52-04LF](#) [PCN6-15S-2.5E](#) [0039019024](#) [58102-G61-06LF](#) [582553-1](#) [0009485154](#) [0009508121](#) [0022285053](#) [0050291907](#) [018731A](#) [LY20-4P-DT1-P1E-BR](#) [02.125.8002.8](#) [60101931](#) [60598-1 \(Cut Strip\)](#) [M1625-3R/100](#) [61062-3](#) [61082-181009](#) [CSU011177004](#) [636-1427](#) [638009-1](#) [641938-9](#) [641991-4](#) [644168-1](#) [644827-2](#) [647662-1](#) [65039-019ELF](#) [65692-001LF](#) [65781-018](#) [65781-047](#)