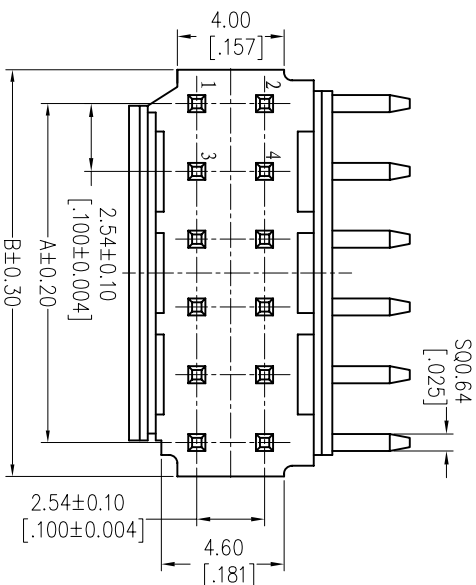


HSF

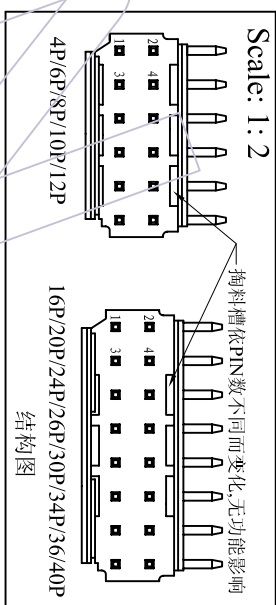
NOTES:

Rated Current: 3.0A
 Contact Resistance: 20mΩ max
 Withstand Voltage: 1000V AC/Minute
 Insulation Resistance: 1000MΩ min
 Operation Temperature: -25°C to +85°C

Contact Material: Brass
 Contact plating: Au Or Sn Over Ni
 Insulator Material: PA66(UL94V-0)



Recommended P.C.B Layout (Top Side)
 (PCB BOARD TOLERANCE±0.05)



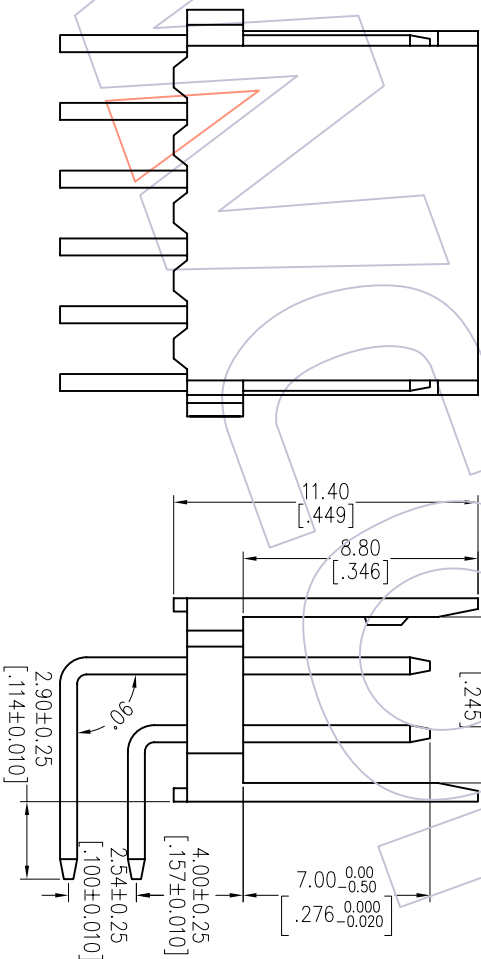
Specification & Ordering Information:

Circuit	Part No.	Dimension	
		A	B
2x02	WF2547-2WR02XX1	2.54	5.08
2x03	WF2547-2WR03XX1	5.08	7.62
2x04	WF2547-2WR04XX1	7.62	10.16
2x05	WF2547-2WR05XX1	10.16	12.70
2x06	WF2547-2WR06XX1	12.70	15.24
2x08	WF2547-2WR08XX1	17.78	20.32
2x10	WF2547-2WR10XX1	22.86	25.40
2x12	WF2547-2WR12XX1	27.94	30.48
2x13	WF2547-2WR13XX1	30.48	33.02
2x15	WF2547-2WR15XX1	35.56	38.10
2x17	WF2547-2WR17XX1	40.64	43.18
2x18	WF2547-2WR18XX1	43.18	45.72
2x20	WF2547-2WR20XX1	48.26	50.80

Ordering Information

WF2547 - 2 WR XX XX X X 1

No.of Row No.of pins Contact Plating Color Packing
 Dual Row 02P-20P S0=Gold Flash/Tin W=White O=PE Bag
 S3=10u"Gold/Tin U=Blue T=Tube
 S4=15u"Gold/Tin B=Black
 S5=30u"Gold/Tin
 G0=Gold Flash
 G3=10u"Gold
 G4=15u"Gold
 G5=30u"Gold
 Blank=Tin



OPERATION

XX ±0.40

XX ±0.25

XX ±0.15

Angle ± 3°

DIM TOL

DRAW JYHuang

CHECK

APPROVE

DATE 2012/09/08

DATE

SCALE FIT

UNIT mm

SIZE A4

SHEET 1/1

PROJ.

PART NO. SEE TAB

TITLE: "T"TYPE 2.54 WAFER 90° DUAL ROW

Customer NO.

WCON

Http: www.wcon.com

WCON-Dongguan WCON-Kunshan

Tel: +86 769 85358920 Tel: +86 512 57468408

Fax: +86 769 85358915 Fax: +86 512 57468468

E-mail: sales@wcon.com E-mail: sales@wcon.com

REV DATE

MODIFICATION DESCRIPTION

CHANGE

NEW

DATE

DATE

PROJ.

Customer NO.

H

G

F

E

D

C

B

A

1 2 3 4 5 6 7 8 9 10

X-ON Electronics

Largest Supplier of Electrical and Electronic Components

Click to view similar products for [Headers & Wire Housings](#) category:

Click to view products by [Wcon](#) manufacturer:

Other Similar products are found below :

[95000-104TRLF](#) [10135584-644402LF](#) [DF62W-EP2022PCA](#) [95000-106TRLF](#) [DF62W-2022SCA](#) [DF62W-EP2022PC](#) [2203348](#) [DF62W-2022SC](#) [1084018](#) [1029039](#) [1084017](#) [802-10-012-10-002000](#) [1112640](#) [1112639](#) [891-007-9SS-BST1T](#) [000-34000](#) [0008550134](#) [0009482033](#) [0009507031](#) [57102-F02-18ULF](#) [57102-S06-03LF](#) [57202-S52-04LF](#) [PCN6-15S-2.5E](#) [0039019024](#) [58102-G61-06LF](#) [582553-1](#) [0009485154](#) [0009508121](#) [0022285053](#) [0050291907](#) [018731A](#) [LY20-4P-DT1-P1E-BR](#) [02.125.8002.8](#) [60101931](#) [60598-1 \(Cut Strip\)](#) [M1625-3R/100](#) [61062-3](#) [61082-181009](#) [CSU011177004](#) [636-1427](#) [638009-1](#) [641938-9](#) [641991-4](#) [644168-1](#) [644827-2](#) [647662-1](#) [65039-019ELF](#) [65692-001LF](#) [65781-018](#) [65781-047](#)