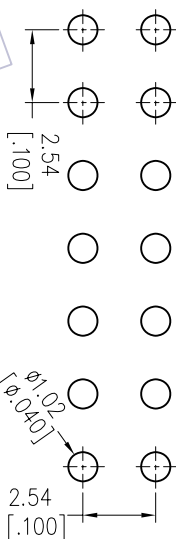
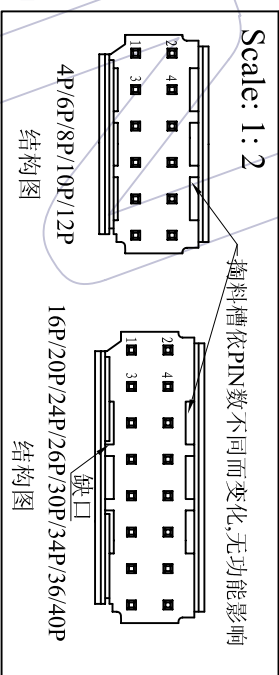
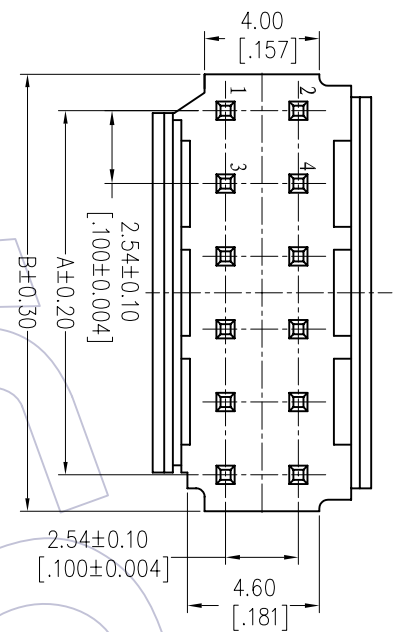


HSF

NOTES:

Rated Current: 3A
 Contact Resistance: 20mΩ max
 Withstand Voltage: 1000V AC/Minute
 Insulation Resistance: 1000MΩ min
 Operation Temperature: -25°C to +85°C

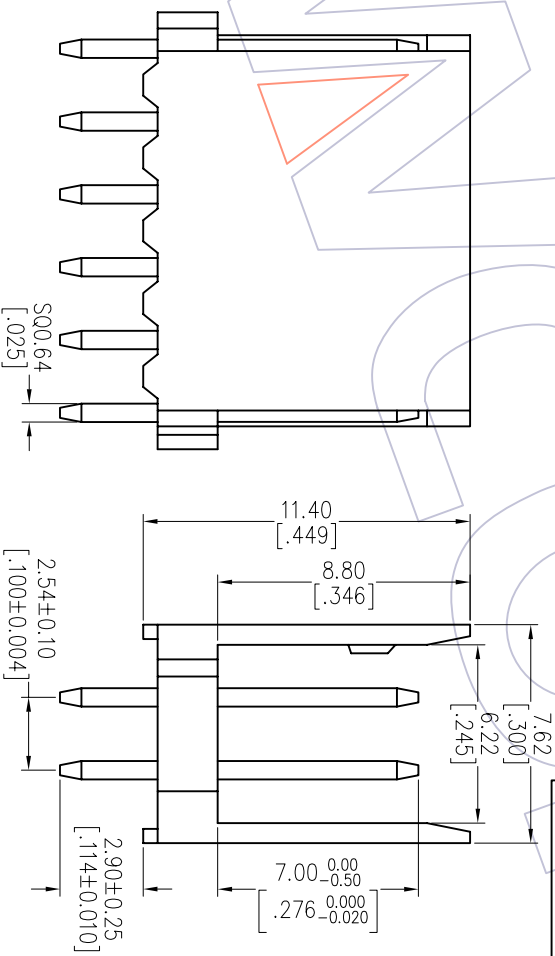
Contact Material: Brass
 Contact plating: Au Or Sn Over Ni
 Insulator Material: PA66(UL94V-0)



Ordering Information

WF2547 - 2 WS XX XX X X I

No. of Row No. of pins Contact Plating Color Packing
 Dual Row 02P~20P S0=Gold Flash/Tin W=White 0=P/E Bag
 S3=10u"Gold/Tin U=Blue T=Tube
 S4=5u"Gold/Tin B=Black
 S5=30u"Gold/Tin
 G0=Gold Flash
 G3=10u"Gold
 G4=15u"Gold
 G5=30u"Gold
 Blank=Tin



Specification & Ordering Information:

Circuit	Part No.	Dimension	
		A	B
2x02	WF2547-2WS02XX1	2.54	5.08
2x03	WF2547-2WS03XX1	5.08	7.62
2x04	WF2547-2WS04XX1	7.62	10.16
2x05	WF2547-2WS05XX1	10.16	12.70
2x06	WF2547-2WS06XX1	12.70	15.24
2x08	WF2547-2WS08XX1	17.78	20.32
2x10	WF2547-2WS10XX1	22.86	25.40
2x12	WF2547-2WS12XX1	27.94	30.48
2x13	WF2547-2WS13XX1	30.48	33.02
2x15	WF2547-2WS15XX1	35.56	38.10
2x17	WF2547-2WS17XX1	40.64	43.18
2x18	WF2547-2WS18XX1	43.18	45.72
2x20	WF2547-2WS20XX1	48.26	50.80

WCON

Http: www.wcon.com

WCON-Dongguan

Tel: +86 769 85358920 Tel: +86 512 57468408
 Fax: +86 769 85358915 Fax: +86 512 57468468
 E-mail: sales@wcon.com E-mail: sales@wcon.com

H

REV	DATE	MODIFICATION DESCRIPTION	CHANGE	OPERATION		DRAW	DATE	SCALE		FIT	PART NO.	
				XX	±0.40			UNIT	SEE TAB		TITLE:	SIZE
AO	2012/09/08	NEW		XX	±0.25	JYHuang	2012/09/08	A4	1/1	1/1	WF2547-2WS18XX1	Customer NO.
				X.XXX	±0.15							
				Angle	± 3°							
				DIM	TOL							

H

X-ON Electronics

Largest Supplier of Electrical and Electronic Components

Click to view similar products for [Pluggable Terminal Blocks](#) category:

Click to view products by [Wcon](#) manufacturer:

Other Similar products are found below :

[57.404.7553](#) [57.504.0053.7](#) [57.510.0053](#) [57.910.6153](#) [01.112.1453](#) [CTB932VE/6](#) [MC 1.5/ 6-ST-3.5 GY AU](#) [ET02015000J0G](#) [734-104](#) [734-302](#) [734-304](#) [8-141-P](#) [FKCT 2.5/ 3-ST KMGY](#) [860505](#) [860508](#) [860516](#) [860810](#) [861908](#) [GBPACX-12](#) [93.731.4953.0](#) [PV05-5,08-K](#) [PVP02-5,00](#) [PVP04-3,50](#) [PVS02-5,00](#) [1-1986160-3](#) [H-10](#) [1546228-5](#) [ELFH09150](#) [ELFH16150](#) [ELFP03110](#) [ELFT06250](#) [ELFT07250](#) [ELVF09400](#) [ELVP03100](#) [ELXH03100](#) [ELXH071G0E](#) [ELXP041G0](#) [ELXT046G0](#) [1700101](#) [1700410](#) [1700425](#) [1703176](#) [1705229](#) [1710175](#) [1714537](#) [1717806](#) [1719600](#) [1729386](#) [1734692](#) [1734795](#)