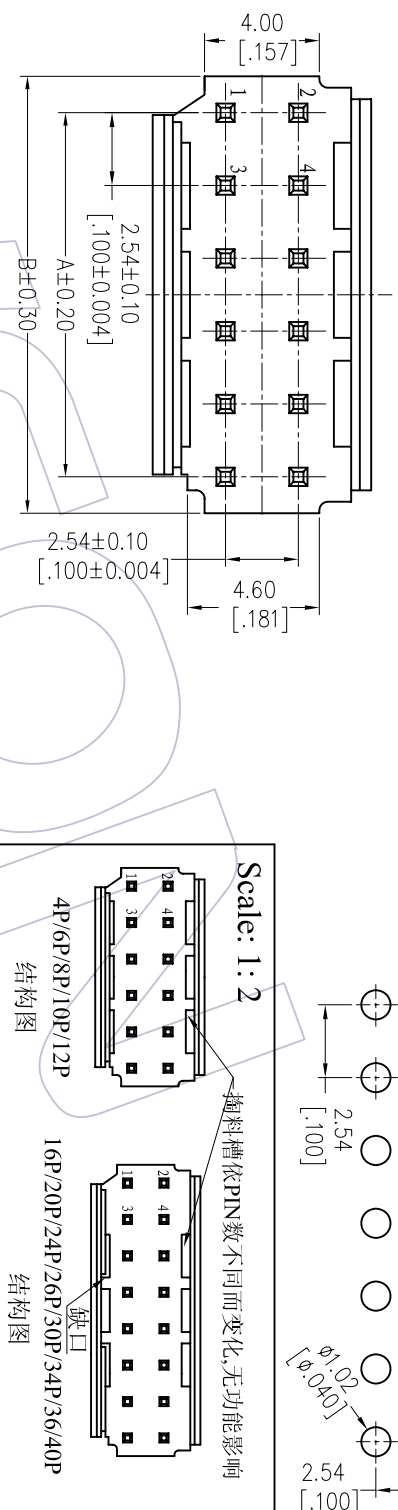


HSF

NOTES:

Rated Current: 3A
 Contact Resistance: 20mΩ max
 Withstand Voltage: 1000V AC/Minute
 Insulation Resistance: 1000MΩ min
 Operation Temperature: -25°C to +85°C

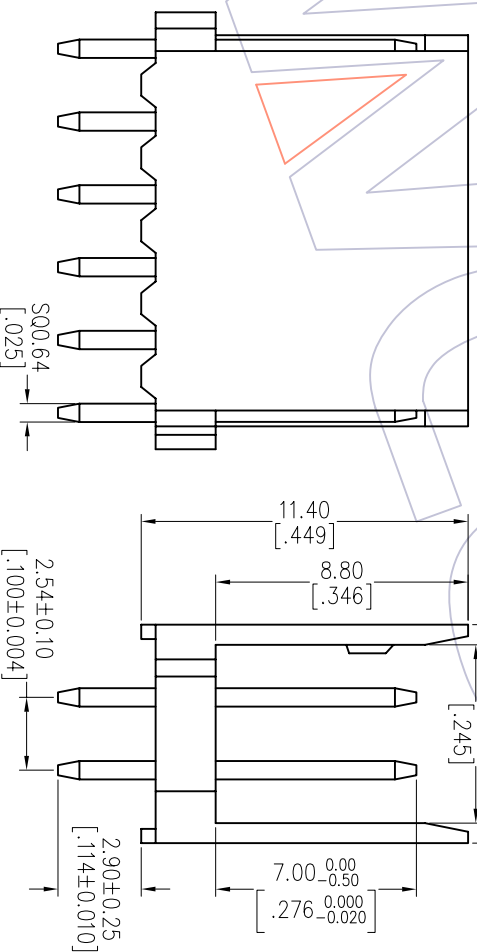
Contact Material: Brass
 Contact plating: Au Or Sn Over Ni
 Insulator Material: PA66(UL94V-0)



Ordering Information

WF2547 - 2 WS XX XX X X I

No. of Rows: Dual Row
 No. of pins: 02P-20P
 Contact Plating: S0=Gold Flash/Tin, S3=10u"Gold/Tin, S4=5u"Gold/Tin, S5=30u"Gold/Tin, G0=Gold Flash, G3=10u"Gold, G4=15u"Gold, G5=30u"Gold, Blank=Tin
 Color: W=White, U=Blue, B=Black
 Packing: 0=PE Bag, T=Tube



Specification & Ordering Information:

Circuit	Part No.	Dimension	
		A	B
2x02	WF2547-2WS02XX1	2.54	5.08
2x03	WF2547-2WS03XX1	5.08	7.62
2x04	WF2547-2WS04XX1	7.62	10.16
2x05	WF2547-2WS05XX1	10.16	12.70
2x06	WF2547-2WS06XX1	12.70	15.24
2x08	WF2547-2WS08XX1	17.78	20.32
2x10	WF2547-2WS10XX1	22.86	25.40
2x12	WF2547-2WS12XX1	27.94	30.48
2x13	WF2547-2WS13XX1	30.48	33.02
2x15	WF2547-2WS15XX1	35.56	38.10
2x17	WF2547-2WS17XX1	40.64	43.18
2x18	WF2547-2WS18XX1	43.18	45.72
2x20	WF2547-2WS20XX1	48.26	50.80

WCON

Http: www.wcon.com

WCON-Dongguan WCON-Kunshan

Tel: +86 769 85358920 Tel: +86 512 57468408
 Fax: +86 769 85358915 Fax: +86 512 57468468
 E-mail: sales@wcon.com E-mail: sales@wcon.com

OPERATION	SCALE	FIT
XX ±0.40	mm	1/1
XX ±0.25	A4	
XXX ±0.15	SHEET	1/1
Angle	PROJ.	
± 3°		

DATE	DATE	DATE
2012/09/08	2012/09/08	

MODIFICATION DESCRIPTION	CHANGE
NEW	

REV	DATE
AO	2012/09/08

X-ON Electronics

Largest Supplier of Electrical and Electronic Components

Click to view similar products for [Pluggable Terminal Blocks](#) category:

Click to view products by [Wcon](#) manufacturer:

Other Similar products are found below :

[57.404.7553](#) [57.504.0053.7](#) [57.510.0053](#) [57.910.6153](#) [01.112.1453](#) [CTB932VE/6](#) [MC 1.5/ 6-ST-3.5 GY AU](#) [ET02015000J0G](#) [734-104](#) [734-302](#) [734-304](#) [8-141-P](#) [FKCT 2.5/ 3-ST KMGY](#) [860505](#) [860508](#) [860516](#) [860810](#) [861908](#) [GBPACX-12](#) [93.731.4953.0](#) [PV05-5,08-K](#) [PVP02-5,00](#) [PVP04-3,50](#) [PVS02-5,00](#) [1-1986160-3](#) [H-10](#) [1546228-5](#) [ELFH09150](#) [ELFH16150](#) [ELFP03110](#) [ELFT06250](#) [ELFT07250](#) [ELVF09400](#) [ELVP03100](#) [ELXH03100](#) [ELXH071G0E](#) [ELXP041G0](#) [ELXT046G0](#) [1700101](#) [1700410](#) [1700425](#) [1703176](#) [1705229](#) [1710175](#) [1714537](#) [1717806](#) [1719600](#) [1729386](#) [1734692](#) [1734795](#)