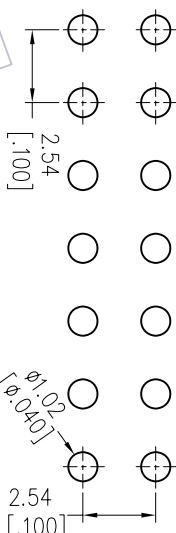
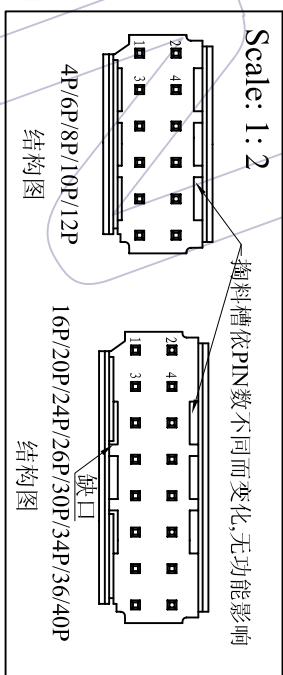
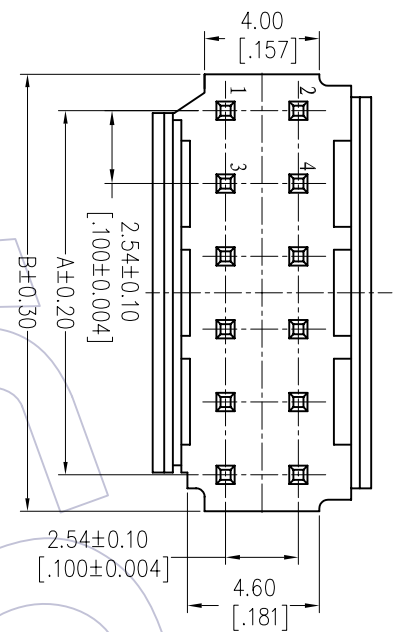


# HSF

### NOTES:

Rated Current: 3A  
 Contact Resistance: 20mΩ max  
 Withstand Voltage: 1000V AC/Minute  
 Insulation Resistance: 1000MΩ min  
 Operation Temperature: -25°C to +85°C

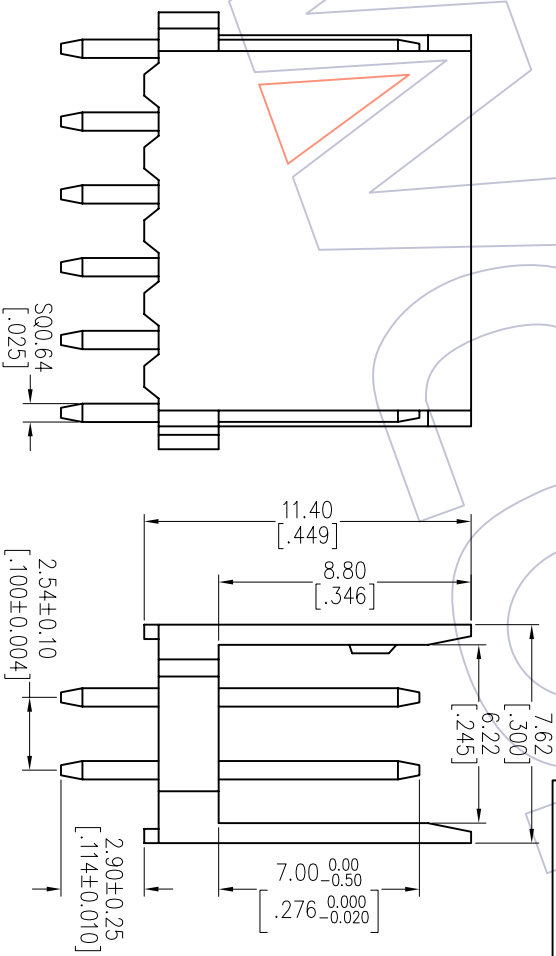
Contact Material: Brass  
 Contact plating: Au Or Sn Over Ni  
 Insulator Material: PA66(UL94V-0)



## Ordering Information

### WF2547 - 2 WS XX XX X X I

No. of Rows    No. of pins    Contact Plating    Color    Packaging  
 Dual Row    02P-20P    S0=Gold Flash/Tin    W=White    0=PE Bag  
 S3=10u"Gold/Tin    U=Blue    T=Tube  
 S4=5u"Gold/Tin    B=Black  
 S5=30u"Gold/Tin  
 G0=Gold Flash  
 G3=10u"Gold  
 G4=15u"Gold  
 G5=30u"Gold  
 Blank=Tin



### Specification & Ordering Information:

Circuit	Part No.	Dimension	
		A	B
2x02	WF2547-2WS02XX1	2.54	5.08
2x03	WF2547-2WS03XX1	5.08	7.62
2x04	WF2547-2WS04XX1	7.62	10.16
2x05	WF2547-2WS05XX1	10.16	12.70
2x06	WF2547-2WS06XX1	12.70	15.24
2x08	WF2547-2WS08XX1	17.78	20.32
2x10	WF2547-2WS10XX1	22.86	25.40
2x12	WF2547-2WS12XX1	27.94	30.48
2x13	WF2547-2WS13XX1	30.48	33.02
2x15	WF2547-2WS15XX1	35.56	38.10
2x17	WF2547-2WS17XX1	40.64	43.18
2x18	WF2547-2WS18XX1	43.18	45.72
2x20	WF2547-2WS20XX1	48.26	50.80

# WCON

Http: www.wcon.com

WCON-Dongguan    WCON-Kunshan

Tel: +86 769 85358920    Tel: +86 512 57468408  
 Fax: +86 769 85358915    Fax: +86 512 57468468  
 E-mail: sales@wcon.com    E-mail: sales@wcon.com

REV	DATE	MODIFICATION DESCRIPTION	CHANGE
AO	2012/09/08	NEW	

OPERATION	±0.40
CHECK	±0.25
ANGLE	±0.15
TOL	± 3°

DRAW	JYHuang	DATE	2012/09/08
CHECK		DATE	
APPROVE		DATE	

SCALE	UNIT	FIT
1/1	A4	1/1
SHEET	PROJ.	

PART NO.	SEE TAB
TITLE:	"T" TYPE 2.54 WAPER 180° DUAL ROW
CUSTOMER NO.	

H

2

3

4

5

6

7

8

9

10

H

## X-ON Electronics

Largest Supplier of Electrical and Electronic Components

*Click to view similar products for [Pluggable Terminal Blocks](#) category:*

*Click to view products by [Wcon](#) manufacturer:*

Other Similar products are found below :

[57.404.7553](#) [57.504.0053.7](#) [57.510.0053](#) [57.910.6153](#) [01.112.1453](#) [CTB932VE/6](#) [MC 1.5/ 6-ST-3.5 GY AU](#) [ET02015000J0G](#) [734-104](#) [734-302](#) [734-304](#) [8-141-P](#) [FKCT 2.5/ 3-ST KMGY](#) [860505](#) [860508](#) [860516](#) [860810](#) [861908](#) [GBPACX-12](#) [93.731.4953.0](#) [PV05-5,08-K](#) [PVP02-5,00](#) [PVP04-3,50](#) [PVS02-5,00](#) [1-1986160-3](#) [H-10](#) [1546228-5](#) [ELFH09150](#) [ELFH16150](#) [ELFP03110](#) [ELFT06250](#) [ELFT07250](#) [ELVF09400](#) [ELVP03100](#) [ELXH03100](#) [ELXH071G0E](#) [ELXP041G0](#) [ELXT046G0](#) [1700101](#) [1700410](#) [1700425](#) [1703176](#) [1705229](#) [1710175](#) [1714537](#) [1717806](#) [1719600](#) [1729386](#) [1734692](#) [1734795](#)