

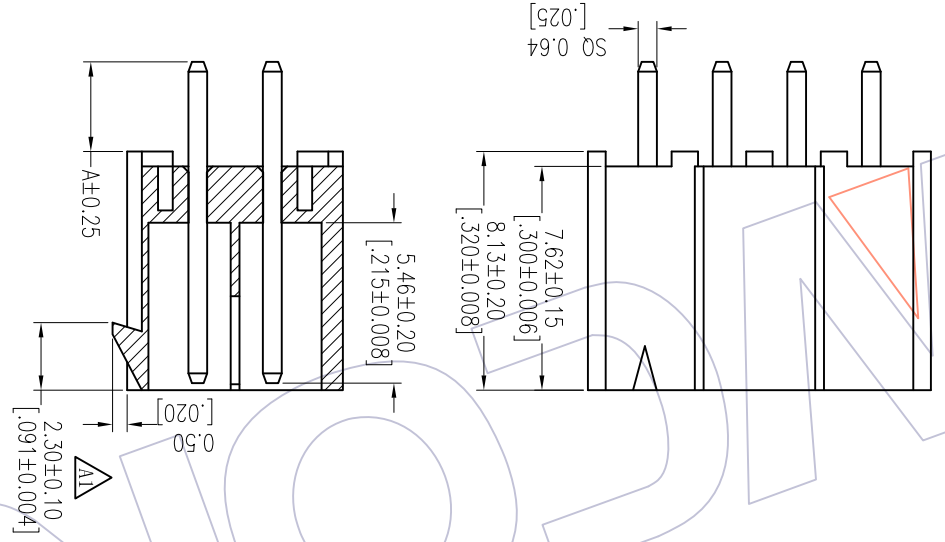
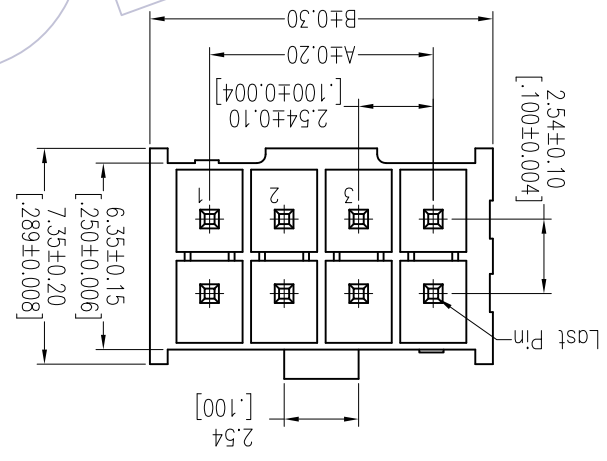
NOTES:
 Rated Current:3.0AMP
 Contact Resistance:20mΩ max
 Withstand Voltage:1000V AC/DC
 Insulation Resistance:1000MΩ min
 Operation Temperature:-55℃ to +125℃

Contact Material:Brass
 Contact plating:Au Or Sn Over Ni
 Insulator Material:PCP+30%GF (UL94V-0)

Ordering Information

WF2549-2 WS XX X 0 1

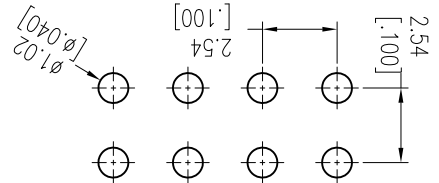
No. of pins 02-25P
 No. of Row
 Packing
 Color
 Contact Plating
 S=Gold Flash/Tm
 S3=10u"Gold/Tm
 S4=15u"Gold/Tm
 S5=30u"Gold/Tm
 G=Gold Flash
 G3=10u"Gold
 G4=15u"Gold
 G5=30u"Gold
 Blank=Tm
 W=White
 E=Beige
 B=Black
 T=Tube



ITEM	Standard	Alternate
A	3.05	

Circuit	Part No.	Dimension	
		A	B
2x02	WF2549-2WS02X01	2.54	6.60
2x03	WF2549-2WS03X01	5.08	9.14
2x04	WF2549-2WS04X01	7.62	11.68
2x05	WF2549-2WS05X01	10.16	14.22
2x06	WF2549-2WS06X01	12.70	16.76
2x07	WF2549-2WS07X01	15.24	19.30
2x08	WF2549-2WS08X01	17.78	21.84
2x09	WF2549-2WS09X01	20.32	24.38
2x10	WF2549-2WS10X01	22.86	26.92
2x11	WF2549-2WS11X01	25.40	29.46
2x12	WF2549-2WS12X01	27.94	32.00
2x13	WF2549-2WS13X01	30.48	34.54
2x14	WF2549-2WS14X01	33.02	37.08
2x15	WF2549-2WS15X01	35.56	39.62
2x16	WF2549-2WS16X01	38.10	42.16
2x17	WF2549-2WS17X01	40.64	44.70
2x18	WF2549-2WS18X01	43.18	47.24
2x19	WF2549-2WS19X01	45.72	49.78
2x20	WF2549-2WS20X01	48.26	52.32
2x21	WF2549-2WS21X01	50.80	54.86
2x22	WF2549-2WS22X01	53.34	57.40
2x23	WF2549-2WS23X01	55.88	59.94
2x24	WF2549-2WS24X01	58.42	62.48
2x25	WF2549-2WS25X01	60.96	65.02

Recommended P.C.B Layout(Top Side)
 (PCB BOARD TOLERANCE±0.05)



REV	DATE	MODIFICATION DESCRIPTION	CHANGE	DIM	TOL	APPROVE	DATE	PROJ.	CUSTOMER NO.	CONTACT INFO
A0	2012/09/10	NEW		Angle	± 3°					
A1	2016/07/27	MODIFY DWAGING		X.xxx	±0.15					
				X.xx	±0.25					
				X.x	±0.40					

OPERATION	DRAW	CHECK	APPROVE	DATE	SCALE	FIT	UNIT	SIZE	SHEET
	JYhuang			2016/07/27			mm	A4	1/1

PART NO.	TITLE:	Customer NO.
SEE TAB	2.54mm WAFER 180° DIP	

DATE	DATE	DATE
2016/07/27		

WCON-Kunshan	WCON-Dongguan
Tel: +86 769 85358920	Tel: +86 769 85358920
Fax: +86 512 57468408	Fax: +86 769 85358915
E-mail: sales@wcon.com	E-mail: sales@wcon.com

X-ON Electronics

Largest Supplier of Electrical and Electronic Components

Click to view similar products for [Pluggable Terminal Blocks](#) category:

Click to view products by [Wcon](#) manufacturer:

Other Similar products are found below :

[57.404.7553](#) [57.504.0053.7](#) [57.510.0053](#) [57.910.6153](#) [01.112.1453](#) [CTB932VE/6](#) [MC 1.5/ 6-ST-3.5 GY AU](#) [ET02015000J0G](#) [734-104](#) [734-302](#) [734-304](#) [8-141-P](#) [FKCT 2.5/ 3-ST KMGY](#) [860505](#) [860508](#) [860516](#) [860810](#) [861908](#) [GBPACX-12](#) [93.731.4953.0](#) [PV05-5,08-K](#) [PVP02-5,00](#) [PVP04-3,50](#) [PVS02-5,00](#) [1-1986160-3](#) [H-10](#) [1546228-5](#) [ELFH09150](#) [ELFH16150](#) [ELFP03110](#) [ELFT06250](#) [ELFT07250](#) [ELVF09400](#) [ELVP03100](#) [ELXH03100](#) [ELXH071G0E](#) [ELXP041G0](#) [ELXT046G0](#) [1700101](#) [1700410](#) [1700425](#) [1703176](#) [1705229](#) [1710175](#) [1714537](#) [1717806](#) [1719600](#) [1729386](#) [1734692](#) [1734795](#)