

HSF

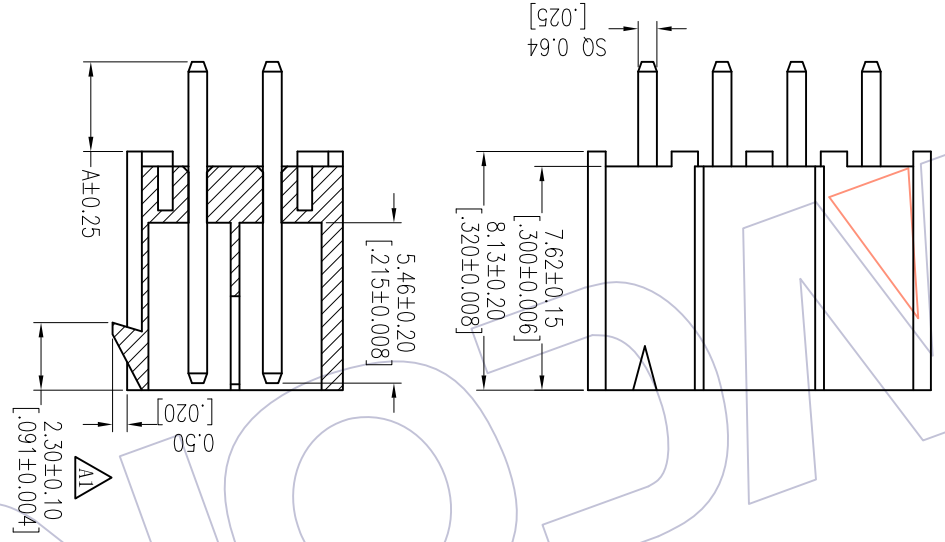
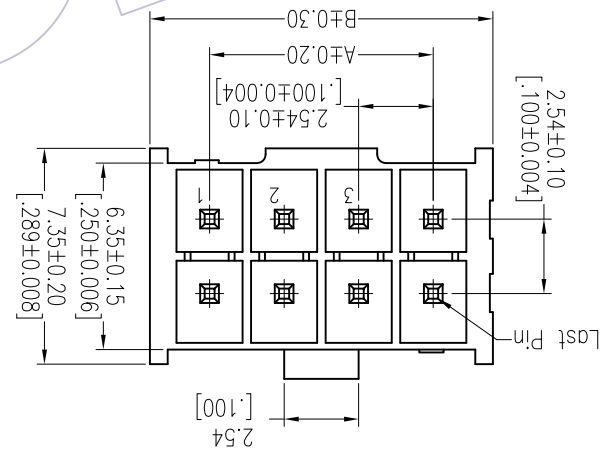
NOTES:
 Rated Current:3.0AMP
 Contact Resistance:20mΩ max
 Withstand Voltage:1000V AC/DC
 Insulation Resistance:1000MΩ min
 Operation Temperature:-55℃ to +125℃

Contact Material:Brass
 Contact plating:Au Or Sn Over Ni
 Insulator Material:PCP+30%GF (UL94V-0)

Ordering Information

WF2549-2 WS XX X 0 1

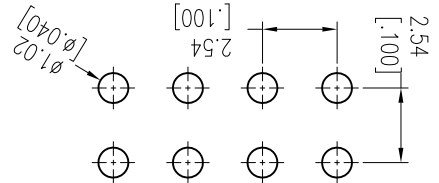
No. of pins 02-25P
 No. of Row
 Color
 Contact Plating
 S=Gold Flash/Tm
 S3=10u"Gold/Tm
 S4=15u"Gold/Tm
 S5=30u"Gold/Tm
 G=Gold Flash
 G3=10u"Gold
 G4=15u"Gold
 G5=30u"Gold
 Blank=Tin
 W=White
 E=Beige
 B=Black
 T=Tube
 P=PE Bag
 Packing



| ITEM | Standard | Alternate |
|------|----------|-----------|
| A | 3.05 | |

| Circuit | Part No. | Dimension |
|---------|-----------------|-----------|
| 2x02 | WF2549-2WS02X01 | 2.54 |
| 2x03 | WF2549-2WS03X01 | 5.08 |
| 2x04 | WF2549-2WS04X01 | 7.62 |
| 2x05 | WF2549-2WS05X01 | 10.16 |
| 2x06 | WF2549-2WS06X01 | 12.70 |
| 2x07 | WF2549-2WS07X01 | 15.24 |
| 2x08 | WF2549-2WS08X01 | 17.78 |
| 2x09 | WF2549-2WS09X01 | 20.32 |
| 2x10 | WF2549-2WS10X01 | 22.86 |
| 2x11 | WF2549-2WS11X01 | 25.40 |
| 2x12 | WF2549-2WS12X01 | 27.94 |
| 2x13 | WF2549-2WS13X01 | 30.48 |
| 2x14 | WF2549-2WS14X01 | 33.02 |
| 2x15 | WF2549-2WS15X01 | 35.56 |
| 2x16 | WF2549-2WS16X01 | 38.10 |
| 2x17 | WF2549-2WS17X01 | 40.64 |
| 2x18 | WF2549-2WS18X01 | 43.18 |
| 2x19 | WF2549-2WS19X01 | 45.72 |
| 2x20 | WF2549-2WS20X01 | 48.26 |
| 2x21 | WF2549-2WS21X01 | 50.80 |
| 2x22 | WF2549-2WS22X01 | 53.34 |
| 2x23 | WF2549-2WS23X01 | 55.88 |
| 2x24 | WF2549-2WS24X01 | 58.42 |
| 2x25 | WF2549-2WS25X01 | 60.96 |
| | | 65.02 |

Recommended P.C.B Layout(Top Side)
 (PCB BOARD TOLERANCE±0.05)



| REV | DATE | MODIFICATION DESCRIPTION | CHANGE | DIM | TOL | APPROVE | DATE | PROJ. | CUSTOMER NO. | WCON-Donqun | WCON-Kunshun |
|-----|------------|--------------------------|--------|-------|-------|---------|------|-------|--------------|-----------------------|------------------------|
| A0 | 2012/09/10 | NEW | | Angle | ± 3° | | | | | Tel: +86 769 85358915 | E-mail: sales@wcon.com |
| A1 | 2016/07/27 | MODIFY DWAGING | | X.xxx | ±0.15 | | | | | Fax: +86 512 57468468 | E-mail: sales@wcon.com |
| | | | | X.xx | ±0.25 | | | | | Tel: +86 512 57468408 | E-mail: sales@wcon.com |
| | | | | X.x | ±0.40 | | | | | | |

| OPERATION | DRAW | CHECK | APPROVE | DATE | SCALE | FIT | UNIT | SIZE | SHEET |
|-----------|---------|-------|---------|------------|-------|-----|------|------|-------|
| | JYhuang | | | 2016/07/27 | | | mm | A4 | 1/1 |

| DATE | DATE | DATE | DATE |
|------------|------|------|------|
| 2016/07/27 | | | |

| PART NO. | TITLE: |
|----------|-----------------------|
| SEE TAB | 2.54mm WAFER 180° DIP |

X-ON Electronics

Largest Supplier of Electrical and Electronic Components

Click to view similar products for [Pluggable Terminal Blocks](#) category:

Click to view products by [Wcon](#) manufacturer:

Other Similar products are found below :

[57.404.7553](#) [57.504.0053.7](#) [57.510.0053](#) [57.910.6153](#) [01.112.1453](#) [CTB932VE/6](#) [MC 1.5/ 6-ST-3.5 GY AU](#) [ET02015000J0G](#) [734-104](#) [734-302](#) [734-304](#) [8-141-P](#) [FKCT 2.5/ 3-ST KMGY](#) [860505](#) [860508](#) [860516](#) [860810](#) [861908](#) [GBPACX-12](#) [93.731.4953.0](#) [PV05-5,08-K](#) [PVP02-5,00](#) [PVP04-3,50](#) [PVS02-5,00](#) [1-1986160-3](#) [H-10](#) [1546228-5](#) [ELFH09150](#) [ELFH16150](#) [ELFP03110](#) [ELFT06250](#) [ELFT07250](#) [ELVF09400](#) [ELVP03100](#) [ELXH03100](#) [ELXH071G0E](#) [ELXP041G0](#) [ELXT046G0](#) [1700101](#) [1700410](#) [1700425](#) [1703176](#) [1705229](#) [1710175](#) [1714537](#) [1717806](#) [1719600](#) [1729386](#) [1734692](#) [1734795](#)