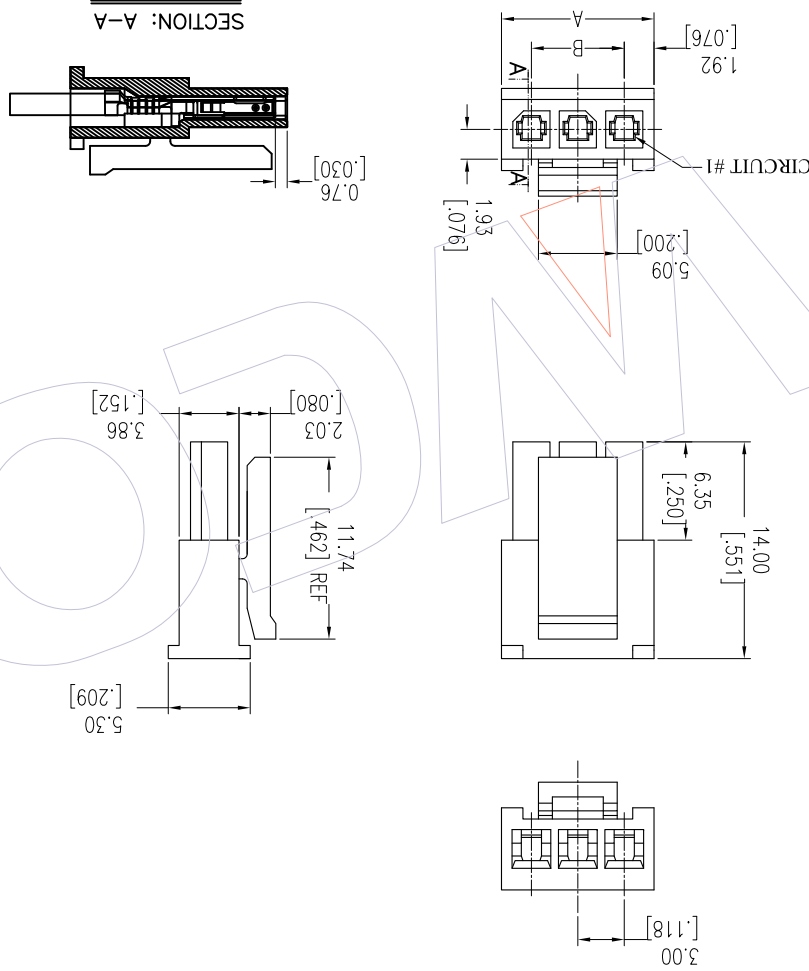


NOTES:  
 Current Rating: 5.0 AMP  
 Voltage Rating: 250V AC/DC  
 Temperature Range: -25°C to +85°C  
 Contact Resistance: 10mΩ Max.  
 Insulation Resistance: 1000MΩ Min.  
 Withstanding Voltage: 1000V AC/Minute  
 Material: PA66(UL94V-0)  
 Color: Black

**Ordering Information**  
 WF3001-1H XX B 01

Terminal Shape  
 No. of Pins  
 Colour:  
 B:Black



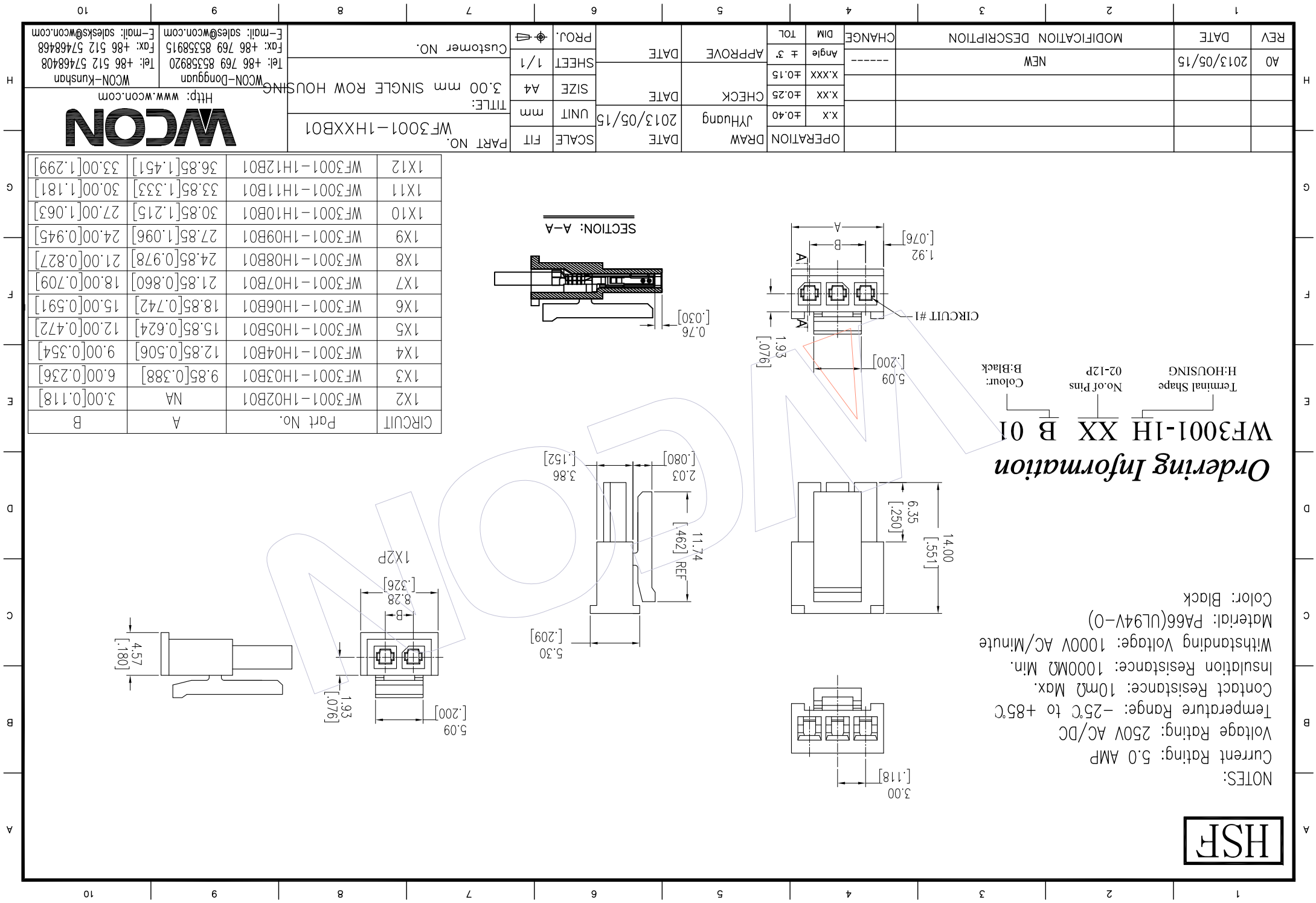
CIRCUIT	Part No.	A	B
1X2	WF3001-1H02B01	NA	3.00 [0.118]
1X3	WF3001-1H03B01	9.85 [0.388]	6.00 [0.236]
1X4	WF3001-1H04B01	12.85 [0.506]	9.00 [0.354]
1X5	WF3001-1H05B01	15.85 [0.624]	12.00 [0.472]
1X6	WF3001-1H06B01	18.85 [0.742]	15.00 [0.591]
1X7	WF3001-1H07B01	21.85 [0.860]	18.00 [0.709]
1X8	WF3001-1H08B01	24.85 [0.978]	21.00 [0.827]
1X9	WF3001-1H09B01	27.85 [1.096]	24.00 [0.945]
1X10	WF3001-1H10B01	30.85 [1.215]	27.00 [1.063]
1X11	WF3001-1H11B01	33.85 [1.333]	30.00 [1.181]
1X12	WF3001-1H12B01	36.85 [1.451]	33.00 [1.299]

REV	DATE	MODIFICATION DESCRIPTION	CHANGE	DIM TOL	APPROVE	DATE	PROJ.	Customer NO.	WCON-Dongguan WCON-Kunshan Tel: +86 769 85358920 Fax: +86 769 85358915 E-mail: sdies@wcon.com E-mail: sdiesks@wcon.com
A0	2013/05/15	NEW	---	Angle ±.3			PROJ. SHEET 1/1		
				X.XXX ±0.15	CHECK	DATE	SIZE	TITLE:	
				X.XX ±0.25			A4	WF3001-1HXXB01	
				X.X ±0.40	OPERATION	DATE	UNIT	SCALE	
					Draw JYHuang	2013/05/15	mm	FIT	



Http: www.wcon.com

3.00 mm SINGLE ROW HOUSING



## X-ON Electronics

Largest Supplier of Electrical and Electronic Components

*Click to view similar products for [Headers & Wire Housings](#) category:*

*Click to view products by [Wcon](#) manufacturer:*

Other Similar products are found below :

[95000-104TRLF](#) [10135584-644402LF](#) [DF62W-EP2022PCA](#) [95000-106TRLF](#) [DF62W-2022SCA](#) [DF62W-EP2022PC](#) [2203348](#) [DF62W-2022SC](#) [1084018](#) [1029039](#) [1084017](#) [802-10-012-10-002000](#) [1112640](#) [1112639](#) [891-007-9SS-BST1T](#) [000-34000](#) [0008550134](#) [0009482033](#) [0009507031](#) [57102-F02-18ULF](#) [57102-S06-03LF](#) [57202-S52-04LF](#) [PCN6-15S-2.5E](#) [0039019024](#) [58102-G61-06LF](#) [582553-1](#) [0009485154](#) [0009508121](#) [0022285053](#) [0050291907](#) [018731A](#) [LY20-4P-DT1-P1E-BR](#) [02.125.8002.8](#) [60101931](#) [60598-1 \(Cut Strip\)](#) [M1625-3R/100](#) [61062-3](#) [61082-181009](#) [CSU011177004](#) [636-1427](#) [638009-1](#) [641938-9](#) [641991-4](#) [644168-1](#) [644827-2](#) [647662-1](#) [65039-019ELF](#) [65692-001LF](#) [65781-018](#) [65781-047](#)