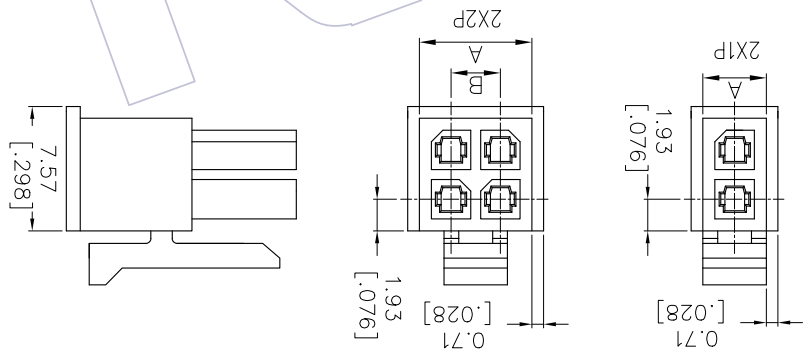
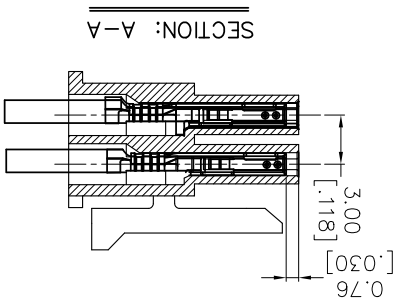
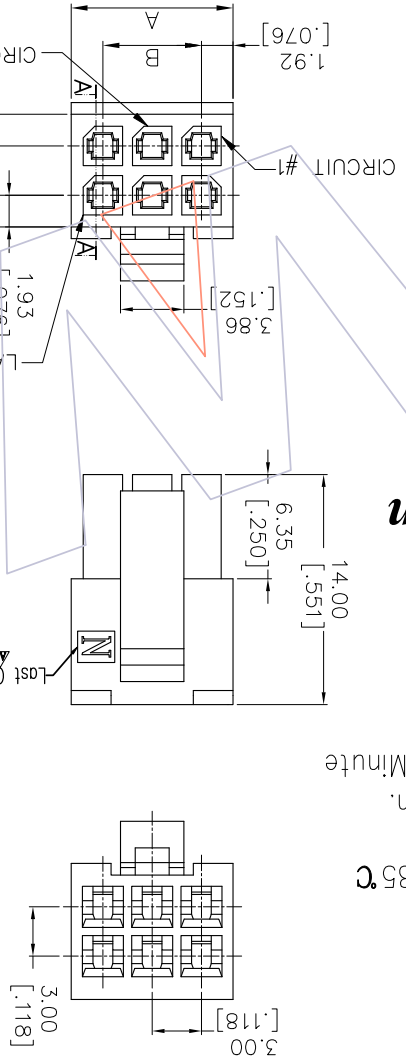


NOTES:
 Current Rating: 5.0 AMP
 Voltage Rating: 250V AC/DC
 Temperature Range: -25°C to +85°C
 Contact Resistance: 10mΩ Max.
 Insulation Resistance: 1000MΩ Min.
 Withstanding Voltage: 1000V AC/Minute
 Material: PA66(UL94V-0)
 Color: Black

Ordering Information

WF3001-2H XX B 01

Terminal Shape
 H:HOUSING
 No.of Pins
 02-12P
 Colour:
 B:Black



Circuit	Part No.	Dimension	
		A	B
2X1	WF3001-2H01B01	3.86	---
2X2	WF3001-2H02B01	6.85	3.00
2X3	WF3001-2H03B01	9.85	6.00
2X4	WF3001-2H04B01	12.85	9.00
2X5	WF3001-2H05B01	15.85	12.00
2X6	WF3001-2H06B01	18.85	15.00
2X7	WF3001-2H07B01	21.85	18.00
2X8	WF3001-2H08B01	24.85	21.00
2X9	WF3001-2H09B01	27.85	24.00
2X10	WF3001-2H10B01	30.85	27.00
2X11	WF3001-2H11B01	33.85	30.00
2X12	WF3001-2H12B01	36.85	33.00

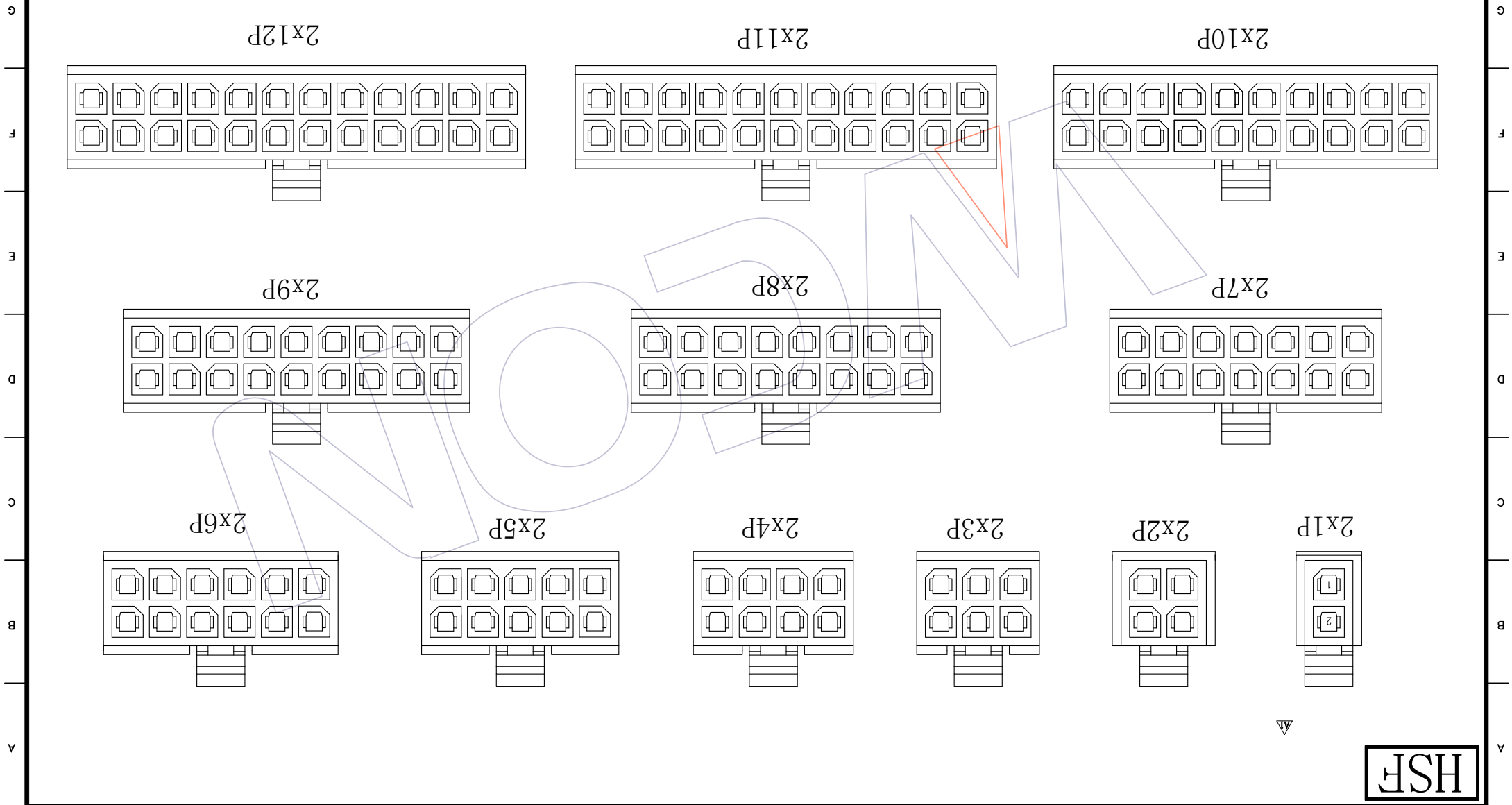
Specification & Ordering Information:

REV	DATE	MODIFICATION DESCRIPTION	CHANGE	DIM TOL	APPROVE	DATE	PROJ.	CUSTOMER NO.
A0	2012/06/12	NEW	---	Angle ± 3°	APPROVE	DATE	PROJ.	Customer NO.
A1	2018/05/24	Add the drawing	---	X.XXX ±0.15	CHECK	DATE	SHEET 1/2	Customer NO.
			---	X.XX ±0.25	DRAW	DATE	SIZE A4	Customer NO.
			---	X.X ±0.40	OPERATION	DATE	UNIT mm	Customer NO.
			---			2018/05/24	SCALE FIT	Customer NO.

WCON
 http://www.wcon.com

WCON-Dongguan
 WCON-Kunshan
 Tel: +86 769 8535892
 Fax: +86 769 8535891
 E-mail: sales@wcon.com

REV	DATE	MODIFICATION DESCRIPTION	CHANGE	DIM TOL	ANGLE	APPROVE	DATE	PROJ.	Customer NO.	WCON-Dongguan WCON-Kunshan Tel: +86 769 85358920 Fax: +86 512 57468468 E-mail: sales@wcon.com
A0	2012/06/12	NEW	---	±.3°	---	DATE	DATE	PROJ.	Customer NO.	
A1	2018/05/24	Add the drawing	---	±.15	±.015	CHECK	DATE	SHEET	3.00mm DUAL ROW HOUSING	WCON Http: www.wcon.com
				±.25	±.025	DATE	2018/05/24	SIZE	TITLE: SEE TAB	
				±.40	±.040	OPERATION	SCALE	UNIT	PART NO.	
						DRAW	FIT	mm		
						Ding		inch		



HSF

X-ON Electronics

Largest Supplier of Electrical and Electronic Components

Click to view similar products for [Headers & Wire Housings](#) category:

Click to view products by [Wcon](#) manufacturer:

Other Similar products are found below :

[95000-104TRLF](#) [10135584-644402LF](#) [DF62W-EP2022PCA](#) [95000-106TRLF](#) [DF62W-2022SCA](#) [DF62W-EP2022PC](#) [2203348](#) [DF62W-2022SC](#) [1084018](#) [1029039](#) [1084017](#) [802-10-012-10-002000](#) [1112640](#) [1112639](#) [891-007-9SS-BST1T](#) [000-34000](#) [0008550134](#) [0009482033](#) [0009507031](#) [57102-F02-18ULF](#) [57102-S06-03LF](#) [57202-S52-04LF](#) [PCN6-15S-2.5E](#) [0039019024](#) [58102-G61-06LF](#) [582553-1](#) [0009485154](#) [0009508121](#) [0022285053](#) [0050291907](#) [018731A](#) [LY20-4P-DT1-P1E-BR](#) [02.125.8002.8](#) [60101931](#) [60598-1 \(Cut Strip\)](#) [M1625-3R/100](#) [61062-3](#) [61082-181009](#) [CSU011177004](#) [636-1427](#) [638009-1](#) [641938-9](#) [641991-4](#) [644168-1](#) [644827-2](#) [647662-1](#) [65039-019ELF](#) [65692-001LF](#) [65781-018](#) [65781-047](#)