

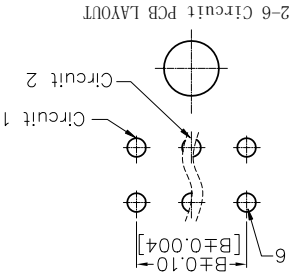
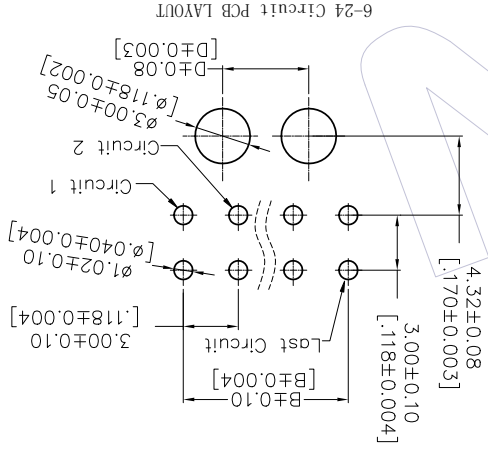
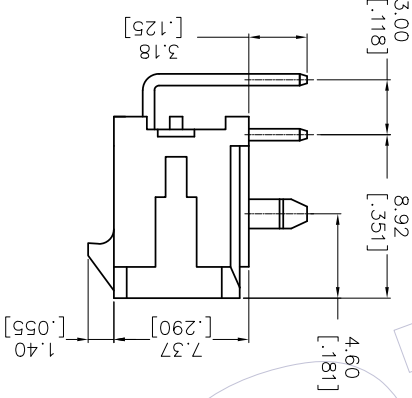
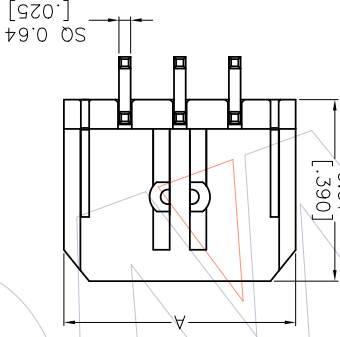
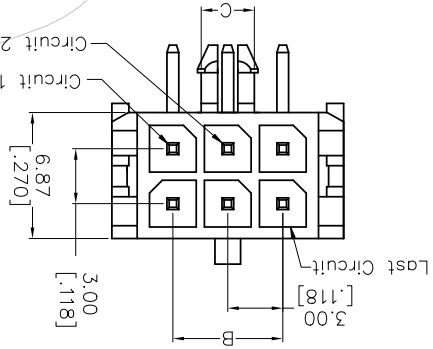
HSF

RECOMMENDED PCB LAYOUT TOLERANCE IS ± 0.05

NOTES:
 Current Rating: 5.0A AMP
 Contact Resistance: 10milliohm Max
 Withstand Voltage: 1000V AC/Minute
 Insulation Resistance: 1000Megohm Min
 Operation Temperature: -25°C to $+85^{\circ}\text{C}$
 Housing Material: LCP+30%GF(UL94V-0)
 Contact Material: Copper alloy
 Contact plating: Au/Sn over Ni Plating

Ordering Information

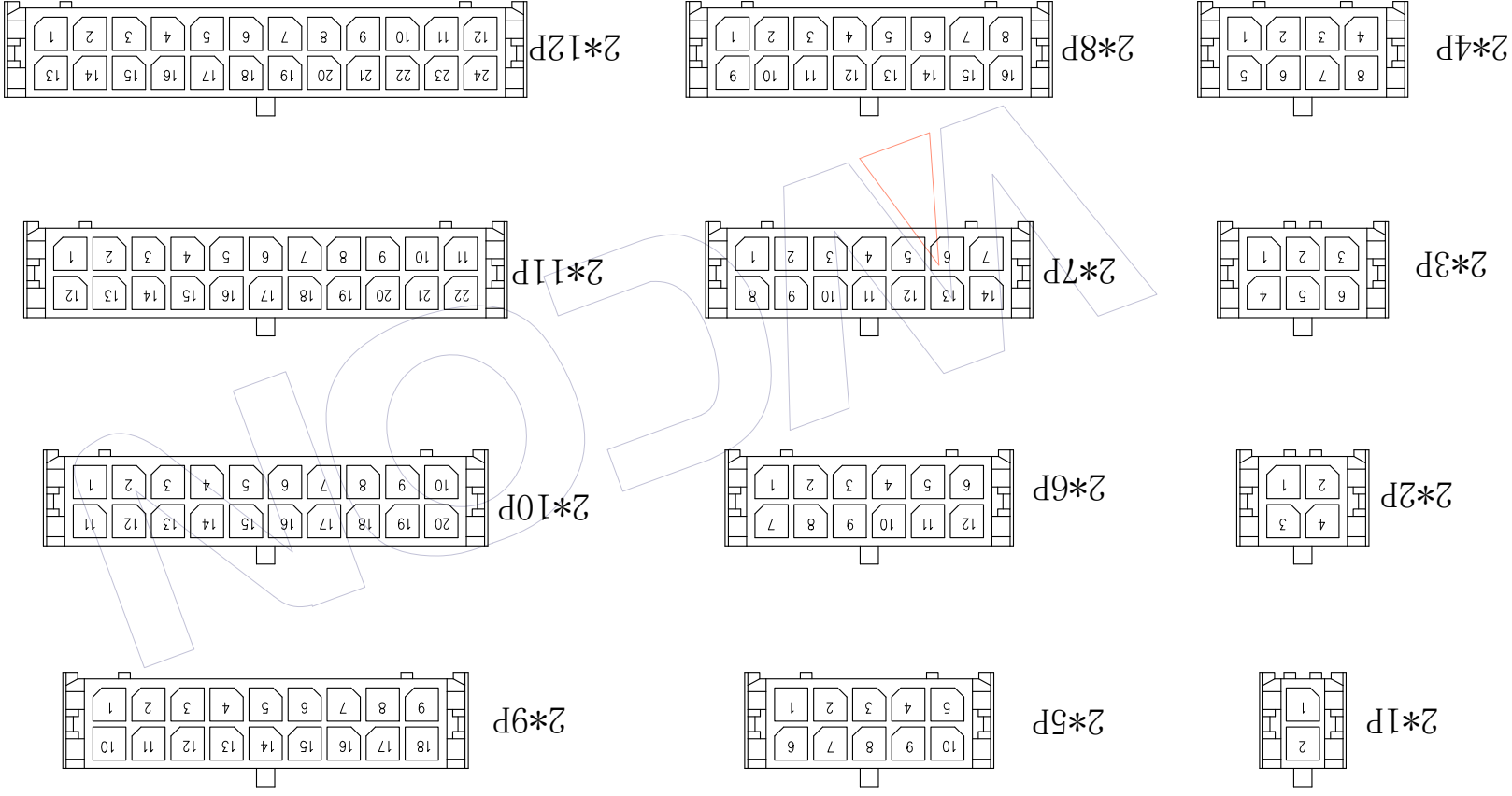
Terminal shape: WR:Water 90° DIP
 NO.of Pins Per Row: 01~12Pin
 Packing: 0=PE Bag
 R=Tape&Reel



| Circuit | A | B | C | D |
|---------|--------------|--------------|--------------|----|
| 2*1 | 6.65[0.262] | NA | 2.90[0.114] | NA |
| 2*2 | 9.65[0.380] | 3.00[0.118] | 2.90[0.114] | NA |
| 2*3 | 12.65[0.498] | 6.00[0.236] | 2.90[0.114] | NA |
| 2*4 | 15.65[0.616] | 7.60[0.299] | 4.70[0.185] | |
| 2*5 | 18.65[0.735] | 12.00[0.473] | 7.70[0.303] | |
| 2*6 | 21.65[0.853] | 15.00[0.591] | 10.70[0.421] | |
| 2*7 | 24.65[0.971] | 18.00[0.709] | 13.70[0.539] | |
| 2*8 | 27.65[1.089] | 21.00[0.827] | 16.70[0.657] | |
| 2*9 | 30.65[1.207] | 24.00[0.945] | 19.70[0.776] | |
| 2*10 | 33.65[1.325] | 27.00[1.063] | 22.70[0.894] | |
| 2*11 | 36.65[1.443] | 30.00[1.181] | 25.70[1.012] | |
| 2*12 | 39.65[1.561] | 33.00[1.299] | 28.70[1.130] | |

| REV | DATE | MODIFICATION DESCRIPTION | CHANGE | | APPROVE | DATE | DRAW | DATE | SCALE | PRT NO. | PART NO. | TITLE: | UNIT | SIZE | SHEET | I/I | PROJ. | Customer NO. | REV | DATE | MODIFICATION DESCRIPTION | CHANGE | DIM | | TOL |
|-----|------------|---------------------------------------|--------|------|---------|---------|------|------------|-------|---------|----------|-------------------|--------------|---------------------|-------|-----|--------------|--------------|-----|------|--------------------------|--------|-------|------|-----|
| | | | Angle | ± | | | | | | | | | | | | | | | | | | | Angle | ± | |
| A1 | 2012.05.03 | 料号由WF3001-2WRHXXBX1变更为WF3001-2WRXXBX1 | Atomly | X.XX | ±0.25 | CHECK | FZY | 2012.05.02 | 1:1 | mm | A4 | 90° DIP WITH POST | WCON-Donggun | 3.00 WAFER DUAL ROW | 9 | 10 | WCON-Kunshan | 2011.12.20 | A0 | NEW | - | X.XXX | ±0.15 | ±0.3 | |
| A0 | 2011.12.20 | NEW | - | | | APPROVE | | | | | | | | | | | | Customer NO. | | | | | | | |

WCON
 Http://www.wcon.com
 WCON-Kunshan
 Tel: +86 769 85358920
 Fax: +86 769 85358915
 E-mail: sales@wcon.com



检验重点:

依实物比对图面,进行防呆缺口方向比对,并与相应PIN数HOUSING对插。

| | | | | | | | | | | |
|----|------------|---------------------------------------|-----|-------------|------------|--|--|--|--|--|
| A0 | REV | 变更记录 | | SCALE | 1:1 | | | | | |
| | 日期 | 变更说明 | | ENGINEERING | 2012.05.03 | | | | | |
| | 2011.12.20 | NEW | | DRAW | FZY | | | | | |
| A1 | 2012.05.03 | 料号由WF3001-2WXHXXBXX变更为WF3001-2WXXXBXX | FZY | 设计 | | | | | | |
| | | | | CHECK | | | | | | |
| | | | | 审核 | | | | | | |
| | | | | APPROVE | | | | | | |
| | | | | 尺寸 | | | | | | |
| | | | | 公差 | | | | | | |
| | | | | 变更 | | | | | | |
| | | | | 变更 | | | | | | |
| | | | | 变更 | | | | | | |
| | | | | 变更 | | | | | | |

X-ON Electronics

Largest Supplier of Electrical and Electronic Components

Click to view similar products for [Headers & Wire Housings](#) category:

Click to view products by [Wcon](#) manufacturer:

Other Similar products are found below :

[95000-104TRLF](#) [10135584-644402LF](#) [DF62W-EP2022PCA](#) [95000-106TRLF](#) [DF62W-2022SCA](#) [DF62W-EP2022PC](#) [2203348](#) [DF62W-2022SC](#) [1084018](#) [1029039](#) [1084017](#) [802-10-012-10-002000](#) [1112640](#) [1112639](#) [891-007-9SS-BST1T](#) [000-34000](#) [0008550134](#) [0009482033](#) [0009507031](#) [57102-F02-18ULF](#) [57102-S06-03LF](#) [57202-S52-04LF](#) [PCN6-15S-2.5E](#) [0039019024](#) [58102-G61-06LF](#) [582553-1](#) [0009485154](#) [0009508121](#) [0022285053](#) [0050291907](#) [018731A](#) [LY20-4P-DT1-P1E-BR](#) [02.125.8002.8](#) [60101931](#) [60598-1 \(Cut Strip\)](#) [M1625-3R/100](#) [61062-3](#) [61082-181009](#) [CSU011177004](#) [636-1427](#) [638009-1](#) [641938-9](#) [641991-4](#) [644168-1](#) [644827-2](#) [647662-1](#) [65039-019ELF](#) [65692-001LF](#) [65781-018](#) [65781-047](#)