

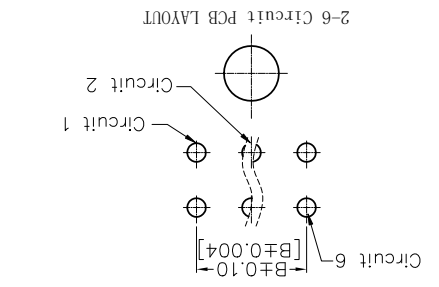
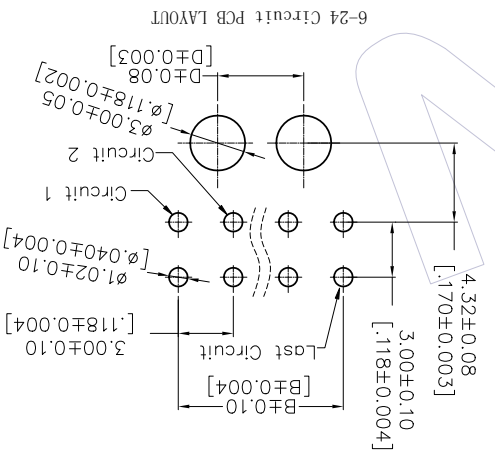
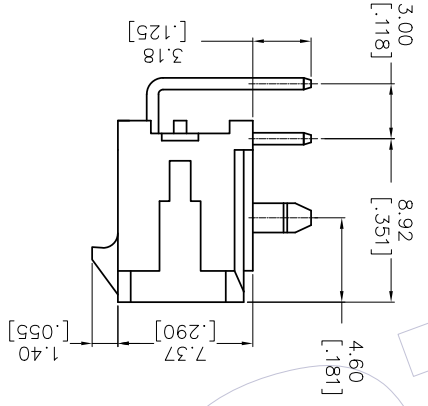
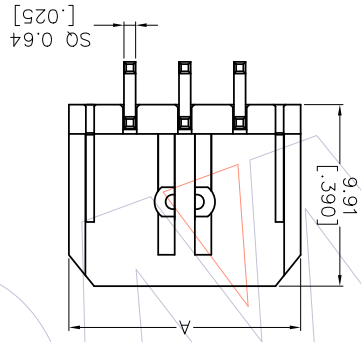
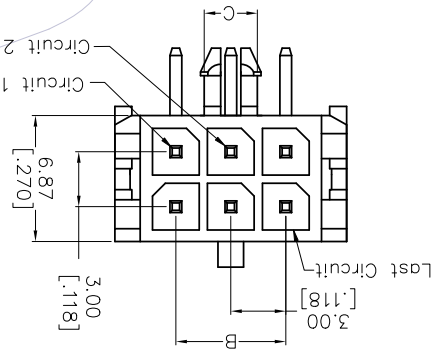
HSF

NOTES:
 Current Rating: 5.0A AMP
 Contact Resistance: 10milliohm Max
 Withstand Voltage: 1000V AC/Minute
 Insulation Resistance: 1000Mmegohm Min
 Operation Temperature: -25°C to +85°C
 Housing Material: LCP+30%GF(UL94V-0)
 Contact Material: Copper alloy
 Contact plating: Au/Sn over Ni Plating

Ordering Information

WF3001-2 WR XX B X 1

Terminal shape: WR:Water 90° DIP
 NO.of Pins Per Row:01~12Pin
 Packing: 0=PE Bag
 A=Tray
 T=Tube
 R=Tape&Reel



REV	DATE	MODIFICATION DESCRIPTION	CHANGE	DIM TOL	APPROVE	DATE	PROJ.	Customer NO.
A0	2011.12.20	NEW	-	Angle ± 3°				
A1	2012.05.03	料号由WF3001-2WRHXXBX1变更为WF3001-2WRXXBX1	Atomly	X.XXX ±0.15	CHECK	DATE	SIZE	
				X.XX ±0.25	FZY	2012.05.02	UNIT	
				X.X ±0.40	DRAW	DATE	SCALE	
							mm	
							inch	
							1:1	
							PART NO.	
							WF3001-2WRXXBX1	
							TITLE:	
							3.00 WAFER DUAL ROW	
							90° DIP WITH POST	
							SHEET	
							I/1	

2*12	39.65[1.561]	33.00[1.299]	31.60[1.244]	28.70[1.130]
2*11	36.65[1.443]	30.00[1.181]	28.60[1.126]	25.70[1.012]
2*10	33.65[1.325]	27.00[1.063]	25.60[1.008]	22.70[0.894]
2*9	30.65[1.207]	24.00[0.945]	22.60[0.890]	19.70[0.776]
2*8	27.65[1.089]	21.00[0.827]	19.60[0.772]	16.70[0.657]
2*7	24.65[0.971]	18.00[0.709]	16.60[0.654]	13.70[0.539]
2*6	21.65[0.853]	15.00[0.591]	13.60[0.536]	10.70[0.421]
2*5	18.65[0.735]	12.00[0.473]	10.60[0.418]	7.70[0.303]
2*4	15.65[0.616]	9.00[0.355]	7.60[0.299]	4.70[0.185]
2*3	12.65[0.498]	6.00[0.236]	2.90[0.114]	NA
2*2	9.65[0.380]	3.00[0.118]	2.90[0.114]	NA
2*1	6.65[0.262]	NA	2.90[0.114]	NA
Circuit	A	B	C	D

WCON
 WCON-Dongguan
 WCON-Kunshan
 Http://www.wcon.com
 Tel: +86 769 85358920
 Fax: +86 769 85358915
 E-mail: sales@wcon.com

RECOMMENDED PCB LAYOUT
 TOLERANCE IS ±0.05

X-ON Electronics

Largest Supplier of Electrical and Electronic Components

Click to view similar products for [Headers & Wire Housings](#) category:

Click to view products by [Wcon](#) manufacturer:

Other Similar products are found below :

[95000-104TRLF](#) [10135584-644402LF](#) [DF62W-EP2022PCA](#) [95000-106TRLF](#) [DF62W-2022SCA](#) [DF62W-EP2022PC](#) [2203348](#) [DF62W-2022SC](#) [1084018](#) [1029039](#) [1084017](#) [802-10-012-10-002000](#) [1112640](#) [1112639](#) [891-007-9SS-BST1T](#) [000-34000](#) [0008550134](#) [0009482033](#) [0009507031](#) [57102-F02-18ULF](#) [57102-S06-03LF](#) [57202-S52-04LF](#) [PCN6-15S-2.5E](#) [0039019024](#) [58102-G61-06LF](#) [582553-1](#) [0009485154](#) [0009508121](#) [0022285053](#) [0050291907](#) [018731A](#) [LY20-4P-DT1-P1E-BR](#) [02.125.8002.8](#) [60101931](#) [60598-1 \(Cut Strip\)](#) [M1625-3R/100](#) [61062-3](#) [61082-181009](#) [CSU011177004](#) [636-1427](#) [638009-1](#) [641938-9](#) [641991-4](#) [644168-1](#) [644827-2](#) [647662-1](#) [65039-019ELF](#) [65692-001LF](#) [65781-018](#) [65781-047](#)