



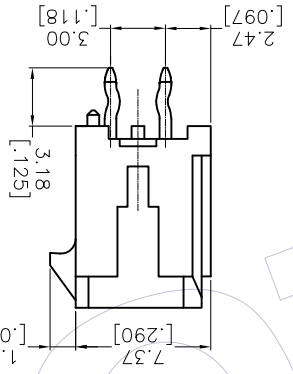
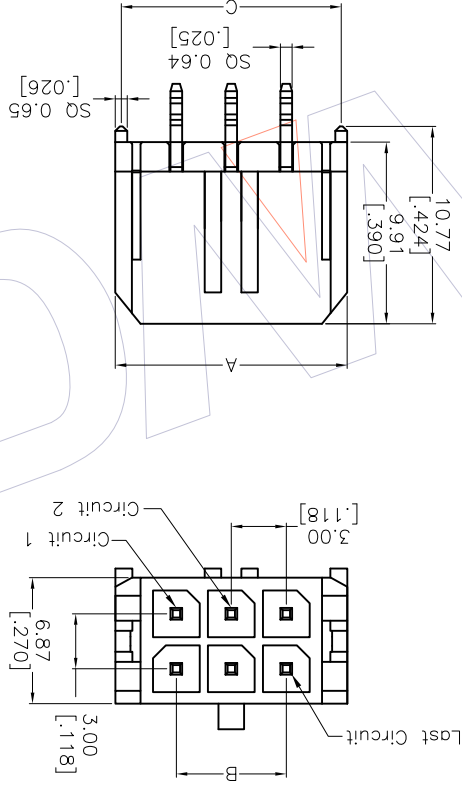
NOTES:

Current Rating:5.0A AMP
 Contact Resistance:10milliohm Max
 Withstand Voltage:1000V AC/Minute
 Insulation Resistance:1000Megaohm Min
 Operation Temperature:-25°C to +85°C
 Housing Material:LCP+30%GF(UL94V-0)
 Contact Material:Copper alloy
 Contact plating:Au/Sn over Ni Plating

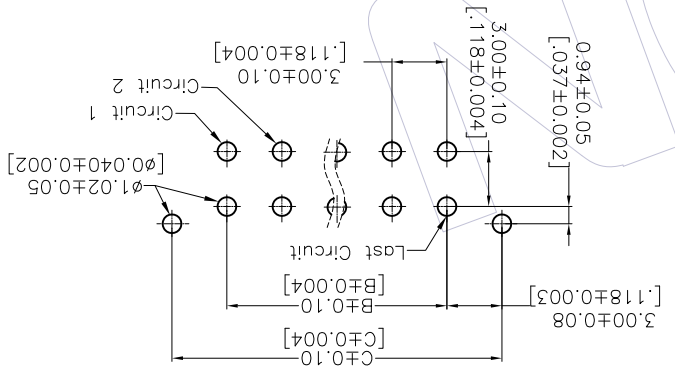
Ordering Information

WF3001-2 WS XX BX 1

Terminal shape: WS:Water 180° DIP
 NO. of Pins Per Row:01~12Pin
 Packing: 0=PE Bag
 T=Tube
 A=Tray
 R=Tape&Reel



RECOMMENDED PCB LAYOUT
 TOLERANCE IS ±0.05

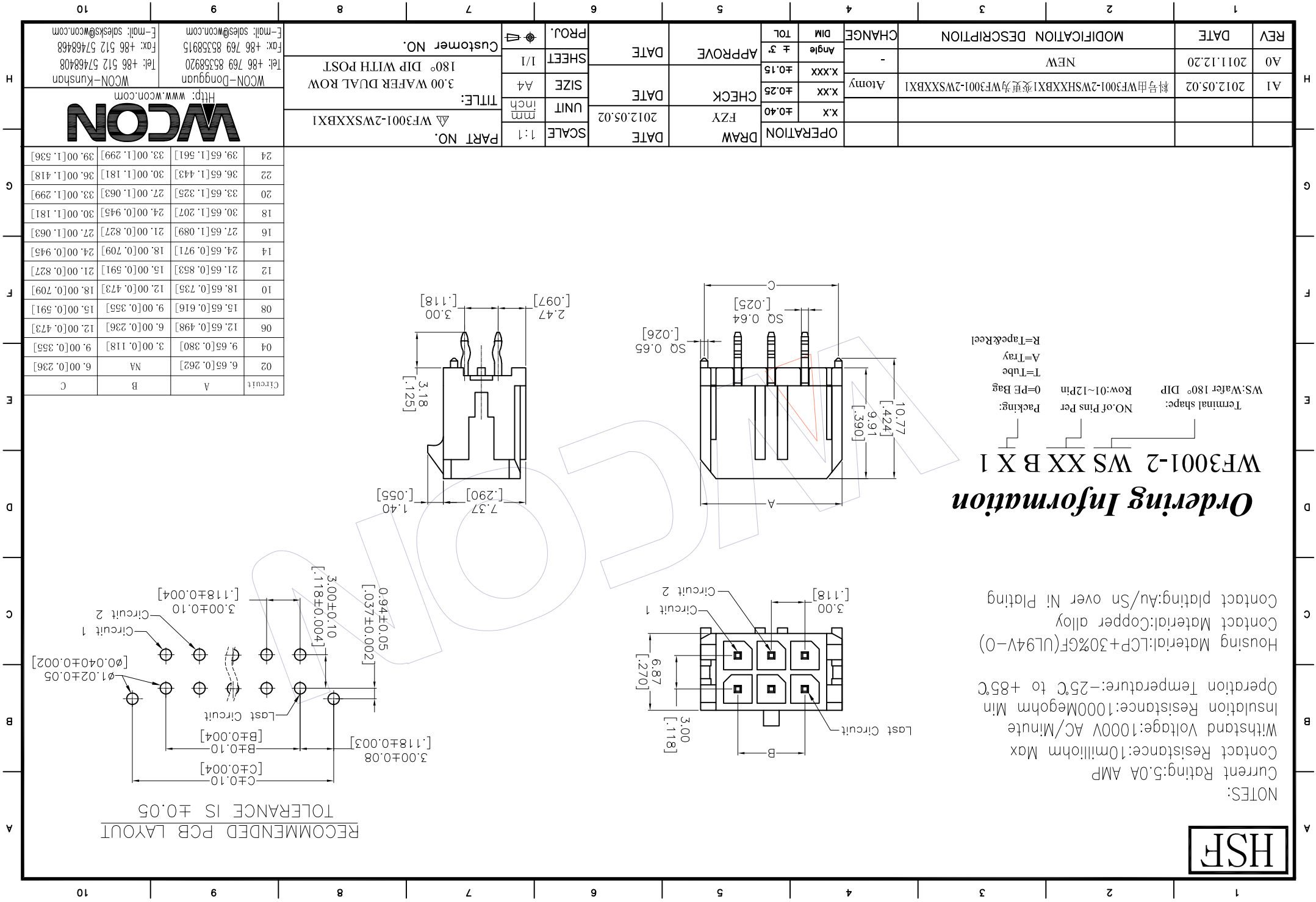


REV	DATE	MODIFICATION DESCRIPTION	CHANGE	DIM	TOL	APPROVE	DATE	PROJ.	CUSTOMER NO.
A0	2011.12.20	NEW	-	Angle	±.3				
A1	2012.05.02	料号由WF3001-2WSHXXBXX1变更为WF3001-2WSXXBXX1	Atomly	X.XXX	±0.15	CHECK	DATE	SIZE	Customer NO.
				X.XX	±0.25			A4	3.00 WAFER DUAL ROW
				X.X	±0.40	DRAW	DATE	UNIT	TITLE:
						FZY	2012.05.02	mm	WF3001-2WSXXBXX1
						OPERATION		SCALE	PART NO.
								1:1	

Circuit	A	B	C
02	6.65 [0.262]	NA	6.00 [0.236]
04	9.65 [0.380]	3.00 [0.118]	9.00 [0.355]
06	12.65 [0.498]	6.00 [0.236]	12.00 [0.473]
08	15.65 [0.616]	9.00 [0.355]	15.00 [0.591]
10	18.65 [0.735]	12.00 [0.473]	18.00 [0.709]
12	21.65 [0.853]	15.00 [0.591]	21.00 [0.827]
14	24.65 [0.971]	18.00 [0.709]	24.00 [0.945]
16	27.65 [1.089]	21.00 [0.827]	27.00 [1.063]
18	30.65 [1.207]	24.00 [0.945]	30.00 [1.181]
20	33.65 [1.325]	27.00 [1.063]	33.00 [1.299]
22	36.65 [1.443]	30.00 [1.181]	36.00 [1.418]
24	39.65 [1.561]	33.00 [1.299]	39.00 [1.536]



WCON-Dongguan
 WCON-Kunshan
 Http: www.wcon.com
 Tel: +86 769 85358920
 Fax: +86 769 85358915
 [E-mail: sales@wcon.com
 [E-mail: sales@wcon.com
 Tel: +86 512 57468408
 Fax: +86 512 57468468
 [E-mail: sales@wcon.com]



X-ON Electronics

Largest Supplier of Electrical and Electronic Components

Click to view similar products for [Headers & Wire Housings](#) category:

Click to view products by [Wcon](#) manufacturer:

Other Similar products are found below :

[95000-104TRLF](#) [10135584-644402LF](#) [DF62W-EP2022PCA](#) [95000-106TRLF](#) [DF62W-2022SCA](#) [DF62W-EP2022PC](#) [2203348](#) [DF62W-2022SC](#) [1084018](#) [1029039](#) [1084017](#) [802-10-012-10-002000](#) [1112640](#) [1112639](#) [891-007-9SS-BST1T](#) [000-34000](#) [0008550134](#) [0009482033](#) [0009507031](#) [57102-F02-18ULF](#) [57102-S06-03LF](#) [57202-S52-04LF](#) [PCN6-15S-2.5E](#) [0039019024](#) [58102-G61-06LF](#) [582553-1](#) [0009485154](#) [0009508121](#) [0022285053](#) [0050291907](#) [018731A](#) [LY20-4P-DT1-P1E-BR](#) [02.125.8002.8](#) [60101931](#) [60598-1 \(Cut Strip\)](#) [M1625-3R/100](#) [61062-3](#) [61082-181009](#) [CSU011177004](#) [636-1427](#) [638009-1](#) [641938-9](#) [641991-4](#) [644168-1](#) [644827-2](#) [647662-1](#) [65039-019ELF](#) [65692-001LF](#) [65781-018](#) [65781-047](#)