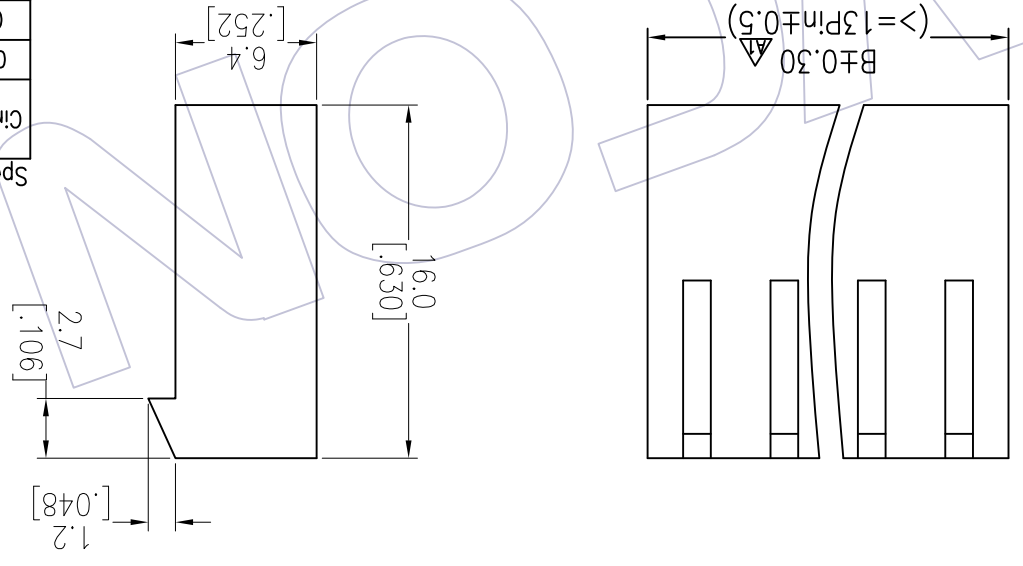


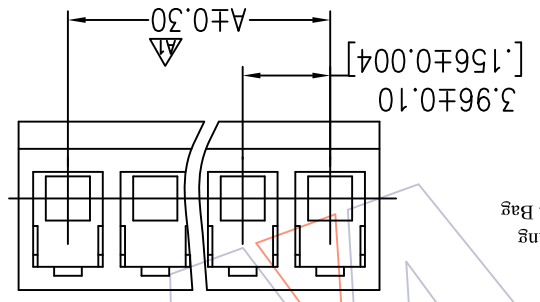
NOTES:
 Rated Current:5.0AMP
 Contact Resistance:20mΩ max
 Withstand Voltage:100V AC/DC
 Insulation Resistance:1000MΩ min
 Operation Temperature:-25℃ to +85℃
 Insulator Material:PA66 UL94V-0
 Use with:WF3961-T
 Mated with:WF3961-Wafer



Ordering Information

WF 3961 - H XX W 0 1

No. of pins
 Color
 Packing
 02Pm~20Pm
 E=Beige
 W=White
 0=PE Bag



Part No.	Circuit	Dimension
WF3961-H02W01	A	8.68
WF3961-H03W01	A	7.92
WF3961-H04W01	A	11.88
WF3961-H05W01	A	15.84
WF3961-H06W01	A	19.80
WF3961-H07W01	A	23.76
WF3961-H08W01	A	27.72
WF3961-H09W01	A	31.68
WF3961-H10W01	A	35.64
WF3961-H11W01	A	39.60
WF3961-H12W01	A	43.56
WF3961-H13W01	A	47.52
WF3961-H14W01	A	51.48
WF3961-H15W01	A	55.44
WF3961-H16W01	A	59.40
WF3961-H16W01	A	64.12

Specification & Ordering Information:

REV	DATE	MODIFICATION DESCRIPTION	CHANGE	DIM TOL	APPROVE	DATE	PROJ.	Customer NO.	WCON-Donguan
A0	2012/09/11	NEW		Angle ± 3°	APPROVE	DATE	PROJ.		E-mail: sales@wcon.com
A1	2016/08/23	MODIFY DIM. B	△	X.XXX ±0.15	CHECK	DATE	SHEET 1/1	Customer NO.	Fax: +86 769 85358915
				X.XX ±0.25	CHECK	DATE	SIZE A4		Tel: +86 769 85358920
				X.X ±0.40	DRAW	DATE	UNIT mm		WCON-Kunshan
					Surong Xu	2016/08/23	SCALE	PART NO.	Http: www.wcon.com
							FIT	TITLE: SEE TAB	



WCON-Donguan
 WCON-Kunshan
 E-mail: sales@wcon.com
 Fax: +86 769 85358915
 Tel: +86 769 85358920

X-ON Electronics

Largest Supplier of Electrical and Electronic Components

Click to view similar products for [Headers & Wire Housings](#) category:

Click to view products by [Wcon](#) manufacturer:

Other Similar products are found below :

[95000-104TRLF](#) [10135584-644402LF](#) [DF62W-EP2022PCA](#) [95000-106TRLF](#) [DF62W-2022SCA](#) [DF62W-EP2022PC](#) [2203348](#) [DF62W-2022SC](#) [1084018](#) [1029039](#) [1084017](#) [802-10-012-10-002000](#) [1112640](#) [1112639](#) [891-007-9SS-BST1T](#) [000-34000](#) [0008550134](#) [0009482033](#) [0009507031](#) [57102-F02-18ULF](#) [57102-S06-03LF](#) [57202-S52-04LF](#) [PCN6-15S-2.5E](#) [0039019024](#) [58102-G61-06LF](#) [582553-1](#) [0009485154](#) [0009508121](#) [0022285053](#) [0050291907](#) [018731A](#) [LY20-4P-DT1-P1E-BR](#) [02.125.8002.8](#) [60101931](#) [60598-1 \(Cut Strip\)](#) [M1625-3R/100](#) [61062-3](#) [61082-181009](#) [CSU011177004](#) [636-1427](#) [638009-1](#) [641938-9](#) [641991-4](#) [644168-1](#) [644827-2](#) [647662-1](#) [65039-019ELF](#) [65692-001LF](#) [65781-018](#) [65781-047](#)