

HSE

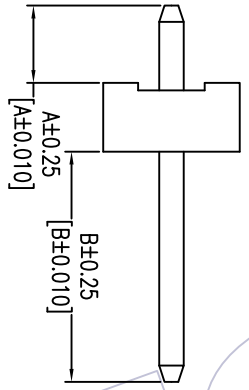
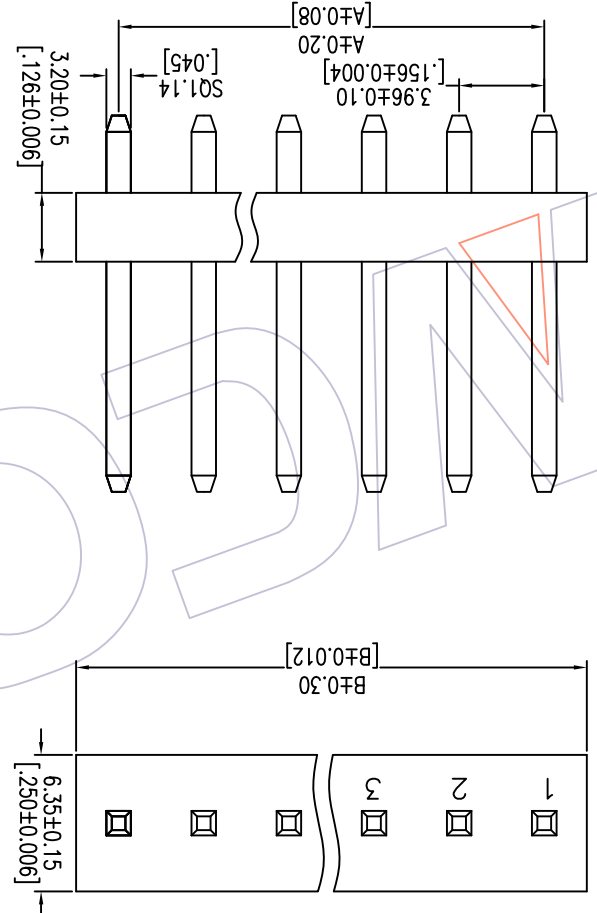
NOTES:

Current Rating:7.0AMP
 Contact Resistance:20mΩ Max
 Withstand Voltage:1500V AC/DC
 Insulation Resistance:1000MΩ Min
 Operation Temperature:-40℃ to +105℃

Contact Material: Brass
 Contact plating: Au or Sn over Ni
 Insulator Material: PA66 UL94V-2(STD)
 or 94V-0

Ordering Information

WF3962-WS XX W 0 X
 No. of pins
 02-24P
 Contact Plating
 G0=Gold Flash
 G3=10u"Gold
 G4=15u"Gold
 G5=30u"Gold
 Blank=Tin
 Color
 W=White
 0=PE Bag
 Packing

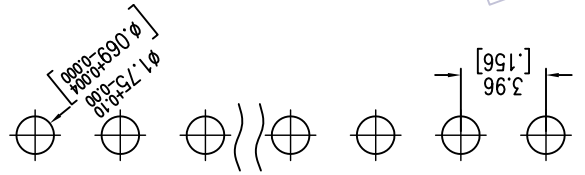


ITEM	A	B
Standard	3.60	10.7
Alternate		

Circuit	Part No.	Dimension	
		A	B
02	WF3962-WS02W0X	3.96	7.92
03	WF3962-WS03W0X	7.92	11.88
04	WF3962-WS04W0X	11.88	15.84
05	WF3962-WS05W0X	15.84	19.80
06	WF3962-WS06W0X	19.80	23.76
07	WF3962-WS07W0X	23.76	27.72
08	WF3962-WS08W0X	27.72	31.68
09	WF3962-WS09W0X	31.68	35.64
10	WF3962-WS10W0X	35.64	39.60
11	WF3962-WS11W0X	39.60	43.56
12	WF3962-WS12W0X	43.56	47.52
13	WF3962-WS13W0X	47.52	51.48
14	WF3962-WS14W0X	51.48	55.44
15	WF3962-WS15W0X	55.44	59.40
16	WF3962-WS16W0X	59.40	63.36
17	WF3962-WS17W0X	63.36	67.32
18	WF3962-WS18W0X	67.32	71.28
19	WF3962-WS19W0X	71.28	75.24
20	WF3962-WS20W0X	75.24	79.20
21	WF3962-WS21W0X	79.20	83.16
22	WF3962-WS22W0X	83.16	87.12
23	WF3962-WS23W0X	87.12	91.08
24	WF3962-WS24W0X	91.08	95.04

Specification & Ordering Information:

Recommended P.C.B Layout(Top Side)
 (PCB BOARD TOLERANCE±0.05)



REV	DATE	MODIFICATION DESCRIPTION	CHANGE	DIM TOL	APPROVE	DATE	PROJ.	CUSTOMER NO.
A0	2012/09/15	NEW		Angle ± 3°	APPROVE	DATE	PROJ.	Customer NO.
A1	2016/09/01	Modify	△	X.xxx ±0.15	CHECK	DATE	SHEET 1/1	WCON-Kunshun
				X.xx ±0.25	DRAW	DATE	SIZE A4	WCON-Dongguan
				X.x ±0.40	SCALE	DATE	UNIT mm	WCON-Kunshun

PART NO. SEE TAB
 TITLE: 3.96 WAFER 180°
 WCON
 Http://www.wcon.com

WCON
 Http://www.wcon.com
 Tel: +86 769 85358920
 Fax: +86 769 85358915
 E-mail: sales@wcon.com

WCON-Kunshun
 Tel: +86 512 57468408
 Fax: +86 512 57468468
 E-mail: sales@wcon.com

X-ON Electronics

Largest Supplier of Electrical and Electronic Components

Click to view similar products for [Headers & Wire Housings](#) category:

Click to view products by [Wcon](#) manufacturer:

Other Similar products are found below :

[95000-104TRLF](#) [10135584-644402LF](#) [DF62W-EP2022PCA](#) [95000-106TRLF](#) [DF62W-2022SCA](#) [DF62W-EP2022PC](#) [2203348](#) [DF62W-2022SC](#) [1084018](#) [1029039](#) [1084017](#) [802-10-012-10-002000](#) [1112640](#) [1112639](#) [891-007-9SS-BST1T](#) [000-34000](#) [0008550134](#) [0009482033](#) [0009507031](#) [57102-F02-18ULF](#) [57102-S06-03LF](#) [57202-S52-04LF](#) [PCN6-15S-2.5E](#) [0039019024](#) [58102-G61-06LF](#) [582553-1](#) [0009485154](#) [0009508121](#) [0022285053](#) [0050291907](#) [018731A](#) [LY20-4P-DT1-P1E-BR](#) [02.125.8002.8](#) [60101931](#) [60598-1 \(Cut Strip\)](#) [M1625-3R/100](#) [61062-3](#) [61082-181009](#) [CSU011177004](#) [636-1427](#) [638009-1](#) [641938-9](#) [641991-4](#) [644168-1](#) [644827-2](#) [647662-1](#) [65039-019ELF](#) [65692-001LF](#) [65781-018](#) [65781-047](#)