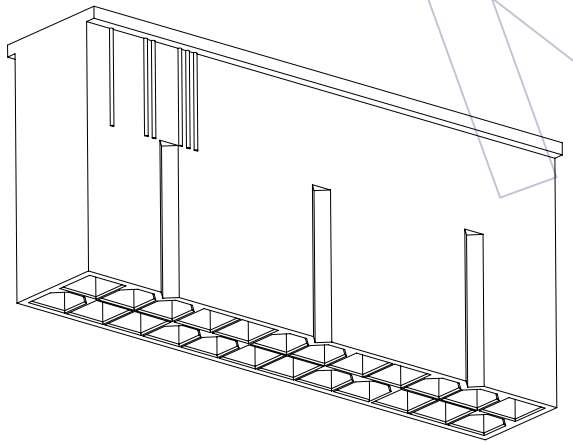
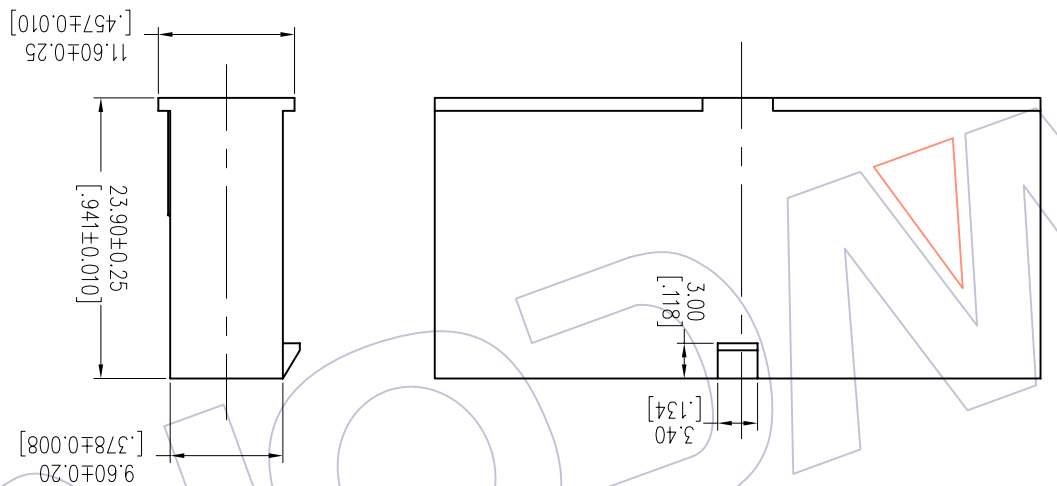
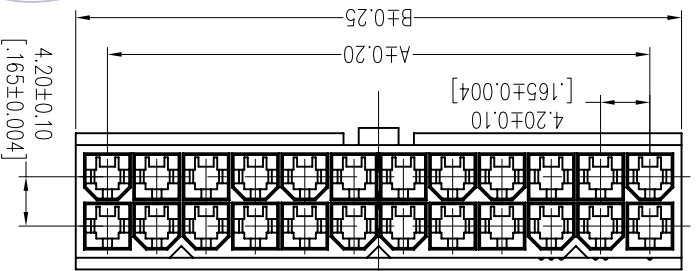


**NOTES:**

Rated Current: 9.0A  
 Contact Resistance: 20mΩ max  
 Withstand Voltage: 1500V AC/Minute  
 Insulation Resistance: 1000MΩ min  
 Operation Temperature: -25°C to +85°C  
 Insulator Material: PA66  
 Used with: WF4202-MT (Male Terminal)

**Ordering Information**

WF4202-2HKXXW02  
 No. of Pins per Color Packing  
 01-12 W=White 0=PE Bag



Dimension		Part No.	Circuit
A	B		
2x01	WF4202-2HK01W02	---	5.40
2x02	WF4202-2HK02W02	4.20	9.60
2x03	WF4202-2HK03W02	8.40	13.80
2x04	WF4202-2HK04W02	12.60	18.00
2x05	WF4202-2HK05W02	16.80	22.20
2x06	WF4202-2HK06W02	21.00	26.40
2x07	WF4202-2HK07W02	25.20	30.60
2x08	WF4202-2HK08W02	29.40	34.80
2x09	WF4202-2HK09W02	33.60	39.00
2x10	WF4202-2HK10W02	37.80	43.20
2x11	WF4202-2HK11W02	42.00	47.40
2x12	WF4202-2HK12W02	46.20	51.60

Dimensional & Ordering Information

REV	DATE	MODIFICATION DESCRIPTION	CHANGE	DIM TOL	APPROVE	DATE	PROJ.	CUSTOMER NO.	WCON-Donguan	WCON-Kunshan
A0	2012/09/17	NEW		Angle ± 3°	JYHuang	2012/09/17	4.20mm Mini Fit Housing	Customer NO.	WCON-Donguan	WCON-Kunshan
				X.XXX ±0.15	CHECK		4.20mm Mini Fit Housing		Tel: +86 769 85358920	Tel: +86 512 57468408
				X.XX ±0.25	DATE		4.20mm Mini Fit Housing		Fax: +86 769 85358915	Fax: +86 512 57468408
				X.X ±0.40	SCALE		4.20mm Mini Fit Housing		E-mail: sdies@wcon.com	E-mail: sdiesks@wcon.com
					UNIT		4.20mm Mini Fit Housing		http://www.wcon.com	
					SIZE		4.20mm Mini Fit Housing		<b>WCON</b>	
					SHEET		4.20mm Mini Fit Housing		SHEET 1/2	
					DATE		4.20mm Mini Fit Housing		TITLE: SBE TAB	

4 5 6 7 8 9 10

A

B

C

D

E

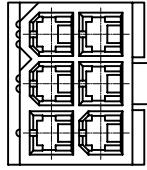
F

G

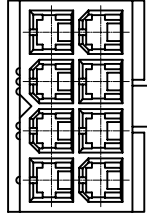
H

11.60±0.25  
[.457±0.010]

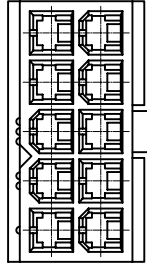
B±0.25



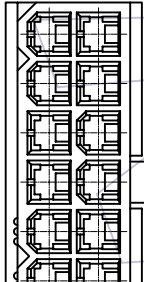
2x03P



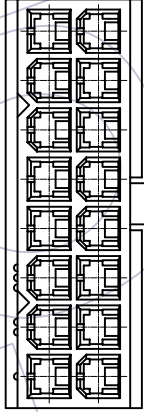
2x04P



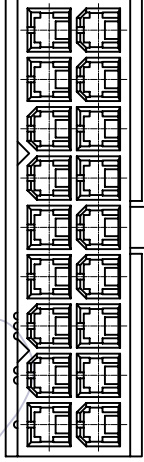
2x05P



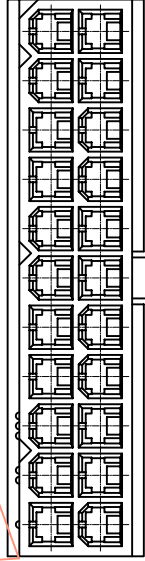
2x07P



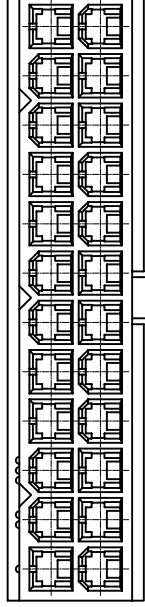
2x08P



2x09P



2x11P



2x12P

OPERATION	DRAW	DATE	SCALE	FIT	PART NO.	
					WF42.02-2HKXXW02	
x.x ±0.40	JYHuang	2012/09/17	UNIT	$\frac{\text{mm}}{\text{inch}}$	TITLE:	
x.xx ±0.25	CHECK	DATE	SIZE	A4	4.20mm Mini Fit Housing	
x.xxx ±0.15	APPROVE	DATE	SHEET	2/2	Dual Row Female	
Angle ± 3°			PROJ.		Customer NO.	
CHANGE DIM TOL						

**WCON**  
Http: www.wcon.com

WCON-Dongguan WCON-Kunshan  
Tel: +86 769 85358920 Tel: +86 512 57468408  
Fax: +86 769 85358915 Fax: +86 512 57468468  
E-mail: sales@wcon.com E-mail: salesks@wcon.com

## X-ON Electronics

Largest Supplier of Electrical and Electronic Components

*Click to view similar products for [Headers & Wire Housings](#) category:*

*Click to view products by [Wcon](#) manufacturer:*

Other Similar products are found below :

[95000-104TRLF](#) [10135584-644402LF](#) [DF62W-EP2022PCA](#) [95000-106TRLF](#) [DF62W-2022SCA](#) [DF62W-EP2022PC](#) [2203348](#) [DF62W-2022SC](#) [1084018](#) [1029039](#) [1084017](#) [802-10-012-10-002000](#) [1112640](#) [1112639](#) [891-007-9SS-BST1T](#) [000-34000](#) [0008550134](#) [0009482033](#) [0009507031](#) [57102-F02-18ULF](#) [57102-S06-03LF](#) [57202-S52-04LF](#) [PCN6-15S-2.5E](#) [0039019024](#) [58102-G61-06LF](#) [582553-1](#) [0009485154](#) [0009508121](#) [0022285053](#) [0050291907](#) [018731A](#) [LY20-4P-DT1-P1E-BR](#) [02.125.8002.8](#) [60101931](#) [60598-1 \(Cut Strip\)](#) [M1625-3R/100](#) [61062-3](#) [61082-181009](#) [CSU011177004](#) [636-1427](#) [638009-1](#) [641938-9](#) [641991-4](#) [644168-1](#) [644827-2](#) [647662-1](#) [65039-019ELF](#) [65692-001LF](#) [65781-018](#) [65781-047](#)