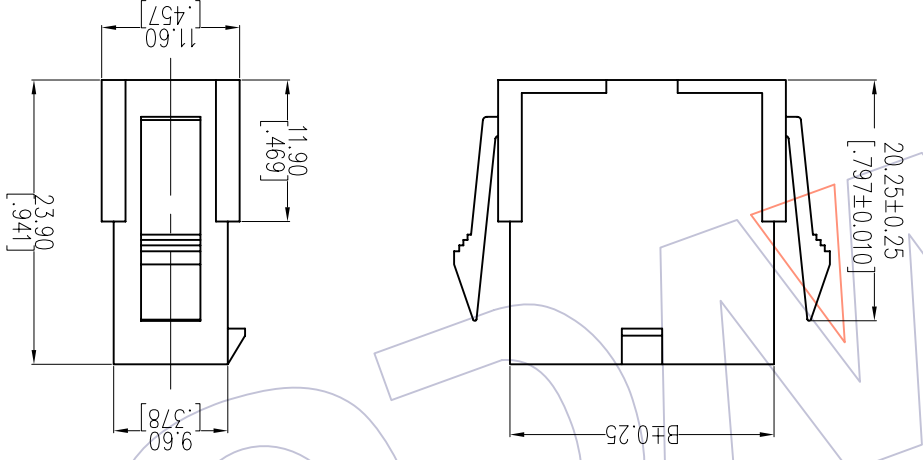
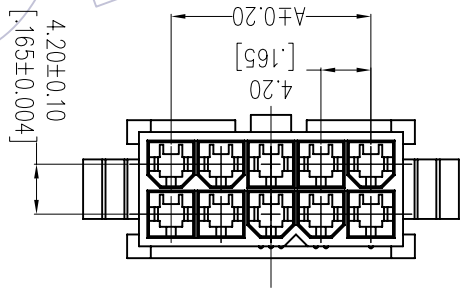


NOTES:  
 Rated Current: 9.0A  
 Contact Resistance: 20mΩ max  
 Withstand Voltage: 1500V AC/Minute  
 Insulation Resistance: 100MΩ min  
 Operation Temperature: -25°C to +85°C  
 Insulator Material: PA66  
 Used with: WF4202-MT(Male Terminal)

**Ordering Information**

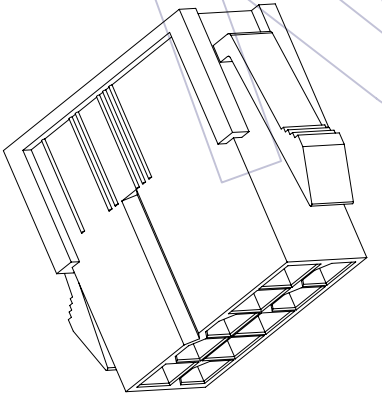
**WF4202-2HKXXW01**

- No. of Row
- Dual Row
- No. of pins
- 01P-12P
- Color
- Packing
- W=White
- B=Black
- 0=PE Bag



Dimensional & Ordering Information

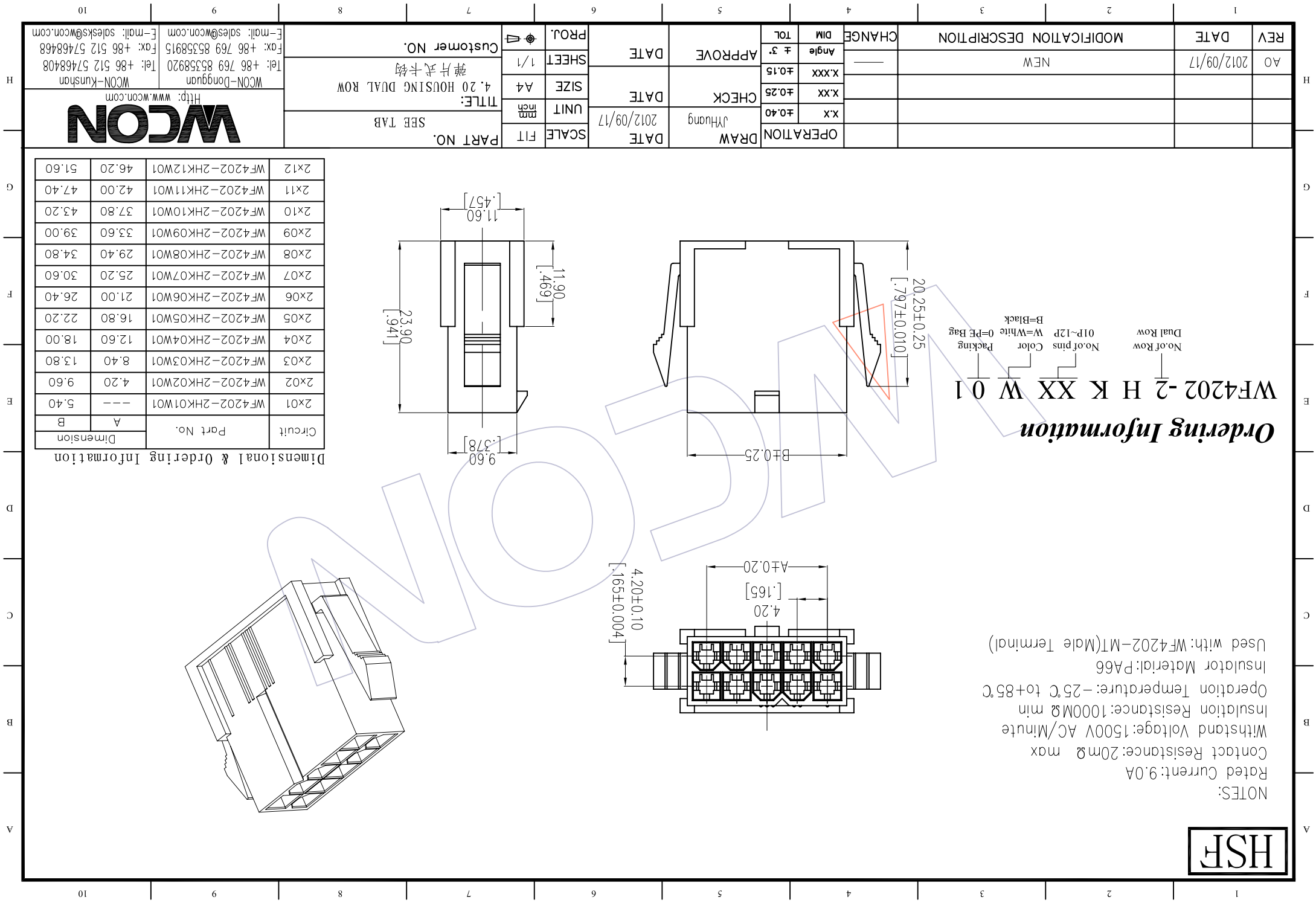
Circuit	Part No.	Dimension	
		A	B
2x01	WF4202-2HK01W01	---	5.40
2x02	WF4202-2HK02W01	4.20	9.60
2x03	WF4202-2HK03W01	8.40	13.80
2x04	WF4202-2HK04W01	12.60	18.00
2x05	WF4202-2HK05W01	16.80	22.20
2x06	WF4202-2HK06W01	21.00	26.40
2x07	WF4202-2HK07W01	25.20	30.60
2x08	WF4202-2HK08W01	29.40	34.80
2x09	WF4202-2HK09W01	33.60	39.00
2x10	WF4202-2HK10W01	37.80	43.20
2x11	WF4202-2HK11W01	42.00	47.40
2x12	WF4202-2HK12W01	46.20	51.60



REV	DATE	MODIFICATION DESCRIPTION	CHANGE	DIM TOL	APPROVE	DATE	PROJ.	Customer NO.	WCON-Dongguan WCON-Kunshan Tel: +86 769 85358920 Fax: +86 769 85358915 E-mail: sdies@wcon.com
A0	2012/09/17	NEW		Angle ± 3°					
				X.XXX ±0.15	APPROVE	DATE	SHEET 1/1		
				X.XX ±0.25	CHECK	DATE	SIZE A4	TITLE: 4.20 HOUSING DUAL ROW 弹片式卡钩	
				X.X ±0.40	DRAW JYHuang	2012/09/17	UNIT mm	PART NO. SBE TAB	
					OPERATION	SCALE	FIT		



Http: www.wcon.com



## X-ON Electronics

Largest Supplier of Electrical and Electronic Components

*Click to view similar products for [Headers & Wire Housings](#) category:*

*Click to view products by [Wcon](#) manufacturer:*

Other Similar products are found below :

[95000-104TRLF](#) [10135584-644402LF](#) [DF62W-EP2022PCA](#) [95000-106TRLF](#) [DF62W-2022SCA](#) [DF62W-EP2022PC](#) [2203348](#) [DF62W-2022SC](#) [1084018](#) [1029039](#) [1084017](#) [802-10-012-10-002000](#) [1112640](#) [1112639](#) [891-007-9SS-BST1T](#) [000-34000](#) [0008550134](#) [0009482033](#) [0009507031](#) [57102-F02-18ULF](#) [57102-S06-03LF](#) [57202-S52-04LF](#) [PCN6-15S-2.5E](#) [0039019024](#) [58102-G61-06LF](#) [582553-1](#) [0009485154](#) [0009508121](#) [0022285053](#) [0050291907](#) [018731A](#) [LY20-4P-DT1-P1E-BR](#) [02.125.8002.8](#) [60101931](#) [60598-1 \(Cut Strip\)](#) [M1625-3R/100](#) [61062-3](#) [61082-181009](#) [CSU011177004](#) [636-1427](#) [638009-1](#) [641938-9](#) [641991-4](#) [644168-1](#) [644827-2](#) [647662-1](#) [65039-019ELF](#) [65692-001LF](#) [65781-018](#) [65781-047](#)