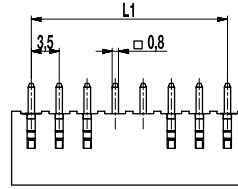
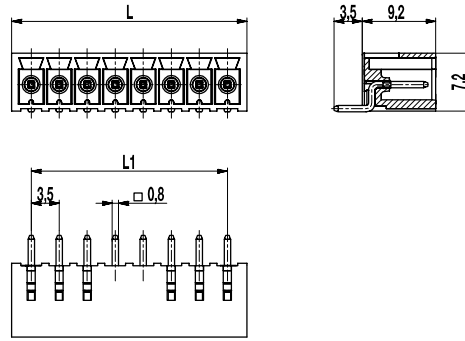
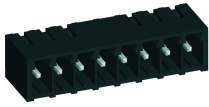
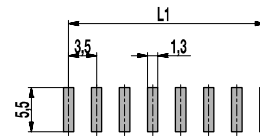


# 110-M-211-SMD

Pin strip for SMD  
Plug-in direction parallel to PCB



## PCB LAYOUT



L1 = (No. of poles - 1) x pitch  
Solder paste thickness: 0,2 mm

## GENERAL INFORMATION

Pitch	3,5 mm
No. of poles	2 - 12
Usable with	all plug connectors of series 110
Additional Information	Version with solder flanges see also 110-M-216-SMD

## TECHNICAL DATA

Overvoltage Category	III	III	II
Pollution Severity Level	3	2	2
Rated Voltage	160 V	160 V	320 V
Rated Impulse Voltage	2,5 kV	2,5 kV	2,5 kV
Rated Insulation Voltage	130 V acc. to EN 60998-1		
Rated Current	8 A		
Soldering process	Reflow solder		

## APPROVALS

	Current [A]	Voltage [V]	Group	AWG	[Nm]
	8	300	B, D		
	8	300	B		

## MATERIAL

Moulding	PA HT, black, V-0
Comparative Tracking Index	CTI ≥ 600
Insulating Group	I
Temperature Range	-40°C up to 120°C; reflow solder temperature peak max. 255°C acc. to DIN EN 61760-1
Solder pin	0,8 x 0,8 mm; tin plated brass

## OPTIONS / ACCESSORIES

- Consecutive numbering
- Special marking according to drawing
- Self-adhesive marking strip BST-3,50 [1]
- Coding elements 120-K-HT-WS

[1] To be fitted after reflow soldering process

## CONFIGURATIONS

Poles	Part number	Article number	Length (L)	Packaging	PU	Tape Width	Tape Height
2	110-M-211-SMD/02	10.843.102	8,40 mm	Box	1116		
3	110-M-211-SMD/03	10.843.103	11,90 mm	Box	792		
4	110-M-211-SMD/04	10.843.104	15,40 mm	Box	612		
5	110-M-211-SMD/05	10.843.105	18,90 mm	Box	486		
6	110-M-211-SMD/06	10.843.106	22,40 mm	Box	414		
4	110-M-211-SMD/04-T&R	10.843.104.A00	15,40 mm	Tape-on-Reel	475	56 mm	8 mm
5	110-M-211-SMD/05-T&R	10.843.105.A00	18,90 mm	Tape-on-Reel	475	56 mm	8 mm
6	110-M-211-SMD/06-T&R	10.843.106.A00	22,40 mm	Tape-on-Reel	475	56 mm	8 mm

further number of poles on request



## X-ON Electronics

Largest Supplier of Electrical and Electronic Components

*Click to view similar products for [Pluggable Terminal Blocks](#) category:*

*Click to view products by [Weco](#) manufacturer:*

Other Similar products are found below :

[57.510.0053](#) [721-104/026-047](#) [721-204/026-045](#) [MC 1.5/ 6-ST-3.5 GY AU](#) [ET02015000J0G](#) [860505](#) [860516](#) [860810](#) [GBPACX-12](#)  
[93.731.4953.0](#) [PVP03-3,50](#) [PVS02-5,00](#) [1-1986160-3](#) [1377680000](#) [1531000000](#) [1546228-5](#) [ELFP03110](#) [ELFP10210](#) [ELFT07250](#)  
[ELVD12100](#) [ELVF09400](#) [ELXH071G0E](#) [1725220000](#) [1760336](#) [1855000000](#) [19346](#) [1946309](#) [1973592](#) [19892](#) [25.320.4053.1](#) [25.320.4553.9](#)  
[25.320.4753.1](#) [25.320.5453.1](#) [25.340.0353.1](#) [25.340.1053.1](#) [25.345.3553.0M001](#) [25.640.3553.1](#) [SH02-5,08](#) [SH06-3,81](#) [SH08-5,08](#) [SH08-](#)  
[5,08-K](#) [SH12-5,08](#) [SHS04-5,00](#) [30.303](#) [30.305](#) [30.306](#) [PHP09-5,08](#) [25.193.0453.0](#) [25.320.4653.1](#) [25.332.2453.1](#)