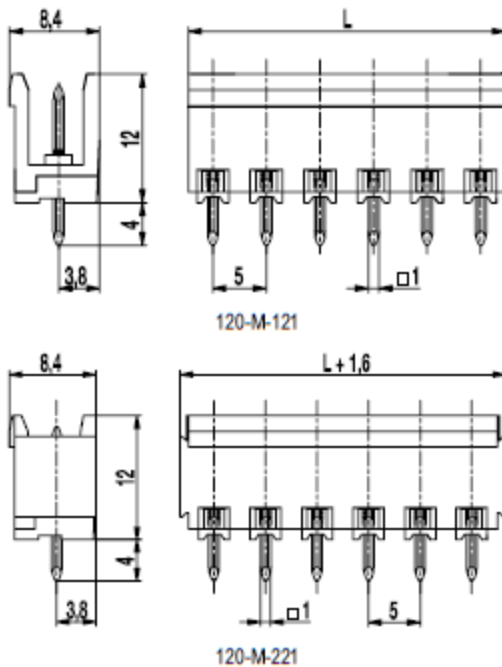
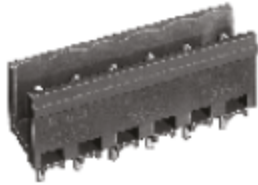


Pin strip 120-M-121/-221

Plug-In direction vertical to PCB



The pin strips 120-M-121 and 120-M-221 with a pitch of 5 mm are available in 2- to 24-pole design.

The ..-M-121 version is a pin strip without side walls. It can be mounted side-by-side without pole loss. The ..-M-221 version is a pin strip with side wall. For both versions, the plug direction for mating pin strips is vertical to the PCB.

For each pole, the pin strip has one trapezoidal coding slot in which the coding elements 120-K can be inserted.

Part Numbers

No. of poles	120-M-121	120-M-221	Length	Pcs
2	20.806.002	20.806.026	10,00	200
3	20.806.003	20.806.027	15,00	200
4	20.806.004	20.806.028	20,00	100
5	20.806.005	20.806.029	25,00	100
6	20.806.006	20.806.030	30,00	100
7	20.806.007	20.806.031	35,00	50
8	20.806.008	20.806.032	40,00	50
9	20.806.009	20.806.033	45,00	50
10	20.806.010	20.806.034	50,00	50
11	20.806.011	20.806.035	55,00	50
12	20.806.012	20.806.036	60,00	50
24	20.806.024	20.806.048	120,00	50

further number of poles on request

General Information

Pitch	5 mm
No. of poles	2 - 24
Usable with	all plug connectors of series 120
Additional Information	Ordering information: ..-121: without side wall, not pottable ..-221: with side wall, pottable

Technical Data

Overvoltage Category	III	III	II
Pollution Severity Level	3	2	2
Rated Voltage	250 V	320 V	630 V
Rated Impulse Voltage	4 kV	4 kV	4 kV
Rated Insulation Voltage	250 V acc. to EN 60998-1		
Rated Current	12 A		
Hole in PCB	ø 1,4 mm		

Material

Moulding	PA, grey, V-0
Comparative Tracking Index	CTI ≥ 600
Insulating Group	I
Temperature Range	-40°C up to 100°C
Solder pin	1,0 x 1,0 mm; tin plated brass

Approvals

	Current	Voltage	Group	AWG	Nm
UL®	15	300	B		
	10	300	D		
SP®	15	300	B		
	10	300	D, E		
VDE					

Options / Accessories

- Consecutive numbering
- Special marking according to drawing
- Self-adhesive marking strip BST-5,00
- Pitch of 10 mm for larger clearance and creepage distances
- Other P.C. pin lengths on request
- Coding elements 120-K
- Connectors equipped with coding elements on request
- Pin strips with fastening flanges, see 120-M-227
- Pin strips with connecting flanges, see 120-M-225

X-ON Electronics

Largest Supplier of Electrical and Electronic Components

Click to view similar products for [Pluggable Terminal Blocks](#) category:

Click to view products by [Weco](#) manufacturer:

Other Similar products are found below :

[57.510.0053](#) [721-104/026-047](#) [721-204/026-045](#) [MC 1.5/ 6-ST-3.5 GY AU](#) [ET02015000J0G](#) [860505](#) [860516](#) [860810](#) [GBPACX-12](#)
[93.731.4953.0](#) [PVP03-3,50](#) [PVS02-5,00](#) [1-1986160-3](#) [1377680000](#) [1531000000](#) [1546228-5](#) [ELFP03110](#) [ELFP10210](#) [ELFT07250](#)
[ELVD12100](#) [ELVF09400](#) [ELXH071G0E](#) [1725220000](#) [1760336](#) [1855000000](#) [19346](#) [1946309](#) [1973592](#) [19892](#) [25.320.4053.1](#) [25.320.4553.9](#)
[25.320.4753.1](#) [25.320.5453.1](#) [25.340.0353.1](#) [25.340.1053.1](#) [25.345.3553.0M001](#) [25.640.3553.1](#) [SH02-5,08](#) [SH06-3,81](#) [SH08-5,08](#) [SH08-](#)
[5,08-K](#) [SH12-5,08](#) [SHS04-5,00](#) [30.303](#) [30.305](#) [30.306](#) [PHP09-5,08](#) [25.193.0453.0](#) [25.320.4653.1](#) [25.332.2453.1](#)