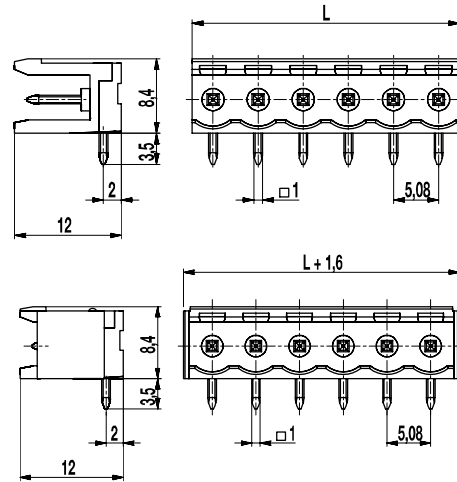


121-M-111/-211

Pin strip
Plug-in direction parallel to PCB



121-M-111

121-M-211

GENERAL INFORMATION

| | |
|------------------------|--|
| Pitch | 5,08 mm |
| No. of poles | 2 - 12 |
| Usable with | all plug connectors of series 121 |
| Additional Information | Ordering information: ...-M-111: without side walls ...-M-211: with side walls |

TECHNICAL DATA

| | | | |
|--------------------------|--------------------------|-------|-------|
| Overvoltage Category | III | III | II |
| Pollution Severity Level | 3 | 2 | 2 |
| Rated Voltage | 250 V | 320 V | 630 V |
| Rated Impulse Voltage | 4 kV | 4 kV | 4 kV |
| Rated Insulation Voltage | 250 V acc. to EN 60998-1 | | |
| Rated Current | 12 A | | |
| Hole in PCB | ø 1,4 mm | | |

MATERIAL

| | |
|----------------------------|--------------------------------|
| Moulding | PA, grey, V-0 |
| Comparative Tracking Index | CTI ≥ 600 |
| Insulating Group | I |
| Temperature Range | -40°C up to 100°C |
| Solder pin | 1,0 x 1,0 mm; tin plated brass |

APPROVALS

| | Current [A] | Voltage [V] | Group | AWG | [Nm] |
|--|-------------|-------------|-------|-----|------|
| | 15 | 300 | B | | |
| | 10 | 300 | D | | |
| | 15 | 300 | B | | |
| | 10 | 300 | D, E | | |
| | | | | | |

OPTIONS / ACCESSORIES

- Consecutive numbering
- Special marking according to drawing
- Self-adhesive marking strip BST-5,08
- Pitch of 10,16 mm for larger clearance and creepage distances
- Other solder pin lengths on request
- Coding elements 120-K
- Connectors equipped with coding elements on request

CONFIGURATIONS

| Poles | Part number | Article number | Part number | Article number | Length (L) | Packaging | PU |
|-------|--------------|----------------|--------------|----------------|------------|-----------|-----|
| 2 | 121-M-111/02 | 10.806.102 | 121-M-211/02 | 10.806.126 | 10,16 mm | Box | 200 |
| 3 | 121-M-111/03 | 10.806.103 | 121-M-211/03 | 10.806.127 | 15,24 mm | Box | 200 |
| 4 | 121-M-111/04 | 10.806.104 | 121-M-211/04 | 10.806.128 | 20,32 mm | Box | 100 |
| 5 | 121-M-111/05 | 10.806.105 | 121-M-211/05 | 10.806.129 | 25,40 mm | Box | 100 |
| 6 | 121-M-111/06 | 10.806.106 | 121-M-211/06 | 10.806.130 | 30,48 mm | Box | 100 |

further number of poles on request



X-ON Electronics

Largest Supplier of Electrical and Electronic Components

Click to view similar products for [Pluggable Terminal Blocks](#) category:

Click to view products by [Weco](#) manufacturer:

Other Similar products are found below :

[57.510.0053](#) [721-104/026-047](#) [721-204/026-045](#) [MC 1.5/ 6-ST-3.5 GY AU](#) [ET02015000J0G](#) [860505](#) [860516](#) [860810](#) [GBPACX-12](#)
[93.731.4953.0](#) [PVP03-3,50](#) [PVS02-5,00](#) [1-1986160-3](#) [1377680000](#) [1531000000](#) [1546228-5](#) [ELFP03110](#) [ELFP10210](#) [ELFT07250](#)
[ELVD12100](#) [ELVF09400](#) [ELXH071G0E](#) [1725220000](#) [1760336](#) [1855000000](#) [19346](#) [1946309](#) [1973592](#) [19892](#) [25.320.4053.1](#) [25.320.4553.9](#)
[25.320.4753.1](#) [25.320.5453.1](#) [25.340.0353.1](#) [25.340.1053.1](#) [25.345.3553.0M001](#) [25.640.3553.1](#) [SH02-5,08](#) [SH06-3,81](#) [SH08-5,08](#) [SH08-](#)
[5,08-K](#) [SH12-5,08](#) [SHS04-5,00](#) [30.303](#) [30.305](#) [30.306](#) [PHP09-5,08](#) [25.193.0453.0](#) [25.320.4653.1](#) [25.332.2453.1](#)