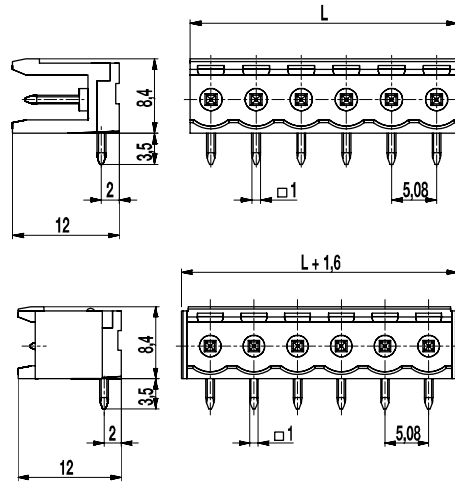


# 121-M-111/-211

Pin strip  
Plug-in direction parallel to PCB



121-M-111

121-M-211

## GENERAL INFORMATION

|                        |  |
|------------------------|--|
| Pitch                  | 5,08 mm  |
| No. of poles           | 2 - 12   |
| Usable with            | all plug connectors of series 121  |
| Additional Information | Ordering information:<br>...M-111: without side walls<br>...M-211: with side walls |

## TECHNICAL DATA

|                          |                          |       |       |
|--------------------------|--------------------------|-------|-------|
| Overvoltage Category     | III                      | III   | II    |
| Pollution Severity Level | 3                        | 2     | 2     |
| Rated Voltage            | 250 V                    | 320 V | 630 V |
| Rated Impulse Voltage    | 4 kV                     | 4 kV  | 4 kV  |
| Rated Insulation Voltage | 250 V acc. to EN 60998-1 |       |       |
| Rated Current            | 12 A                     |       |       |
| Hole in PCB              | ø 1,4 mm                 |       |       |

## MATERIAL

|                            |                                |
|----------------------------|--------------------------------|
| Moulding                   | PA, grey, V-0                  |
| Comparative Tracking Index | CTI ≥ 600                      |
| Insulating Group           | I                              |
| Temperature Range          | -40°C up to 100°C              |
| Solder pin                 | 1,0 x 1,0 mm; tin plated brass |

## APPROVALS

|  | Current [A] | Voltage [V] | Group | AWG | [Nm] |
|--|-------------|-------------|-------|-----|------|
|  | 15          | 300         | B     |     |      |
|  | 10          | 300         | D     |     |      |
|  | 15          | 300         | B     |     |      |
|  | 10          | 300         | D, E  |     |      |
|  |             |             |       |     |      |

## OPTIONS / ACCESSORIES

- Consecutive numbering
- Special marking according to drawing
- Self-adhesive marking strip BST-5,08
- Pitch of 10,16 mm for larger clearance and creepage distances
- Other solder pin lengths on request
- Coding elements 120-K
- Connectors equipped with coding elements on request

## CONFIGURATIONS

| Poles | Part number  | Article number | Part number  | Article number | Length (L) | Packaging | PU  |
|-------|--------------|----------------|--------------|----------------|------------|-----------|-----|
| 2     | 121-M-111/02 | 10.806.102     | 121-M-211/02 | 10.806.126     | 10,16 mm   | Box       | 200 |
| 3     | 121-M-111/03 | 10.806.103     | 121-M-211/03 | 10.806.127     | 15,24 mm   | Box       | 200 |
| 4     | 121-M-111/04 | 10.806.104     | 121-M-211/04 | 10.806.128     | 20,32 mm   | Box       | 100 |
| 5     | 121-M-111/05 | 10.806.105     | 121-M-211/05 | 10.806.129     | 25,40 mm   | Box       | 100 |
| 6     | 121-M-111/06 | 10.806.106     | 121-M-211/06 | 10.806.130     | 30,48 mm   | Box       | 100 |

further number of poles on request



## **X-ON Electronics**

Largest Supplier of Electrical and Electronic Components

*Click to view similar products for [Weco manufacturer](#):*

Other Similar products are found below :

[110-A-111/02](#) [110-A-111/03](#) [110-A-111/04](#) [110-A-111/05](#) [110-A-111/06](#) [110-A-111/08-BA](#) [110-M-111/02](#) [110-M-111/05](#) [110-M-111/06](#)  
[110-M-121/02](#) [110-M-121/06](#) [110-M-211/02](#) [110-M-211/03](#) [110-M-211/04](#) [110-M-211/05](#) [110-M-211/06](#) [110-M-211-SMD/02-MAG](#) [110-M-211-SMD/03-MAG](#) [110-M-211-SMD/04-MAG](#) [110-M-221/02](#) [110-M-221/03](#) [110-M-221/04](#) [110-M-221/05](#) [110-M-221/06](#) [110-P-111/16](#)  
[120-A-111/02-K](#) [120-A-111/03](#) [120-A-111/04](#) [120-A-111/05](#) [120-A-111/06](#) [120-A-111/10-333](#) [120-D-111/08](#) [120-D-121/06](#) [120-M-211/02](#)  
[120-M-211/02-K](#) [120-M-211/03](#) [120-M-221/02](#) [120-M-221/03](#) [120-M-221/04](#) [120-M-221/06](#) [120-M-222/06](#) [120-M-222/08](#) [120-M-222/10](#)  
[121-A-111/02](#) [121-A-111/03](#) [121-A-111/04](#) [121-A-111/05](#) [121-A-111/06](#) [121-D-121/05](#) [121-M-111 /02](#)