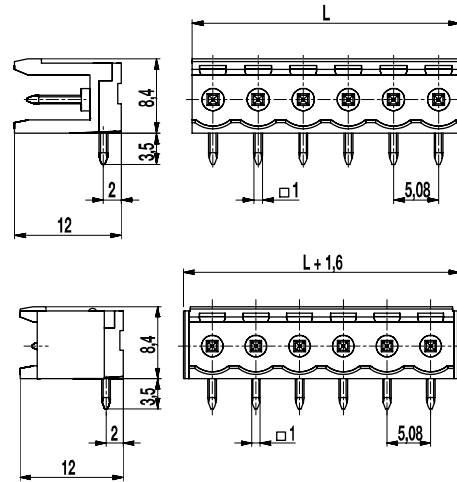


121-M-111/-211

Pin strip
Plug-in direction parallel to PCB



GENERAL INFORMATION

Pitch	5,08 mm
No. of poles	2 - 12
Usable with	all plug connectors of series 121
Additional Information	Ordering information: ...M-111: without side walls ...M-211: with side walls

TECHNICAL DATA

Overvoltage Category	III	III	II
Pollution Severity Level	3	2	2
Rated Voltage	250 V	320 V	630 V
Rated Impulse Voltage	4 kV	4 kV	4 kV
Rated Insulation Voltage	250 V acc. to EN 60998-1		
Rated Current	12 A		
Hole in PCB	ø 1,4 mm		

APPROVALS

	Current [A]	Voltage [V]	Group	AWG	[Nm]
	15	300	B		
	10	300	D		
	15	300	B		
	10	300	D, E		

MATERIAL

Moulding	PA, grey, V-0
Comparative Tracking Index	CTI ≥ 600
Insulating Group	I
Temperature Range	-40°C up to 100°C
Solder pin	1,0 x 1,0 mm; tin plated brass

OPTIONS / ACCESSORIES

- Consecutive numbering
- Special marking according to drawing
- Self-adhesive marking strip BST-5,08
- Pitch of 10,16 mm for larger clearance and creepage distances
- Other solder pin lengths on request
- Coding elements 120-K
- Connectors equipped with coding elements on request

CONFIGURATIONS

Poles	Part number	Article number	Part number	Article number	Length (L)	Packaging	PU
2	121-M-111/02	10.806.102	121-M-211/02	10.806.126	10,16 mm	Box	200
3	121-M-111/03	10.806.103	121-M-211/03	10.806.127	15,24 mm	Box	200
4	121-M-111/04	10.806.104	121-M-211/04	10.806.128	20,32 mm	Box	100
5	121-M-111/05	10.806.105	121-M-211/05	10.806.129	25,40 mm	Box	100
6	121-M-111/06	10.806.106	121-M-211/06	10.806.130	30,48 mm	Box	100

further number of poles on request



X-ON Electronics

Largest Supplier of Electrical and Electronic Components

Click to view similar products for [Weco manufacturer](#):

Other Similar products are found below :

[327-FU-HDS/10](#) [323-FU-16.5-HDS/12](#) [327-FU-HDS/05](#) [3070-PCM/03-033](#) [210-A-SMD/02](#) [4005-A](#) [307-PCM/06-033](#) [307-PCF/02](#) [110-M-211-SMD/03-MAG](#) [140-A-111/03](#) [121-M-211/04](#) [110-M-211-SMD/04-MAG](#) [140-A-126-SMD/02](#) [327-HDS/12](#) [971-SLR-THR-1.3/06](#) [110-M-211-SMD/02-MAG](#) [980-W/07](#) [980-S/07](#) [3-DIN-46284-ST-OHNE-VDE](#) [120-D-111/08](#) [950-D-SMD-DS/06](#) [876-DR/08](#) [110-M-111/05](#) [120-M-221/06](#) [874-DR/02](#) [150-C-111/03](#) [324-FU-HDS/06](#) [17-MUB](#) [830-A-111-SMD/02-MAG](#) [977-OPSG-DS/05](#) [950-FL-DS/06](#) [140-A-SMD/03](#) [308-PA/03-402](#) [140-A-126-SMD/04-MAG](#) [302-NSTB-DS/02](#) [3070-PCM/06-033](#) [158-A-111/03](#) [302-N-HDS/12](#) [210-A-126-SMD/04-MAG](#) [932-DS/05](#) [982-D/09](#) [324-FU-HDS/12](#) [326-HDS/12](#) [327-HDS/05](#) [327-FU-HDS/12](#) [122-D-121/08-BNA](#) [122-D-121/06-BNA](#) [974-T-DS/02](#) [339-KF](#) [4010-B](#)