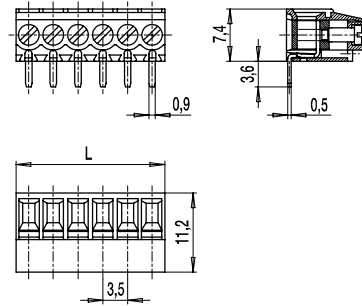


210-A-121

PCB connector
Screw connection, wire entrance vertical to PCB



GENERAL INFORMATION

| | |
|----------------------|--|
| Pitch | 3,5 mm |
| No. of poles | 2 - 24 |
| Areas of application | For all applications requiring low profile but large terminal space of 1,7 x 2,6 mm. |

TECHNICAL DATA

| | | | |
|--------------------------|--|--------|--------|
| Clamping Range | <i>solid / stranded / AWG</i> 0,14 - 1,5 mm ² / 0,14 - 1,5 mm ² / 30 - 16 AWG | | |
| Rated Cross Section | 1 mm ² | | |
| Wire Stripping Length | 5,5 mm ± 0,5 mm | | |
| Overvoltage Category | III | III | II |
| Pollution Severity Level | 3 | 2 | 2 |
| Rated Voltage | 160 V | 160 V | 320 V |
| Rated Impulse Voltage | 2,5 kV | 2,5 kV | 2,5 kV |
| Rated Insulation Voltage | 130 V acc. to EN 60998-1 | | |
| Rated Current | 12,5 A | | |
| Hole in PCB | ø 1,2 mm | | |
| Torque | 0,2 Nm | | |

APPROVALS

| | Current [A] | Voltage [V] | Group | AWG | [Nm] |
|--|-------------|-------------|-------|---------|------|
| | 10 | 300 | B | 30 - 16 | 0,23 |
| | 10 | 300 | B | 30 - 16 | 0,22 |
| | | | | | |

MATERIAL

| | |
|----------------------------|------------------------------|
| Moulding | PA, grey, V-0 |
| Comparative Tracking Index | CTI 400 |
| Insulating Group | II |
| Temperature Range | -40°C up to 100°C |
| Terminal body | Nickel plated brass |
| Pressure clamp | Copper alloy, tin plated |
| Screw | M2; copper alloy, tin plated |
| Solder pin | Copper alloy, tin plated |

OPTIONS / ACCESSORIES

- Consecutive numbering
- Special marking according to drawing
- Self-adhesive marking strip BST-3,50

CONFIGURATIONS

| Poles | Part number | Article number | Length (L) | Packaging | PU |
|-------|--------------|----------------|------------|-----------|-----|
| 2 | 210-A-121/02 | 20.804.002 | 7,00 mm | Box | 250 |
| 3 | 210-A-121/03 | 20.804.003 | 10,50 mm | Box | 250 |
| 4 | 210-A-121/04 | 20.804.004 | 14,00 mm | Box | 250 |
| 5 | 210-A-121/05 | 20.804.005 | 17,50 mm | Box | 200 |
| 6 | 210-A-121/06 | 20.804.006 | 21,00 mm | Box | 200 |

further number of poles on request



X-ON Electronics

Largest Supplier of Electrical and Electronic Components

Click to view similar products for [Fixed Terminal Blocks](#) category:

Click to view products by [Weco](#) manufacturer:

Other Similar products are found below :

[MBE-1512](#) [MBE-1520](#) [MBE-154](#) [MBE-156](#) [MBES-156](#) [MH-2512](#) [MHE-132](#) [MHE-163](#) [MI-254 \(35\)](#) [MPT-275](#) [ELM10110G](#) [BA311TU](#)
[BA411SU](#) [MV-254-D](#) [MV-255](#) [MV-493](#) [MVE-252](#) [MVE-253](#) [MVEB-153](#) [1705142](#) [1-796689-8](#) [1841320000](#) [S451](#) [29.007](#) [29.116](#) [30.204](#)
[30.503](#) [30.756](#) [30.853](#) [9872-0-00-15-00-00-33-0](#) [996750](#) [1710052](#) [20020316-G071B01LF](#) [20020327-C061B01LF](#) [29590](#) [30.652](#) [30.710](#)
[30.754](#) [30.757](#) [32.058](#) [37.206](#) [37.208](#) [37.507](#) [37.558](#) [38331-5812](#) [38331-8018](#) [38540-1910](#) [39.002](#) [MBE-1517](#) [MBE-153](#)