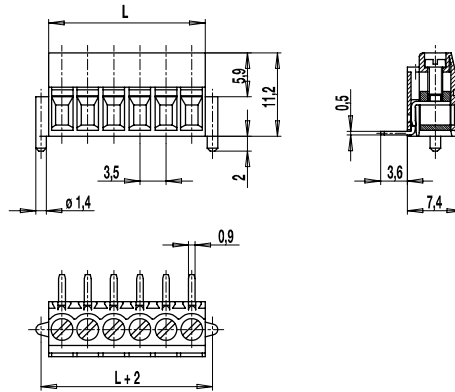


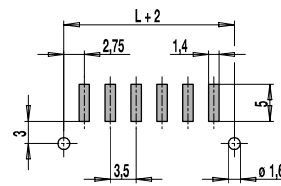
# 210-A-SMD

PCB connector for SMD  
Screw connection, with anti-twist peg



L = No. of poles x pitch

### PCB LAYOUT



Solder paste thickness:  
0,2 mm

### GENERAL INFORMATION

Pitch	3,5 mm
No. of poles	2 - 12

### TECHNICAL DATA

Clamping Range	solid / stranded / AWG		
	0,14 - 1,5 mm <sup>2</sup> / 0,14 - 1,5 mm <sup>2</sup> / 30 - 16 AWG		
Rated Cross Section	1 mm <sup>2</sup>		
Wire Stripping Length	5,5 mm ± 0,5 mm		
Overvoltage Category	III	III	II
Pollution Severity Level	3	2	2
Rated Voltage	160 V	160 V	320 V
Rated Impulse Voltage	2,5 kV	2,5 kV	2,5 kV
Rated Insulation Voltage	130 V acc. to EN 60998-1		
Rated Current	12,5 A		
Soldering process	Reflow solder		
Torque	0,2 Nm		

### APPROVALS

	Current [A]	Voltage [V]	Group	AWG	[Nm]
	10	300	B	30 - 16	0,23
	10	300	B	30 - 16	0,22

### MATERIAL

Moulding	PA HT, black, V-0
Comparative Tracking Index	CTI ≥ 600
Insulating Group	I
Temperature Range	-40°C up to 120°C; reflow solder temperature peak max. 255°C acc. to DIN EN 61760-1
Terminal body	Nickel plated brass
Pressure clamp	Copper alloy, tin plated
Screw	M2; Copper alloy, tin plated
Solder pin	Copper alloy, tin plated

### OPTIONS / ACCESSORIES

- Consecutive numbering
- Special marking according to drawing
- Self-adhesive marking strip BST-3,50 [1]

[1] To be fitted after reflow soldering process

### CONFIGURATIONS

Poles	Part number	Article number	Length (L)	Packaging	PU	Tape Width	Tape Height
2	210-A-SMD/02	10.804.202	7,00 mm	Box	900		
3	210-A-SMD/03	10.804.203	10,50 mm	Box	684		
4	210-A-SMD/04	10.804.204	14,00 mm	Box	540		
5	210-A-SMD/05	10.804.205	17,50 mm	Box	450		
6	210-A-SMD/06	10.804.206	21,00 mm	Box	378		
2	210-A-SMD/02-T&R	10.804.202.A00	7,00 mm	Tape-on-Reel	325	44 mm	14,6 mm
3	210-A-SMD/03-T&R	10.804.203.A00	10,50 mm	Tape-on-Reel	325	44 mm	14,6 mm
4	210-A-SMD/04-T&R	10.804.204.A00	14,00 mm	Tape-on-Reel	325	44 mm	14,6 mm
5	210-A-SMD/05-T&R	10.804.205.A00	17,50 mm	Tape-on-Reel	325	44 mm	14,6 mm
6	210-A-SMD/06-T&R	10.804.206.A00	21,00 mm	Tape-on-Reel	325	44 mm	14,6 mm

further number of poles on request



## X-ON Electronics

Largest Supplier of Electrical and Electronic Components

*Click to view similar products for [Fixed Terminal Blocks](#) category:*

*Click to view products by [Weco](#) manufacturer:*

Other Similar products are found below :

[MBE-1512](#) [MBE-1520](#) [MBE-154](#) [MBE-156](#) [MBES-156](#) [MH-2512](#) [MHE-132](#) [MHE-163](#) [MI-254 \(35\)](#) [MPT-275](#) [ELM10110G](#) [BA311TU](#)  
[BA411SU](#) [MV-254-D](#) [MV-255](#) [MV-493](#) [MVE-252](#) [MVE-253](#) [MVEB-153](#) [1705142](#) [1-796689-8](#) [1841320000](#) [S451](#) [29.007](#) [29.116](#) [30.204](#)  
[30.503](#) [30.756](#) [30.853](#) [9872-0-00-15-00-00-33-0](#) [996750](#) [1710052](#) [20020316-G071B01LF](#) [20020327-C061B01LF](#) [29590](#) [30.652](#) [30.710](#)  
[30.754](#) [30.757](#) [32.058](#) [37.206](#) [37.208](#) [37.507](#) [37.558](#) [38331-5812](#) [38331-8018](#) [38540-1910](#) [39.002](#) [MBE-1517](#) [MBE-153](#)