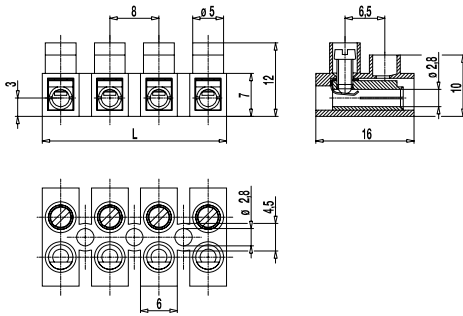
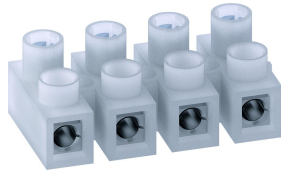


## 302-NSTB(-DS)

Plug-in terminal strip  
Screw connection & socket, low profile version



The plug-in terminal strip 302-NSTB, lower version, is available in 8 mm pitch with 2 to 12 poles.

It has one screw connection per pole and one plug connection for a terminal strip with pins.

The slotted pins and slotted sockets of 302-NSTB plug-in terminal strip create appropriate contact pressure. Due to the small 8 mm pitch, this version is well suited for applications where space is limited.

The "N"-variant only differs from the standard 302-STB version by the 12 mm overall height (i.e. the moulding height is 3 mm lower). Note the shortened clearance and creepage distances.

The wire protector of the "DS"-version reliably prevents damage to multi-wire flexible conductors by the turning screw.

These terminal strips can be screw-mounted on a substrate.

### Part Numbers

No. of poles	302-NSTB	302-NSTB-DS	Length	PU
2	32.820.046	52.820.046	15,00	250
3	33.820.046	53.820.046	23,00	250
4	34.820.046	54.820.046	31,00	200
5	35.820.046	55.820.046	39,00	100
6	36.820.046	56.820.046	47,00	80
7	37.820.046	57.820.046	55,00	80
8	38.820.046	58.820.046	63,00	80
9	39.820.046	59.820.046	71,00	60
10	40.820.046	60.820.046	79,00	50
11	41.820.046	61.820.046	87,00	50
12	42.820.046	62.820.046	94,00	40

### General Information

Pitch	8 mm
No. of poles	2 - 12
Usable with	302-NSTB(-DS)
Areas of application	Applications that require to easily open and close not energised circuits.



### Technical Data

Clamping Range	<i>solid / flexible / AWG</i>		
<i>without wire protector</i>	0,5 - 4 mm <sup>2</sup> / 0,5 - 2,5 mm <sup>2</sup> / 20 - 12 AWG		
<i>with wire protector</i>	0,34 - 2,5 mm <sup>2</sup> / 0,34 - 1,5 mm <sup>2</sup> / 22 - 14 AWG		
Rated Cross Section	1,5 mm <sup>2</sup>		
Wire Stripping Length	6 mm ± 0,5 mm		
Overvoltage Category	III	III	II
Pollution Severity Level	3	2	2
Rated Voltage	160 V	160 V	320 V
Rated Impulse Voltage	2,5 kV	2,5 kV	2,5 kV
Rated Insulation Voltage	130 V acc. to EN 60998-1		
Rated Current	6 A		
Torque	0,4 Nm		
Other specifications	Rated values apply to use in combination with 302-NSTB(-DS).		

### Material

Moulding	PA, natural, V-2
Comparative Tracking Index	CTI ≥ 600
Insulating Group	I
Temperature Range	-40°C up to 100°C
Terminal Body	Nickel plated brass
Screw	M2,6; zinc plated steel, blue passivated
Wire protector	Tin plated tin bronze

### Approvals

	Current [A]	Voltage [V]	Group	AWG	[Nm]
	10	300	B,D	22 - 14	0,4 [2]
	10	300	B,D,E	26 - 12	0,4 [1][2]

[1] for 302-NSTB-DS: 26 - 14 AWG

[2] When mounted on a suitable insulated surface, on standoffs or equivalent means.

### Options / Accessories

- Marking options on the screw guides
- Jumper 302-J
- Moulding made of special polyamide for e.g. household appliances
- Screws made out of brass
- Leading socket for the protective conductor pole

## X-ON Electronics

Largest Supplier of Electrical and Electronic Components

*Click to view similar products for [Pluggable Terminal Blocks](#) category:*

*Click to view products by [Weco](#) manufacturer:*

Other Similar products are found below :

[57.510.0053](#) [721-104/026-047](#) [721-204/026-045](#) [MC 1.5/ 6-ST-3.5 GY AU](#) [ET02015000J0G](#) [860505](#) [860516](#) [860810](#) [GBPACX-12](#)  
[93.731.4953.0](#) [PVP03-3,50](#) [PVS02-5,00](#) [1-1986160-3](#) [1377680000](#) [1531000000](#) [1546228-5](#) [ELFP03110](#) [ELFP10210](#) [ELFT07250](#)  
[ELVD12100](#) [ELVF09400](#) [ELXH071G0E](#) [1725220000](#) [1760336](#) [1855000000](#) [19346](#) [1946309](#) [1973592](#) [19892](#) [25.320.4053.1](#) [25.320.4553.9](#)  
[25.320.4753.1](#) [25.320.5453.1](#) [25.340.0353.1](#) [25.340.1053.1](#) [25.345.3553.0M001](#) [25.640.3553.1](#) [SH02-5,08](#) [SH06-3,81](#) [SH08-5,08](#) [SH08-](#)  
[5,08-K](#) [SH12-5,08](#) [SHS04-5,00](#) [30.303](#) [30.305](#) [30.306](#) [PHP09-5,08](#) [25.193.0453.0](#) [25.320.4653.1](#) [25.332.2453.1](#)