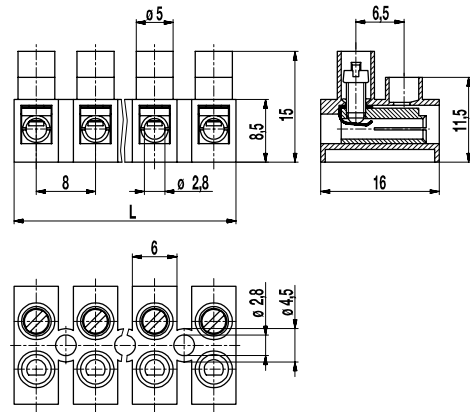


302-STB(-DS)

Plug-in terminal strip
Screw connection & socket



GENERAL INFORMATION

Pitch	8 mm
No. of poles	2 - 12
Usable with	302-STB(-DS)
Areas of application	This terminal strip is well suited for applications that require to easily open and close not energised circuits.

TECHNICAL DATA

Clamping Range	<i>solid / stranded / AWG</i>		
without wire protector	0,5 - 4 mm ² / 0,5 - 2,5 mm ² / 20 - 12 AWG		
with wire protector	0,34 - 2,5 mm ² / 0,34 - 1,5 mm ² / 22 - 14 AWG		
Rated Cross Section	1,5 mm ²		
Wire Stripping Length	6 mm ± 0,5 mm		
Overvoltage Category	III	III	II
Pollution Severity Level	3	2	2
Rated Voltage	200 V	320 V	630 V
Rated Impulse Voltage	4 kV	4 kV	4 kV
Rated Insulation Voltage	450 V acc. to EN 60998-1		
Rated Current	6 A		
Torque	0,4 Nm		
Other specifications	Rated values apply to use in combination with 302-STB(-DS) and without insulated substrates.		

APPROVALS

	Current [A]	Voltage [V]	Group	AWG	[Nm]
	6	300	B,D	20 - 14	0,4
	10	300	B,D,E	26 - 12	0,4 [1]

CONFIGURATIONS

Version	Poles	Item	Article number	Item	Article number	Length (L)	PU
Standard	2	302-STB/02	32.820.009	302-STB-DS/02	52.820.009	15,00 mm	1000
Standard	3	302-STB/03	33.820.009	302-STB-DS/03	53.820.009	23,00 mm	1000
Standard	4	302-STB/04	34.820.009	302-STB-DS/04	54.820.009	31,00 mm	500
Standard	5	302-STB/05	35.820.009	302-STB-DS/05	55.820.009	39,00 mm	500
Standard	6	302-STB/06	36.820.009	302-STB-DS/06	56.820.009	47,00 mm	80
Standard	7	302-STB/07	37.820.009	302-STB-DS/07	57.820.009	55,00 mm	60
Standard	8	302-STB/08	38.820.009	302-STB-DS/08	58.820.009	63,00 mm	70
Standard	9	302-STB/09	39.820.009	302-STB-DS/09	59.820.009	71,00 mm	60
Standard	10	302-STB/10	40.820.009	302-STB-DS/10	60.820.009	79,00 mm	40
Standard	11	302-STB/11	41.820.009	302-STB-DS/11	61.820.009	87,00 mm	40
Standard	12	302-STB/12	42.820.009	302-STB-DS/12	62.820.009	94,00 mm	40

MATERIAL

Moulding	PA, natural, V-2
Comparative Tracking Index	CTI ≥ 600
Insulating Group	I
Temperature Range	-40°C up to 100°C
Terminal body	Nickel plated brass
Screw	M2,6; zinc plated steel, blue passivated
Wire protector	Tin plated tin bronze

OPTIONS / ACCESSORIES

- Marking options on the screw guides
- Jumper 302-J
- Moulding made of special polyamide for e.g. household appliances
- Screws made out of brass
- Leading socket for the protective conductor pole
- With pegs at the base for saving assembly time

[1] for 302-STB-DS: 26 - 14 AWG



X-ON Electronics

Largest Supplier of Electrical and Electronic Components

Click to view similar products for [Fixed Terminal Blocks](#) category:

Click to view products by [Weco](#) manufacturer:

Other Similar products are found below :

[MBE-1512](#) [MBE-1520](#) [MBE-154](#) [MBE-156](#) [MBES-156](#) [MH-2512](#) [MHE-132](#) [MHE-163](#) [MI-254 \(35\)](#) [MPT-275](#) [ELM10110G](#) [BA311TU](#)
[BA411SU](#) [MV-254-D](#) [MV-255](#) [MV-493](#) [MVE-252](#) [MVE-253](#) [MVEB-153](#) [1705142](#) [1-796689-8](#) [1841320000](#) [S451](#) [29.007](#) [29.116](#) [30.204](#)
[30.503](#) [30.756](#) [30.853](#) [9872-0-00-15-00-00-33-0](#) [996750](#) [1710052](#) [20020316-G071B01LF](#) [20020327-C061B01LF](#) [29590](#) [30.652](#) [30.710](#)
[30.754](#) [30.757](#) [32.058](#) [37.206](#) [37.208](#) [37.507](#) [37.558](#) [38331-5812](#) [38331-8018](#) [38540-1910](#) [39.002](#) [MBE-1517](#) [MBE-153](#)